

# DATASHEET

S01.01.02.354\_MAXWELL-SL-8-T4

## Street Lighting:

IESNA TYPE IV beam .

50 x 50 mm. 2x3+2 arrays for 5050 size LED packages.

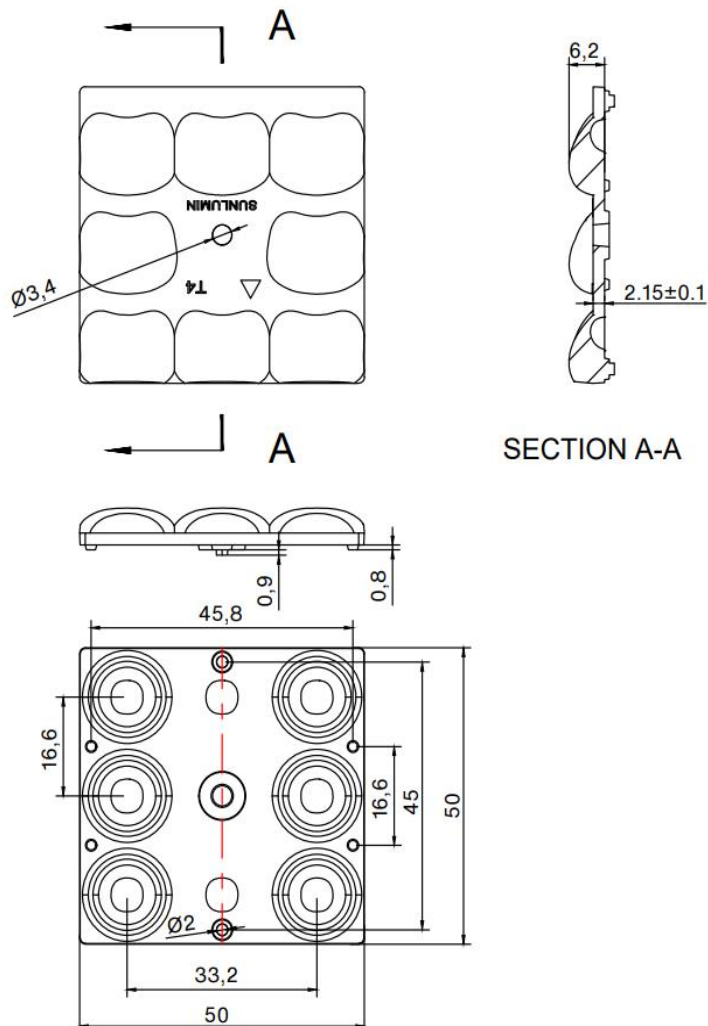
### 1.General Information

Lens Material	: PMMA
Size	: 50X50mm
typ.FWHM	: Asymmetric
Design LED	: Cree JX5050 4000K
Compatibility	: 5050/3030/2835/3535
typ.Efficiency	: 83%
Fasten	: Screw
IP class	: N/A
Zhaga	: YES
RoHS	: YES
Color	: Clear



### 2.MECHANICAL SPECIFICATION

UNIT:mm



Dimensions with unmarked tolerances refer to GBT14486 tolerance table.

### 3. OPTICAL RESULTS

#### 1) PHOTOMETRIC DATA(MEASURED):



LED model Luxeon 5050 SQUARE

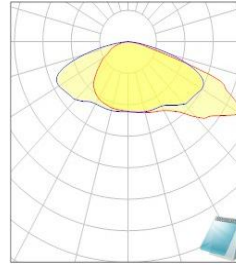
Light colour White

LEDs/each optic 1

FWHM Asymmetric

Required components:

Glass



#### 2) PHOTOMETRIC DATA(MEASURED):



LED model JR 5050 ROUND

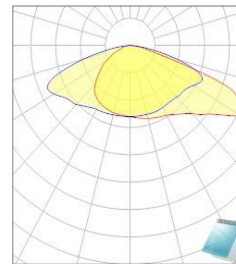
Light colour White

LEDs/each optic 1

FWHM Asymmetric

Required components:

Glass



#### 3) PHOTOMETRIC DATA(MEASURED):



LED model Luxeon 5050 SQUARE

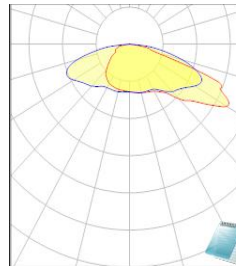
Light colour White

LEDs/each optic 1

FWHM Asymmetric

Required components:

N/A



### 4.Usage and Maintenance

- 1) If necessary, clean lenses with mild soap, water and soft cloth.
- 2) Never use any commercial cleaning solvents on lenses, like alcohol.
- 3) Please handle lens with wearing gloves, skin oils may damage lens or its optical characteristic.

### 5.Note

Please test the data again before using. The chart data is for reference only.

The appearance and specifications of the product can be changed to improve the quality and/or performance without notice.

SUNLUMIN OPTICS CO., LTD

5010, Plant 2, No.30, Liuhe Road, Liuyue Community,  
Henggang Str, Longgang District, Shenzhen

E info@sunlumin-optics.com

www sunlumin.com  
www sunlumin-optics.com