

**TO : Customer**

**DATE : 2019.01.23**

**GREEN C&C TECH Co.,Ltd  
65, Jinwisandan-ro, Jinwi-myeon,  
Pyeongtaek-si, Gyeonggi-do  
KOREA 451-861  
TEL : 82-31-373-3623~3625  
FAX : 82-31-373-3610**

# **DOCUMENTATION FOR APPROVAL**

**PRODUCT : LED BACKLIGHT DRIVER (ROHS)  
MODEL NAME : GH812A(P1)  
GCCT NAME : GCCT812PA**

<b>APPROVAL</b>	<b>CHECKED</b>	<b>WRITTEN</b>

**PLEASE RETURN ONE DOCUMENT AFTER APPROVED SIGN.**

GREEN C&C TECH	<b>LED DRIVER SPECIFICATION</b> <b>GH812A(P1)</b>	Publishing Date Reforming Date	2019.01.23
----------------	--	-----------------------------------	------------

NO	Date	REVISION	Page
REVISION HISTORY			

REV.														
Page														
REV.	0	0	0	0	0									
Page	1	2	3	4	5									
Page Rev.											0	Page	1	

GREEN C&C TECH	LED DRIVER SPECIFICATION GH812A(P1)	Publishing Date	2019.01.23
		Reforming Date	

## 1. APPLICATION

This Document Specified The Detailed Product Requirement of LED driver  
GH812A(P1)

## 2. SUITABLE LOAD

LCD MODULE : 16 Strings LED BLU

## 3. ELECTRICAL CHARATERISTICS

### 3.1. Absolute Maximum Ratings

Item	Symbol	Spec.	Unit	Remarks
Input Voltage 1	VIN	21.6~26.4	V	
Input Voltage 2	ON/OFF	5.25	V	
Operating Temperature	Top	0~60	℃	
Storage Temperature	Tstg	-20~60	℃	
Relative Humidity	RH	80	%	

### 3.2. Control Signal

PIN No.	Symbol	Status	Action	Remarks
CN1 #12	ON/OFF	HIGH	LED - ON	2.4 ~ 5.25V
		LOW	LED - OFF	0.8 V Max

GREEN C&C TECH	LED DRIVER SPECIFICATION GH812A(P1)	Publishing Date	2019.01.23
		Reforming Date	

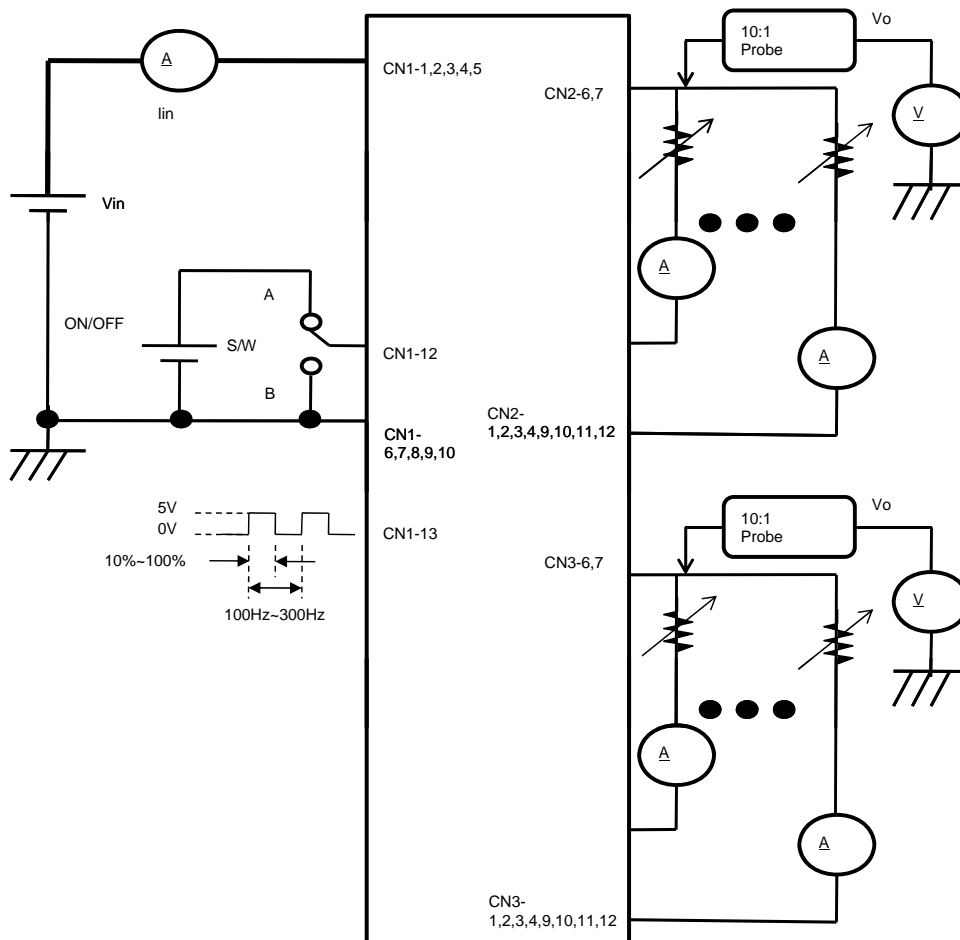
### 3.3. Output Characteristics

Item	Sym.	Condition	Min.	Typ.	Max.	Unit
Input Voltage	Vin	-	21.6	24.0	26.4	Vdc
Input Current	Iin	Vin=24V, Dim=100%	-	-	3.5	A
Output Current	Iout (max)	Vin=24V, Dim=100%	135.0	150.0	165.0	mAmean
PWM Signal	Vpwm	High(ON)	2.4	-	5.25	V
	Vpwm	Low(OFF)	-0.3	-	0.8	
	Fpwm	-	100	-	300	Hz
	DUTY	Active High Level	10 (Min)	-	100 (Max)	%

\* Output Voltage is greater than Input Voltage for at least 3V or more.

\* Duty of the PWM Signal has to be more than 1% at step 1 of Brightness.

### 3.4. Test Circuit



GREEN C&C TECH	<b>LED DRIVER SPECIFICATION</b> <b>GH812A(P1)</b>	Publishing Date Reforming Date	2019.01.23
----------------	--	-----------------------------------	------------

#### 4. INTERFACE

4.1 CN1 Connector (INPUT) : 20022WR-14AML (YEONHO) OR Equivalent

PIN No.	Symbol	Description
1,2,3,4,5	VIN	Voltage Input : 24V (typ.)
6,7,8,9,10	GND	Ground
11,14	N.C	No Connection
12	ON/OFF	LED DRIVER ON/OFF Control
13	DIM	10 ~ 100% (100Hz~300Hz PWM Freq.)

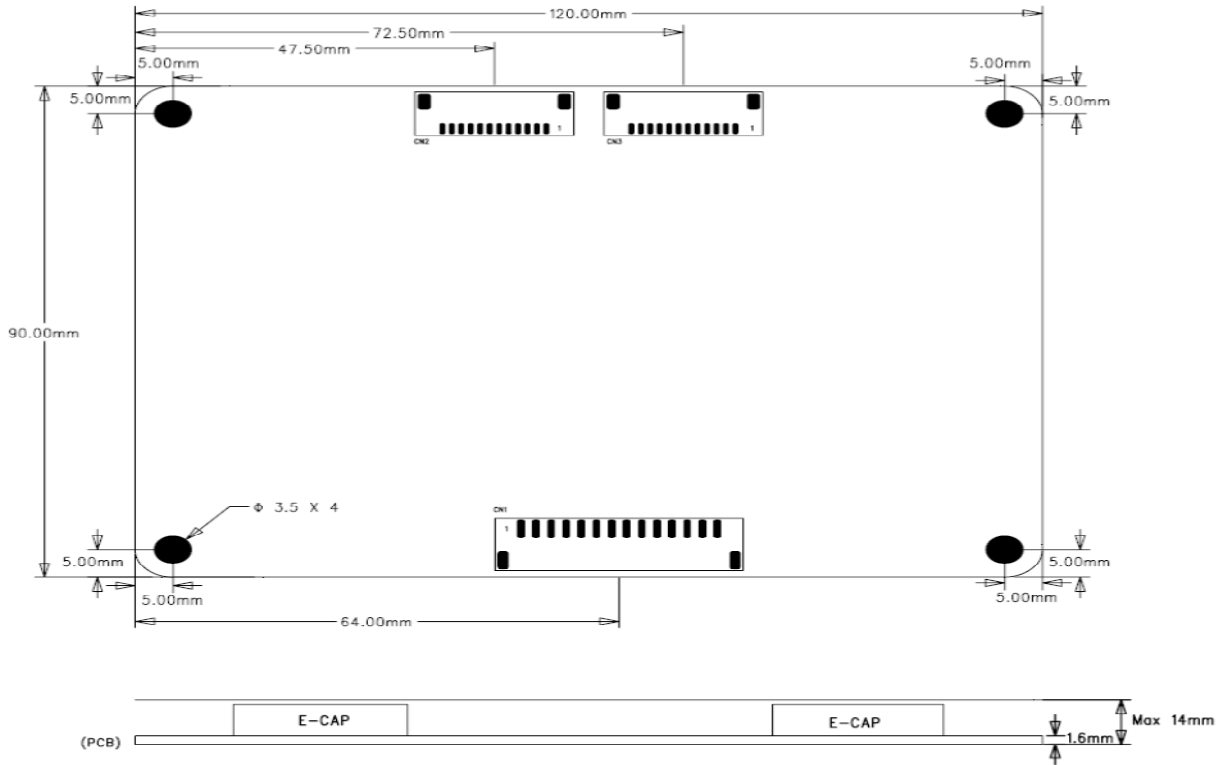
4.2 CN2,CN3 Connector (OUTPUT) : 12507WR-12L (YEONHO) OR Equivalent

PIN No.	Symbol	Description
1	FB1	Feedback1
2	FB2	Feedback2
3	FB3	Feedback3
4	FB4	Feedback4
5	N.C	No Connection
6	VLED	System Output
7	VLED	System Output
8	N.C	No Connection
9	FB5	Feedback5
10	FB6	Feedback6
11	FB7	Feedback7
12	FB8	Feedback8

GREEN C&C TECH	<b>LED DRIVER SPECIFICATION</b> <b>GH812A(P1)</b>	Publishing Date Reforming Date	2019.01.23
----------------	--	-----------------------------------	------------

### 5. APPERANCE (Unit : mm)

(Tolerance : +0.8mm, -0.2mm)



### 6. NOTATION OF LOT NUMBER

MARKING : TOP



GH812A(P1)	: USER MODEL CODE
G	: MANUFACTURER CODE (GREEN C&C TECH.)
9	: YEAR OF PRODUCT 3 → 2013 , 4 → 2014 , ... , 9 → 2019
04	: WEEK OF PRODUCT 01,02,03,04,...52
A	: PUBLICATION NUMBER A,B,C,...,Z,0,1,2,...,9
0001	: SERIAL NUMBER 0001,0002.....9998,9999
PA	: GCCT MODEL CODE ( GCCT812PA )