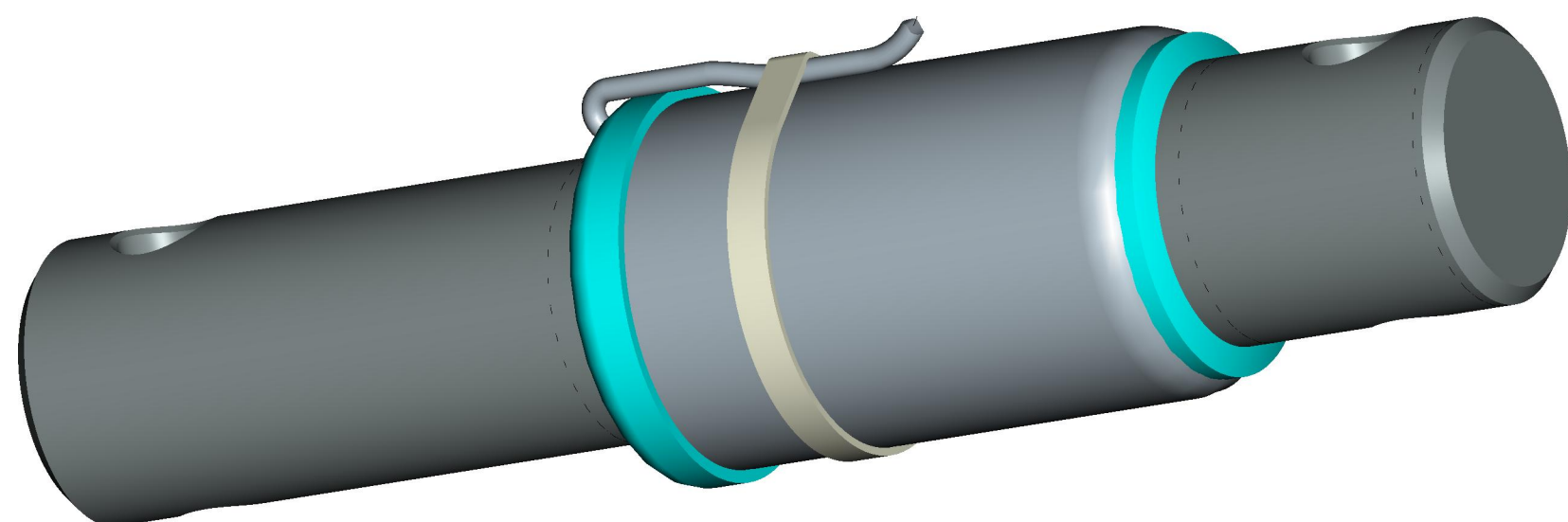


Bushing Tolerance
 $\phi 54 +0.2/+0.3$



This documents is for reference, dimensions are subject to change.

ALL RIGHTS OF THE PROJECT STRICTLY RESERVED TO DINAMICA GENERALE. REPRODUCTION OR ISSUE TO THIRD PARTIES IN ANY FORM WHATEVER IS, NOT PERMITTED WITHOUT WRITTEN AUTHORIZATION FROM DINAMICA GENERALE

INPUT +	RED
INPUT -	BLACK
OUTPUT +	GREEN
OUTPUT -	WHITE

SPECIFICATIONS	STATIC	MOBILE
RATED LOAD (LBS)	13559	9039
RATED LOAD (Kg)	6150	4100
RATED OUTPUT (mV/V)	1.44	0.96

INPUT IMPEDENCE (Ω)	350/380
OUTPUT IMPEDENCE (Ω)	350 ± 1
MAXIMUM EXCITATION (V)	15
INSULATION ($M\Omega$)	≥ 5000
OPERATING TEMPERATURE RANGE ($^{\circ}C$)	-45/+70
GRADE OF PROTECTION	IP 68

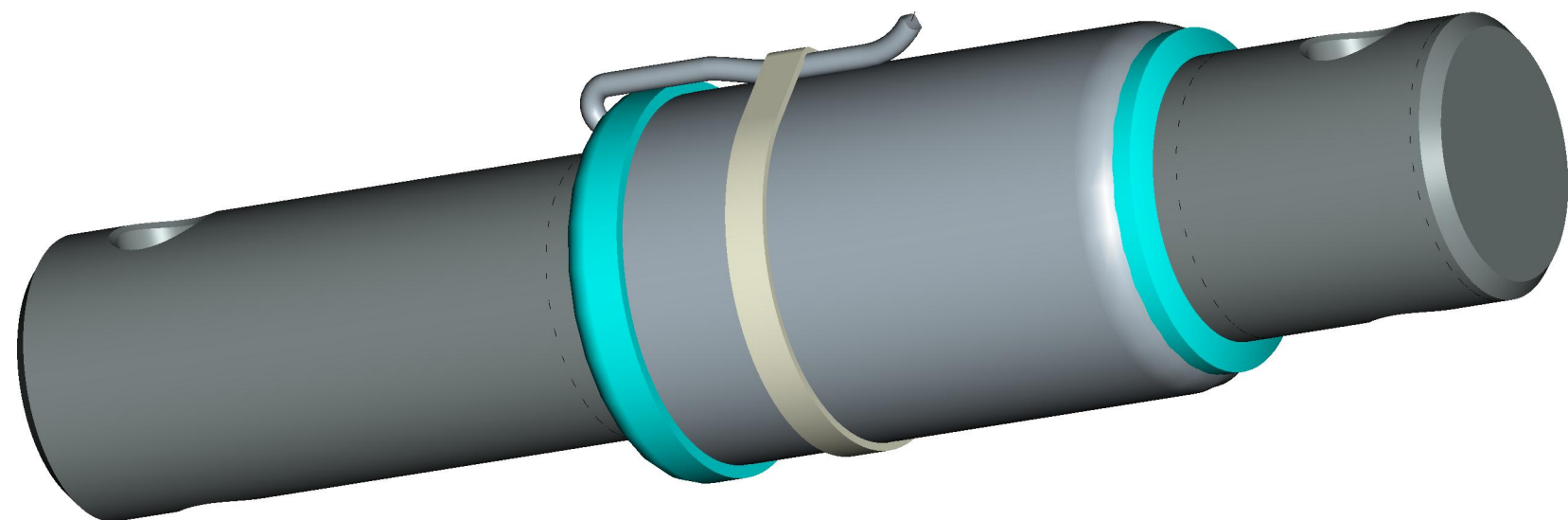
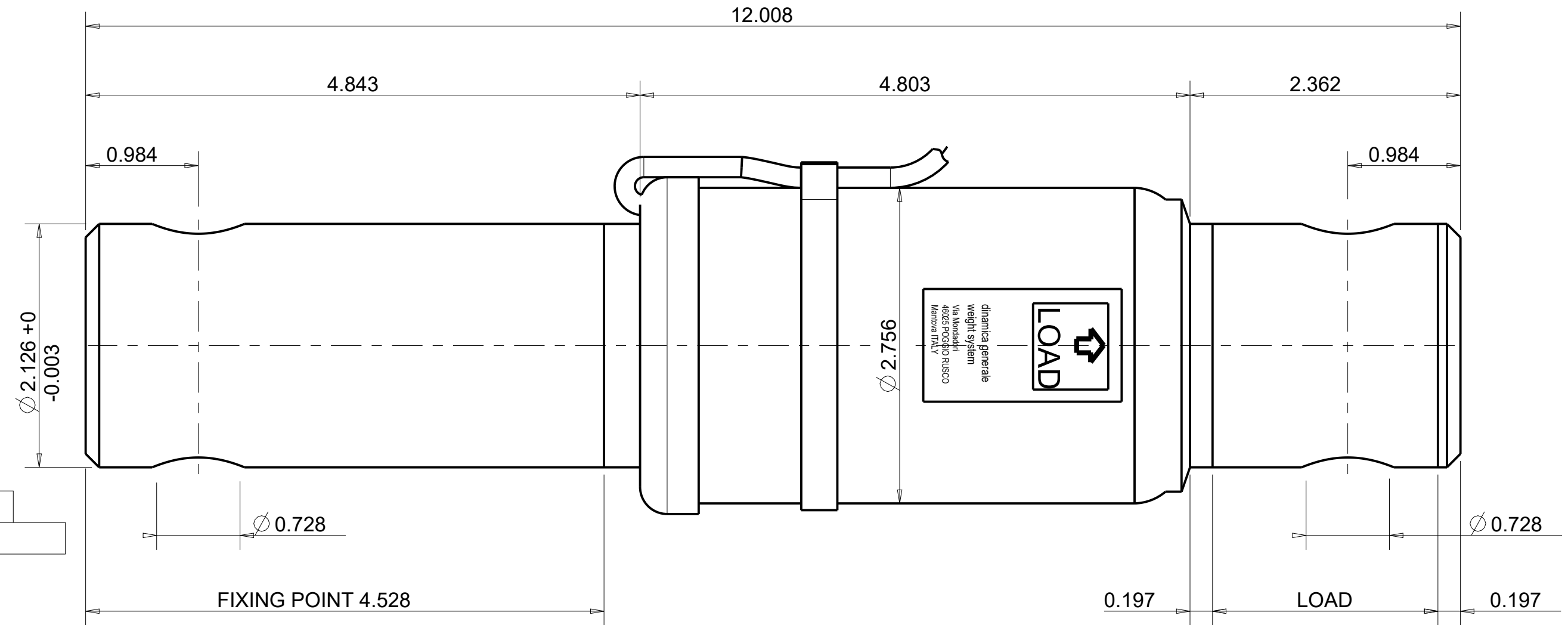
PART CODE	CABLE LENGHT		CABLE TERMINATION
	FT	m	
969-0233	30.2	9.2	SPM

SEE DOCUMENT DGCG01 FOR ADDITIONAL CABLE INFORMATIONS
 SEE DOCUMENT DGMG01 FOR ADDITIONAL MOUNTING GUIDELINES

REV.	MOD.N.	DATE	SIGNATURE	DESCRIPTION	SCALE									
C	-	-	-	-	A2									
B	A1	09/08/16	M.B.	Aggiornamento fdm 189-16	1/1									
A	A0	04/05/11	M.B.	Emissione disegno										
<table border="1"> <thead> <tr> <th>*DRAWN</th> <th>*CHECKED</th> <th>*APPROVED</th> </tr> </thead> <tbody> <tr> <td>04/05/2011</td> <td>04/05/2011</td> <td>04/05/2011</td> </tr> <tr> <td>M.BRESCIANI</td> <td>A.ZENNARO</td> <td>M.GILLI</td> </tr> </tbody> </table>					*DRAWN	*CHECKED	*APPROVED	04/05/2011	04/05/2011	04/05/2011	M.BRESCIANI	A.ZENNARO	M.GILLI	UNSPECIFIED TOLLERANCES
*DRAWN	*CHECKED	*APPROVED												
04/05/2011	04/05/2011	04/05/2011												
M.BRESCIANI	A.ZENNARO	M.GILLI												
<table border="1"> <tr> <td>WEIGHT</td> <td>5.362</td> <td>*REFER TO ORIGINAL DRAWING IF SIGNATURE ARE PRINTED</td> </tr> </table>					WEIGHT	5.362	*REFER TO ORIGINAL DRAWING IF SIGNATURE ARE PRINTED	ROUGHNESS						
WEIGHT	5.362	*REFER TO ORIGINAL DRAWING IF SIGNATURE ARE PRINTED												
DESCRIPTION					THE COPY OF THIS DRAWING MUST BE APPROVED BY DINAMICA GENERALE									
MOBILE Load Cell DG8500/54-AB C=9.2m + SPM_DG														
CODE			969-0233	REV. A1										


 DINAMICA GENERALE
 Weight Systems
 46025 Poggio Rusco (MN)
 Via Mondadori, 15
 Tel. ++39 0386.52134
 Fax ++39 0386.51523

MEASURES EXPRESSED IN INCHES



This documents is for reference, dimensions are subject to change.

ALL RIGHTS OF THE PROJECT STRICTLY RESERVED TO DINAMICA GENERALE. REPRODUCTION OR ISSUE TO THIRD PARTIES IN ANY FORM WHATEVER IS, NOT PERMITTED WITHOUT WRITTEN AUTHORIZATION FROM DINAMICA GENERALE

INPUT +	RED
INPUT -	BLACK
OUTPUT +	GREEN
OUTPUT -	WHITE

SPECIFICATIONS	STATIC	MOBILE
RATED LOAD (LBS)	13559	9039
RATED LOAD (Kg)	6150	4100
RATED OUTPUT (mV/V)	1.44	0.96

INPUT IMPEDENCE (Ω)	350/380
OUTPUT IMPEDENCE (Ω)	350 \pm 1
MAXIMUM EXCITATION (V)	15
INSULATION ($M\Omega$)	\geq 5000
OPERATING TEMPERATURE RANGE ($^{\circ}C$)	-45/+70
GRADE OF PROTECTION	IP 68

PART CODE	CABLE LENGHT		CABLE TERMINATION
	FT	m	
969-0233	30.2	9.2	SPM

SEE DOCUMENT DGCG01 FOR ADDITIONAL CABLE INFORMATIONS
SEE DOCUMENT DGMG01 FOR ADDITIONAL MOUNTING GUIDELINES

C	-	-	-	-	SCALE	A2
B	A1	09/08/16	M.B.	Aggiornamento fdm 189-16		
A	A0	04/05/11	M.B.	Emissione disegno	SCALE	1/1
REV.	MOD.N.	DATE	SIGNATURE	DESCRIPTION	UNSPECIFIED TOLLERANCES	\pm 0.02
				*DRAWN: 04/05/2011 *CHECKED: 04/05/2011 *APPROVED: 04/05/2011 SIGNATURE: M.BRESCIANI, A.ZENNARO, M.GILLI	ROUGHNESS	
46025 Poggio Rusco (MN) Via Mondadori, 15 Tel. ++39 0386.52134 Fax ++39 0386.51523				WEIGHT: 11.797	*REFER TO ORIGINAL DRAWING IF SIGNATURE ARE PRINTED	
DESCRIPTION				MOBILE Load Cell DG8500/54-AB C=9.2m + SPM_DG		
CODE				969-0233	REV. A1	THE COPY OF THIS DRAWING MUST BE APPROVED BY DINAMICA GENERALE