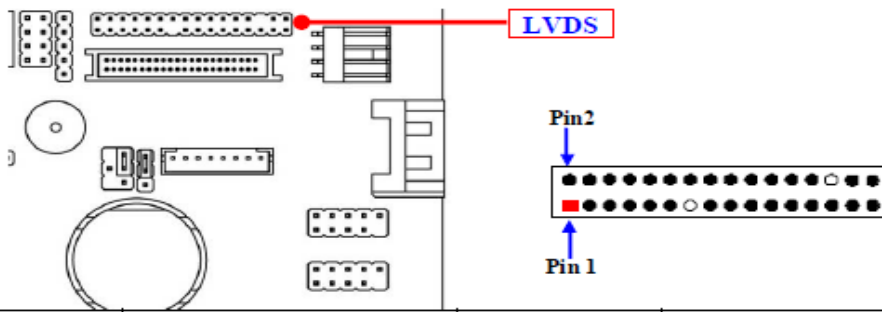


Part number	LVDS- FI-X30HL -DP2.0-2x16P-300-JW							
Type	Customer LVDS cable M170&M190 and N695 (Jetway)							
Length	300 mm							
Connector 1	FI-X30HL							
Connector 2	DP2.0-2x16P (2x16 pitch 2 mm)							
Connector 1		Connector 2			Connector 2 PC side			
FI-X30H		DP2.0-2x16P (2x16 pitch 2 mm)			DP2.0-2x16P (2x16 pitch 2 mm)			
1	OddDA0-	1	EvenDA3-	1	EvenDA3-	EvenDA3+	2	
2	OddDA0+	2	EvenDA3+	3	EvenClk-	EvenClk+	4	
3	OddDA1-	3	EvenClk-	5	EvenDA2-	EvenDA2+	6	
4	OddDA1+	4	EvenClk+	7	EvenDA1-	EvenDA1+	8	
5	OddDA2-	5	EvenDA2-	9	EvenDA0-	EvenDA0+	10	
6	OddDA2+	6	EvenDA2+	11			12	
7	GND	7	EvenDA1-	13		GND	14	
8	OddClk-	8	EvenDA1+	15	GND	GND	16	
9	OddClk+	9	EvenDA0-	17	OddDA3+	OddDA3-	18	
10	OddDA3-	10	EvenDA0+	19	OddClk+	OddClk-	20	
11	OddDA3+	11		21	OddDA2+	OddDA2-	22	
12	EvenDA0-	12		23	OddDA1+	OddDA1-	24	
13	EvenDA0+	13		25	OddDA0+	OddDA0-	26	
14	GND	14	GND	27			28	
15	EvenDA1-	15	GND	29	Vcc	Vcc	30	
16	EvenDA1+	16	GND	31	GND	GND	32	
17	GND	17	OddDA3+					
18	EvenDA2-	18	OddDA3-					
19	EvenDA2+	19	OddClk+					
20	EvenClk-	20	OddClk-					
21	EvenClk+	21	OddDA2+					
22	EvenDA3-	22	OddDA2-					
23	EvenDA3+	23	OddDA1+					
24	GND	24	OddDA1-					
25		25	OddDA0+					
26		26	OddDA0-					
27		27						
28		28						
29	Vcc	29	Vcc					
30	Vcc	30	Vcc					
		31	GND					
		32	GND					

length = 300 mm



Pin NO.	Pin Define	Pin NO.	Pin Define
Pin 1	E-DATAN3	Pin 2	E-DATAP3
Pin 3	E-CLKN	Pin 4	E-CLKP
Pin 5	E-DATAN2	Pin 6	E-DATAP2
Pin 7	E-DATAN1	Pin 8	E-DATAP1
Pin 9	E-DATAN0	Pin 10	E-DATAP0
Pin 11	DDC_SDA	Pin 12	DDC_SCL
Pin 13	XX	Pin 14	GND
Pin 15	GND	Pin 16	GND
Pin 17	O-DATAP3	Pin 18	O-DATAN3
Pin 19	O-CLKP	Pin 20	O-CLKN
Pin 21	O-DATAP2	Pin 22	O-DATAN2
Pin 23	O-DATAP1	Pin 24	O-DATAN1
Pin 25	O-DATAP0	Pin 26	O-DATAN0
Pin 27	LCD_VCC	Pin 28	XX
Pin 29	LCD_VCC	Pin 30	LCD_VCC
Pin 31	GND	Pin 32	GND