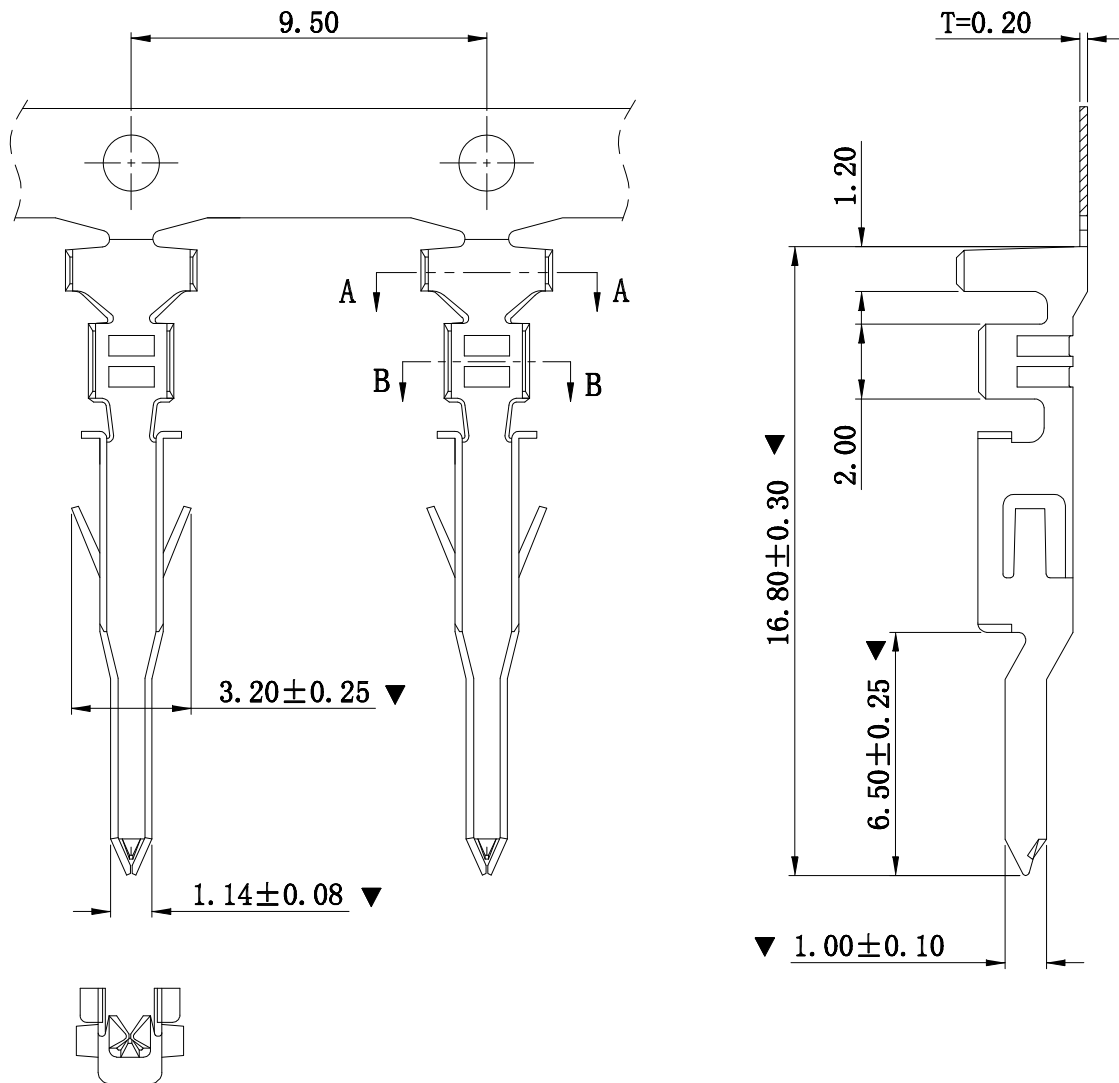


REV.	LOCAS.	DESCRIPTION	DATE	DRAWN
A	NEW	INTERIM INITIAL RELEASE.	2021.11.07	张汝楼



Specifications

Material : Brass

Wire Range : AWG#20-#24

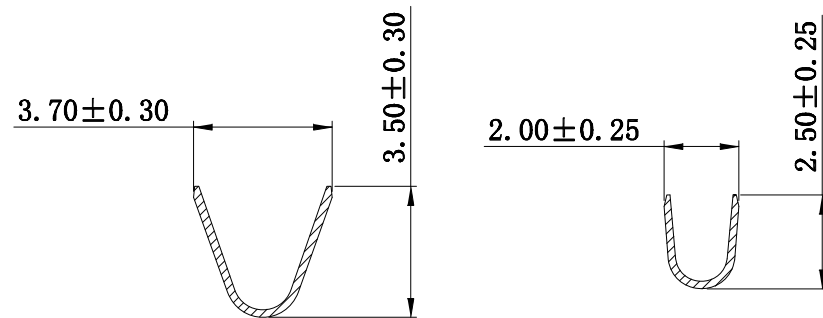
Insulation O. D. : 2.80mm(max)

Mating With:

Terminal:GHR242-HA

All materials must meet GREENCONN

hazardous substances control standards.



Ordering Information

GRR106 - 01 XX XX

Standard Plating
01=Tin

Materials
BD=Brass



Website: www.greenconn.com
E-mail: sales@greenconn.com

3RD.ANG
PROJ.
PAGE. 1/1

GENERAL TOLERANCE

X.*±/*	X.±/
.X*±/*	.X±0.35
.XX*±/*	.XX±0.25
.XXX*±/	.XXX±0.15

DESIGNED: 张汝楼

DATE: 2021.11.07

CHECKED:

DATE:

APPROVED:

DATE:

DWG. NO.

GRR106-T1

PART NO.

GRR106-0101BD

TITLE.

4.20mm Terminal

REV.	UNIT.	SCALE.
A	mm	1:1