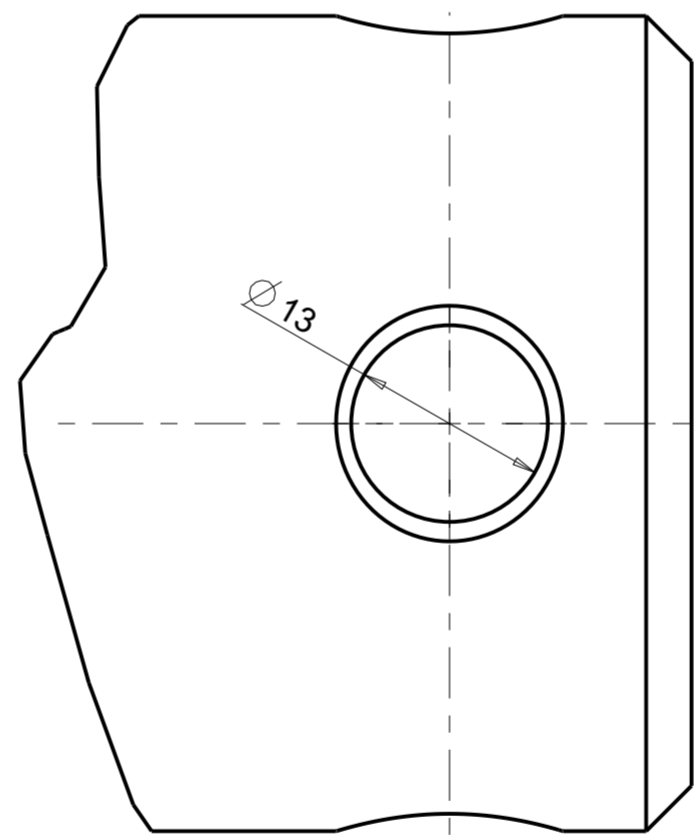
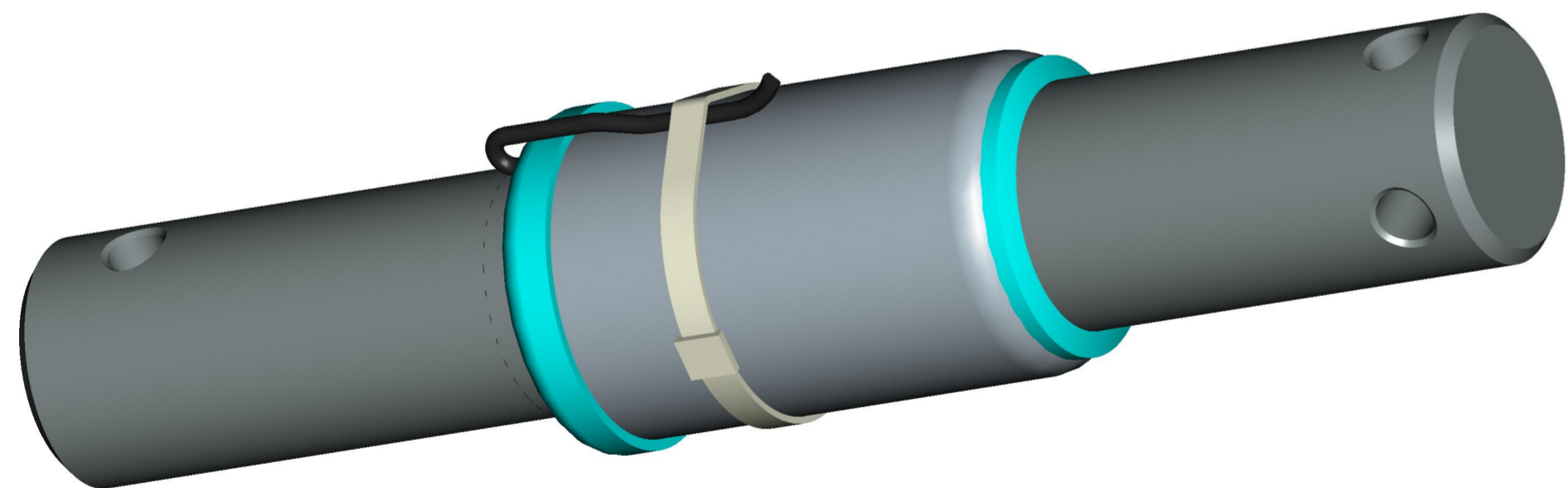


Bushing Tolerance  
 $\phi 54 +0.2/+0.3$



DETTAGLIO A  
 SCALA 2/1

This documents is for reference,  
 dimensions are subject to change.

ALL RIGHTS OF THE PROJECT STRICTLY  
 RESERVED TO DINAMICA GENERALE.  
 REPRODUCTION OR ISSUE TO THIRD  
 PARTIES IN ANY FORM WHATEVER IS,  
 NOT PERMITTED WITHOUT WRITTEN  
 AUTHORIZATION FROM DINAMICA GENERALE

INPUT +	RED
INPUT -	BLACK
OUTPUT +	GREEN
OUTPUT -	WHITE

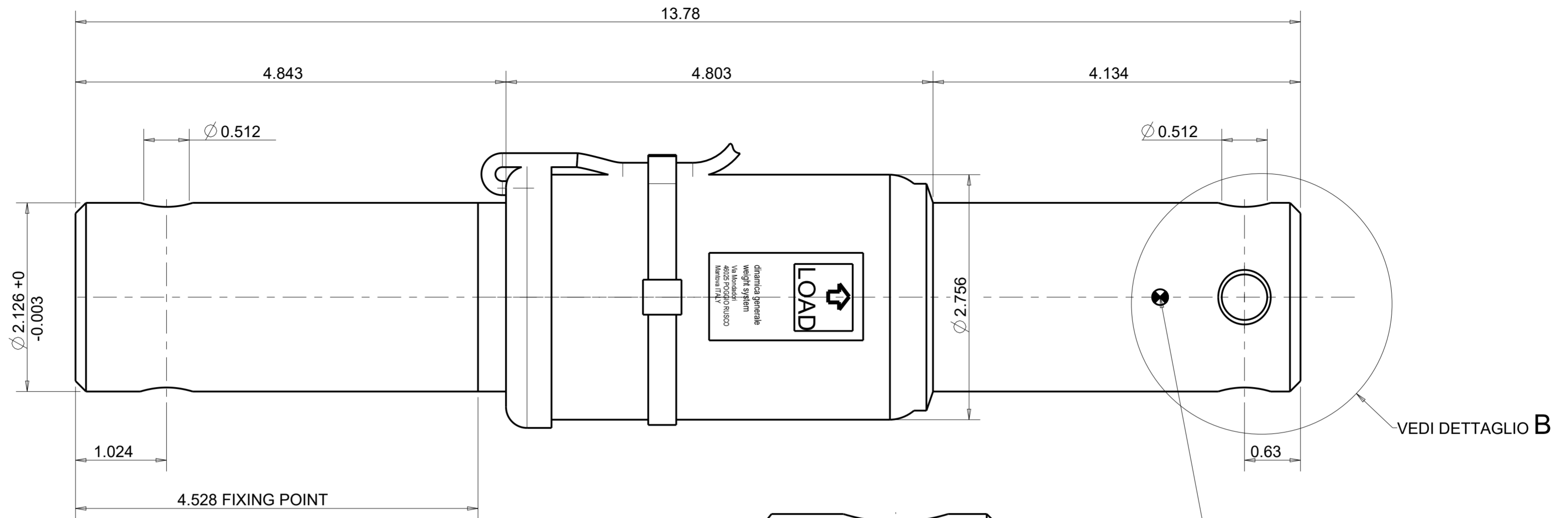
SPECIFICATIONS	STATIC	MOBILE
RATED LOAD (LBS)	13559	9039
RATED LOAD (Kg)	6150	4100
RATED OUTPUT (mV/V)	1.41	0.94

PART CODE	CABLE LENGHT		CABLE TERMINATION
	FT	m	
969-0078	21	6.5	ECP

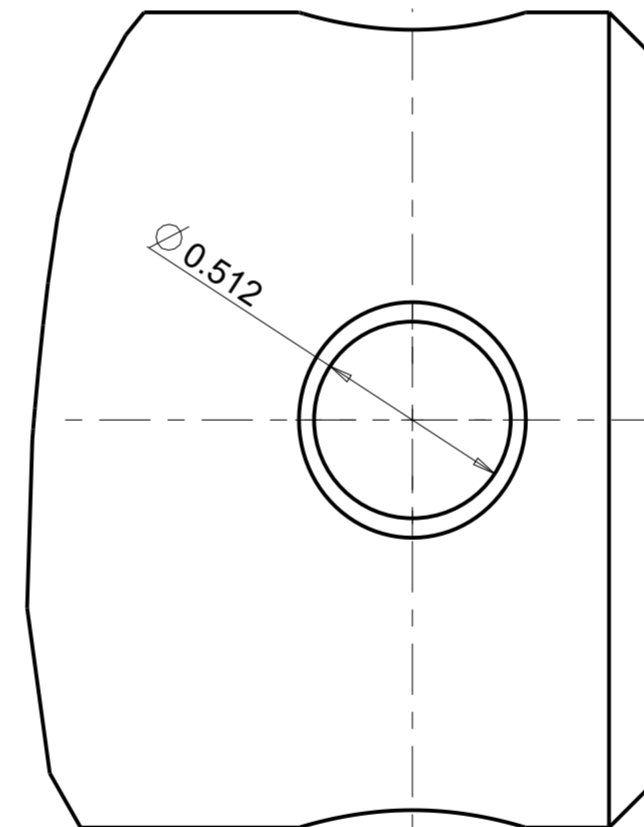
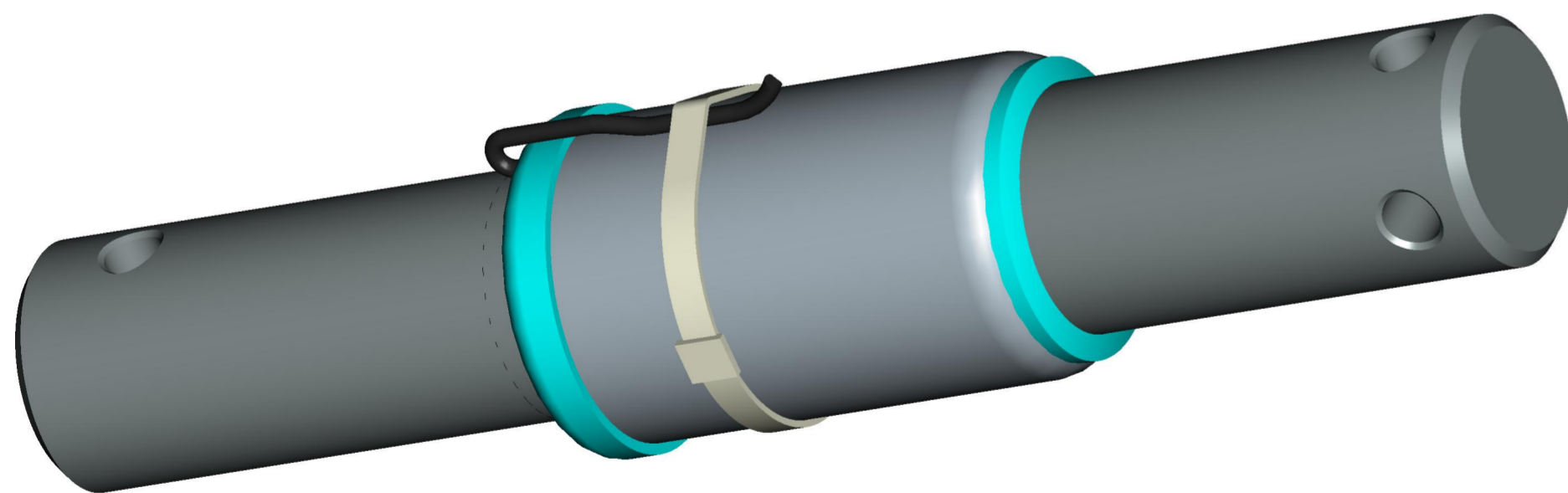
REV.	MOD.N.	DATE	SIGNATURE	DESCRIPTION	SCALE																												
D	A4	30/05/17	M.B.	Agg. fdm 146/17	A2																												
C	A3	29/10/14	M.B.	Aggiornamento protettivi																													
B	A2	02/11/10	M.B.	Sostituito cavo - standardizzazione codici																													
A	A1	10/01/13	M.B.	Rifatto e aggiornato																													
A	A1	10/01/13	M.B.	Rifatto e aggiornato																													
<table border="1"> <thead> <tr> <th>*DRAWN</th> <th>*CHECKED</th> <th>*APPROVED</th> <th>UNSPECIFIED TOLLERANCES</th> </tr> </thead> <tbody> <tr> <td>10/01/2013</td> <td>10/01/2013</td> <td>10/01/2013</td> <td>± 0.5</td> </tr> <tr> <td>M.BRESCIANI</td> <td>A. BARBI</td> <td>M. GILLI</td> <td>ROUGHNESS</td> </tr> <tr> <td colspan="2">WEIGHT [kg] 6.237</td> <td colspan="2">*REFER TO ORIGINAL DRAWING IF SIGNATURE ARE PRINTED</td> </tr> <tr> <td colspan="4">DESCRIPTION</td> </tr> <tr> <td colspan="4">MOBILE Load Cell DG8700/54-AA C=6.5m + ECP</td> </tr> <tr> <td colspan="2">CODE 969-0078</td> <td>REV. A4</td> <td>THE COPY OF THIS DRAWING MUST BE APPROVED BY DINAMICA GENERALE</td> </tr> </tbody> </table>					*DRAWN	*CHECKED	*APPROVED	UNSPECIFIED TOLLERANCES	10/01/2013	10/01/2013	10/01/2013	± 0.5	M.BRESCIANI	A. BARBI	M. GILLI	ROUGHNESS	WEIGHT [kg] 6.237		*REFER TO ORIGINAL DRAWING IF SIGNATURE ARE PRINTED		DESCRIPTION				MOBILE Load Cell DG8700/54-AA C=6.5m + ECP				CODE 969-0078		REV. A4	THE COPY OF THIS DRAWING MUST BE APPROVED BY DINAMICA GENERALE	1/1
*DRAWN	*CHECKED	*APPROVED	UNSPECIFIED TOLLERANCES																														
10/01/2013	10/01/2013	10/01/2013	± 0.5																														
M.BRESCIANI	A. BARBI	M. GILLI	ROUGHNESS																														
WEIGHT [kg] 6.237		*REFER TO ORIGINAL DRAWING IF SIGNATURE ARE PRINTED																															
DESCRIPTION																																	
MOBILE Load Cell DG8700/54-AA C=6.5m + ECP																																	
CODE 969-0078		REV. A4	THE COPY OF THIS DRAWING MUST BE APPROVED BY DINAMICA GENERALE																														

**DINAMICA GENERALE**  
 Weight Systems  
 46025 Poggio Rusco (MN)  
 Via Mondadori, 15  
 Tel. ++39 0386.52134  
 Fax ++39 0386.51523

MEASURES EXPRESSED IN INCHES



Bushing Tolerance  
 $\varnothing 2.126 +0.008/+0.012$



DETTAGLIO B  
 SCALA 2/1

This documents is for reference, dimensions are subject to change.

ALL RIGHTS OF THE PROJECT STRICTLY RESERVED TO DINAMICA GENERALE. REPRODUCTION OR ISSUE TO THIRD PARTIES IN ANY FORM WHATEVER IS, NOT PERMITTED WITHOUT WRITTEN AUTHORIZATION FROM DINAMICA GENERALE

INPUT +	RED
INPUT -	BLACK
OUTPUT +	GREEN
OUTPUT -	WHITE

SPECIFICATIONS	STATIC	MOBILE
RATED LOAD (LBS)	13559	9039
RATED LOAD (Kg)	6150	4100
RATED OUTPUT (mV/V)	1.41	0.94

PART CODE	CABLE LENGHT		CABLE TERMINATION
	FT	m	
969-0078	21	6.5	ECP

REV.	MOD.N.	DATE	SIGNATURE	DESCRIPTION	SCALE
D	A4	30/05/17	M.B.	Agg. fdm 146/17	A2
C	A3	29/10/14	M.B.	Aggiornamento protettivi	
B	A2	02/11/10	M.B.	Sostituito cavo - standardizzazione codici	
A	A1	10/01/13	M.B.	Rifatto e aggiornato	
SCALE 1/1					
UNSPECIFIED TOLLERANCES				± 0.02	
ROUGHNESS				-	
DINAMICA GENERALE Weight Systems 46025 Poggio Rusco (MN) Via Mondadori, 15 Tel. ++39 0386.52134 Fax ++39 0386.51523					
DESCRIPTION		MOBILE Load Cell DG8700/54-AA C=6.5m + ECP			
CODE		969-0078		REV. A4	
THE COPY OF THIS DRAWING MUST BE APPROVED BY DINAMICA GENERALE					