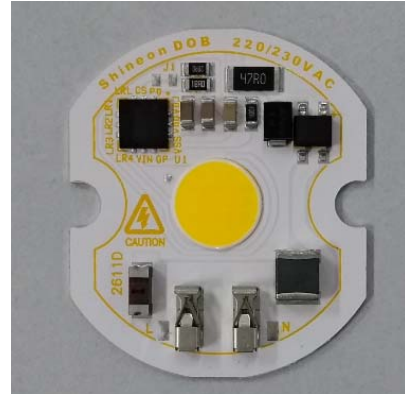


MDF-4437-500-H-HXXD-F21B Datasheet

Features

- Connects directly to AC line voltage
- High lumen efficacy
- Power factor >0.95 and low THD
- Triac dimming comply with NEMA SSL-7A
- Compliance with Zhaga (book3)
- Flip-Chip technology



Applications

- Directional
- Spot light
- Track Light

Electro-Optical Characteristics (Ta=25°C)

Part NO.	Vin (Vac)	Freq. (HZ)	CCT(K)	CRI	Power(W)			Flux(lm)	
					Min	Typ.	Max	Min	Typ.
MDF-4437-500-H-H10D-F21B	230	50	5000	>80	9.3	10	10.7	1150	1250
MDF-4437-500-H-H15D-F21B	230	50	5000	>80	14	15	16	1600	1750
MDF-4437-500-H-H20D-F21B	230	50	5000	>80	19	20	21	2100	2200

[1] Luminous flux is measured with an accuracy of $\pm 5\%$.

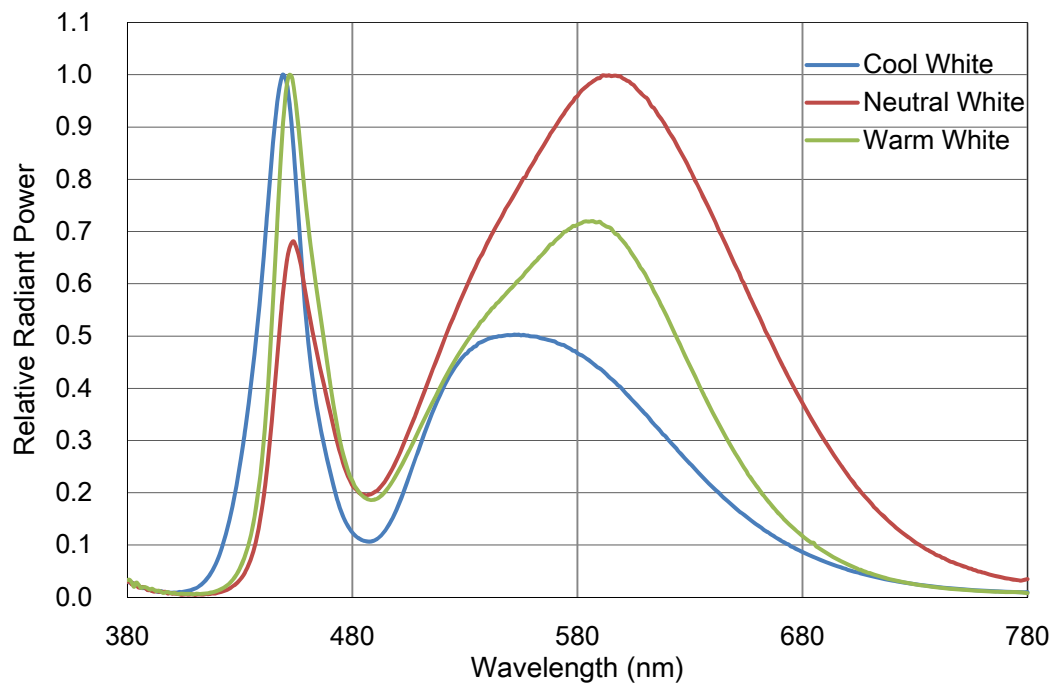
[2] Φ_v is the total luminous flux (Cold status) output measured with an integrated sphere.

[3] CRI is measured with an accuracy of ± 2 .

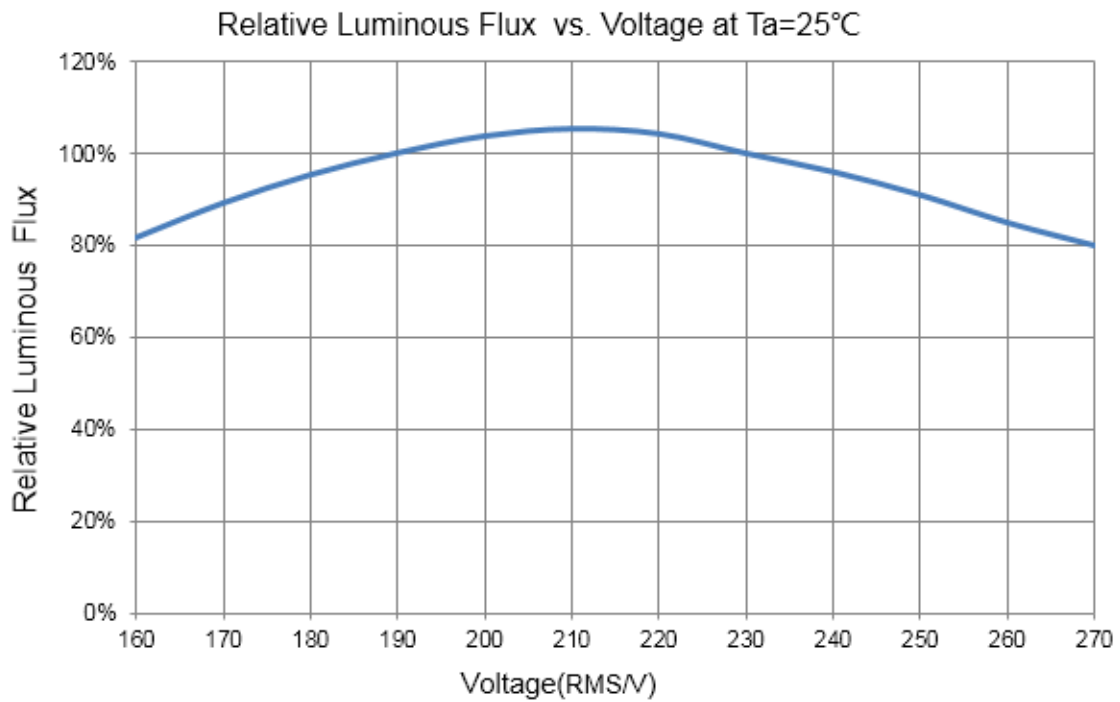
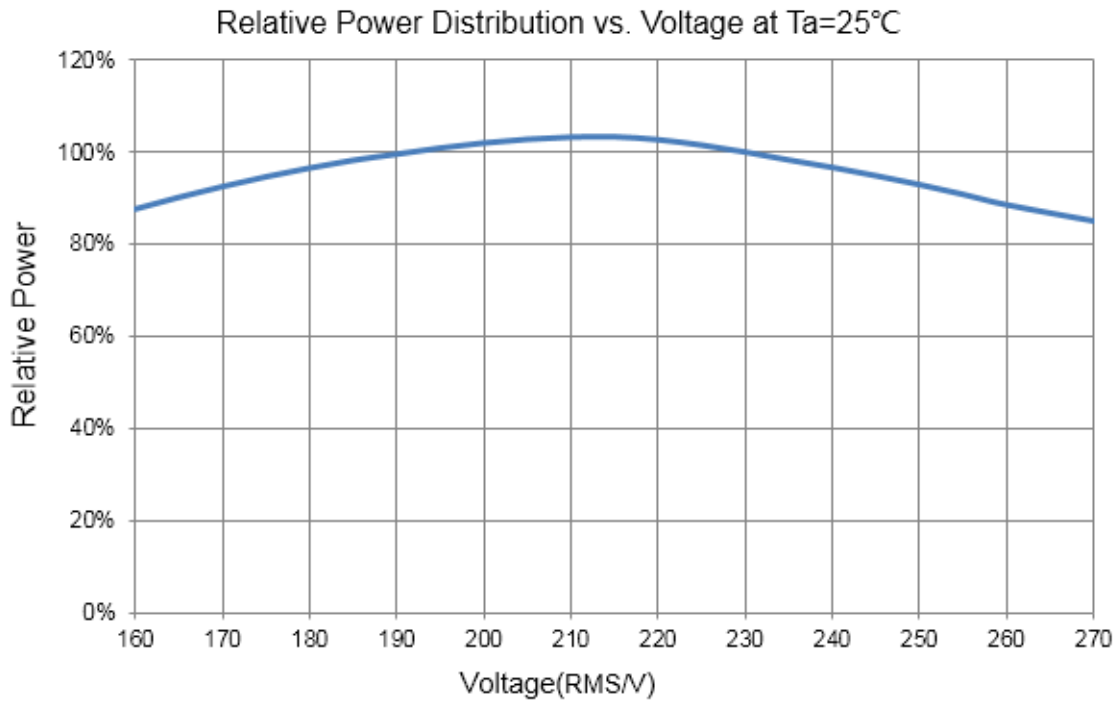
Absolute Maximum Ratings (Ta=25°C)

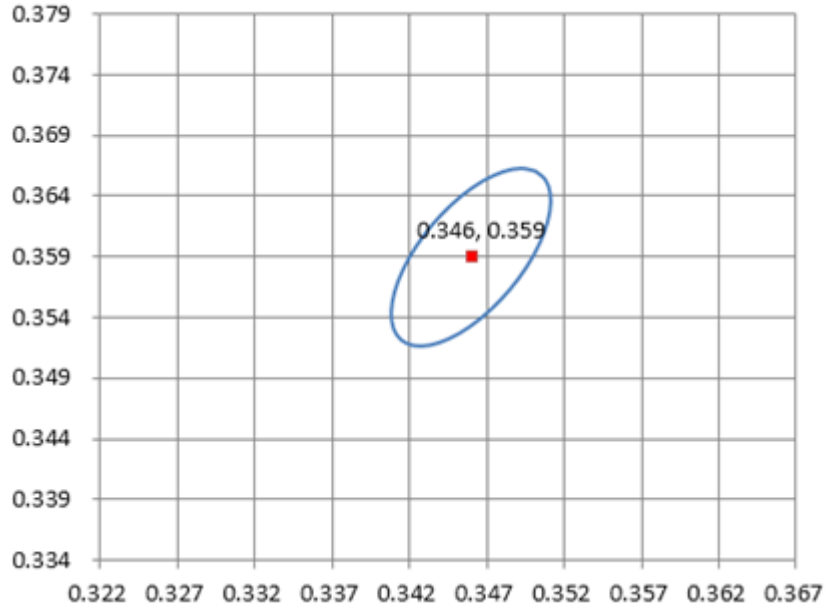
Parameter	Symbol	Value	Unit
Voltage	V _{opt}	253	Vac
LED Solder Temperature	T _s	-20~+85	°C
Storage Temperature	T _{stg}	-40~+100	°C
ESD Sensitivity(HBM)	--	±4000	V

Relative Spectral Distribution vs. Wavelength Characteristic



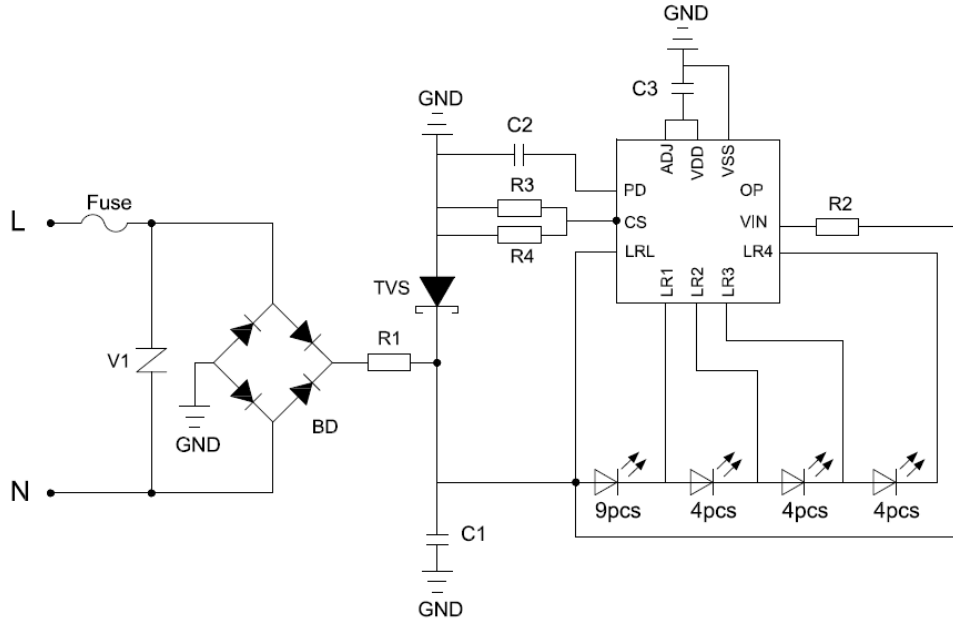
Power Characteristics



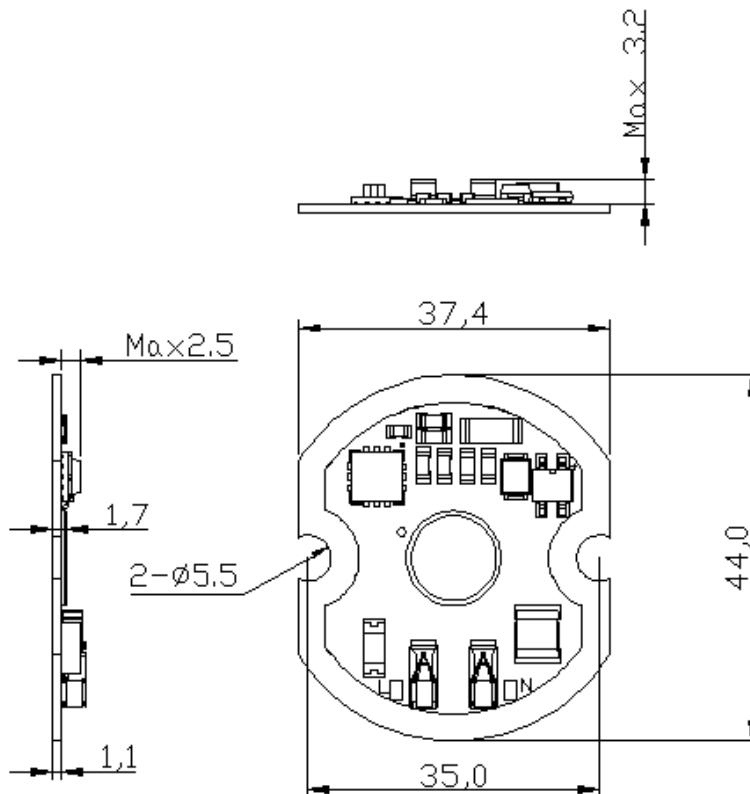


BIN CODE	CCT	Color Coordinates(x, y)				
		Center		Oval parameter		
500	5000K (3-STEP)	x	y	a	b	Theta°
				0.346	0.359	0.0082

Circuit Drawing

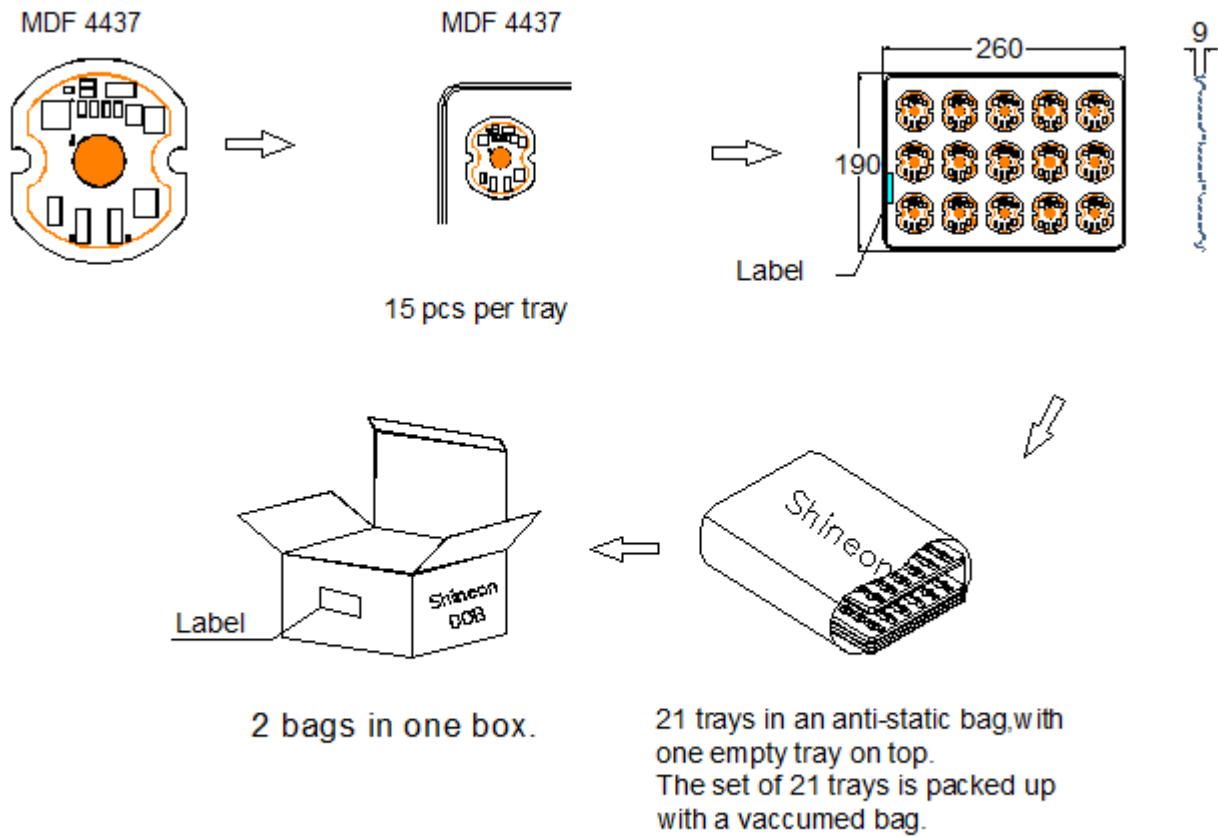


Outline dimensions



[1] All dimensions are in millimeters. (Tolerance : ± 0.2)

Packing



Notes:

Remove the protective film before use in the first time.

Precaution for use

- Please do not press the silicone resin area with objects such as finger, lens.
- DO NOT touch any of the circuit board, components or terminals with body or metal while circuit is active.
- DO NOT plug out from terminal while wire was plugged in.
- DO NOT peel the wire too long in case of the bare wire shorting to the aluminum substrate.