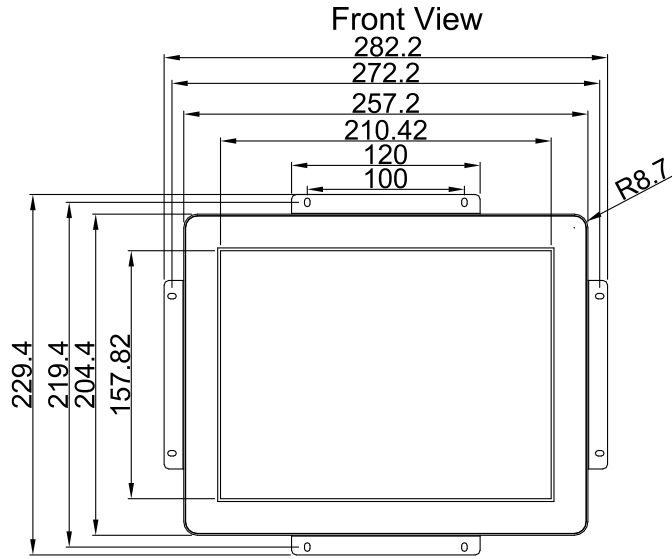
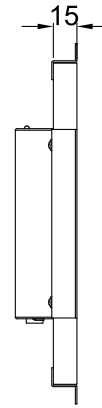


Ver.	Modify No.	Details	Area	P.I.C	Date

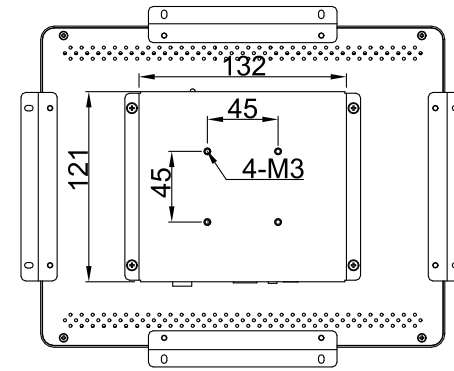
未注公差	金属	塑胶
0~6	±0.1	±0.05
>6~30	±0.1	±0.1
>30~120	±0.15	±0.15
>120~400	±0.2	±0.2
>400	±0.3	±0.3
角度	±0.5°	±0.5°
钣金未注折弯内角R<0.5		



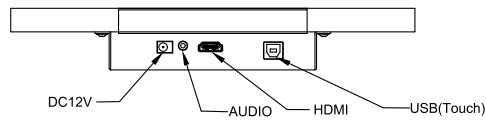
Side View



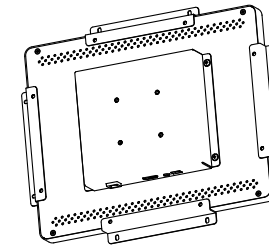
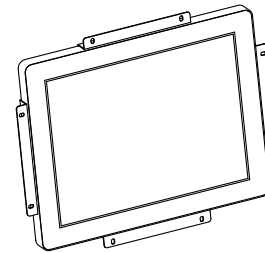
Back View



A



A View



Technical Datasheet:

1. LCD: TM104TDGP10-00
2. TP Controller IC: ILI2511
3. Surface Hardness: ≥6H
4. Light Transmittance: ≥85%
5. Working Temperature: -20℃~+70℃, ≤85%RH;
6. Storage Temperature: -20℃~+70℃, ≤85%RH;
7. All materials used conform to RoHS standards

Part No.		IPD-ITF-ETM-10.4-SN08		
Product Name:		Drawing No.	TM104240407SN08	
10.4 inch Touch Monitor Module		Project Code.	TM104SN08	
Business Unit:		Period Mark	View Angle	Ratio
SNT-IPD		A		1:1
Workmanship:	Yong.Xin	BOM Code	9.03.104.01.0101	Page 1
Standardization:	Link.Chen	Product Series		Total 1 Page
Released by:	Rocky.Liu	IPD-ETM		思诺泰科创电子(苏州)有限公司