

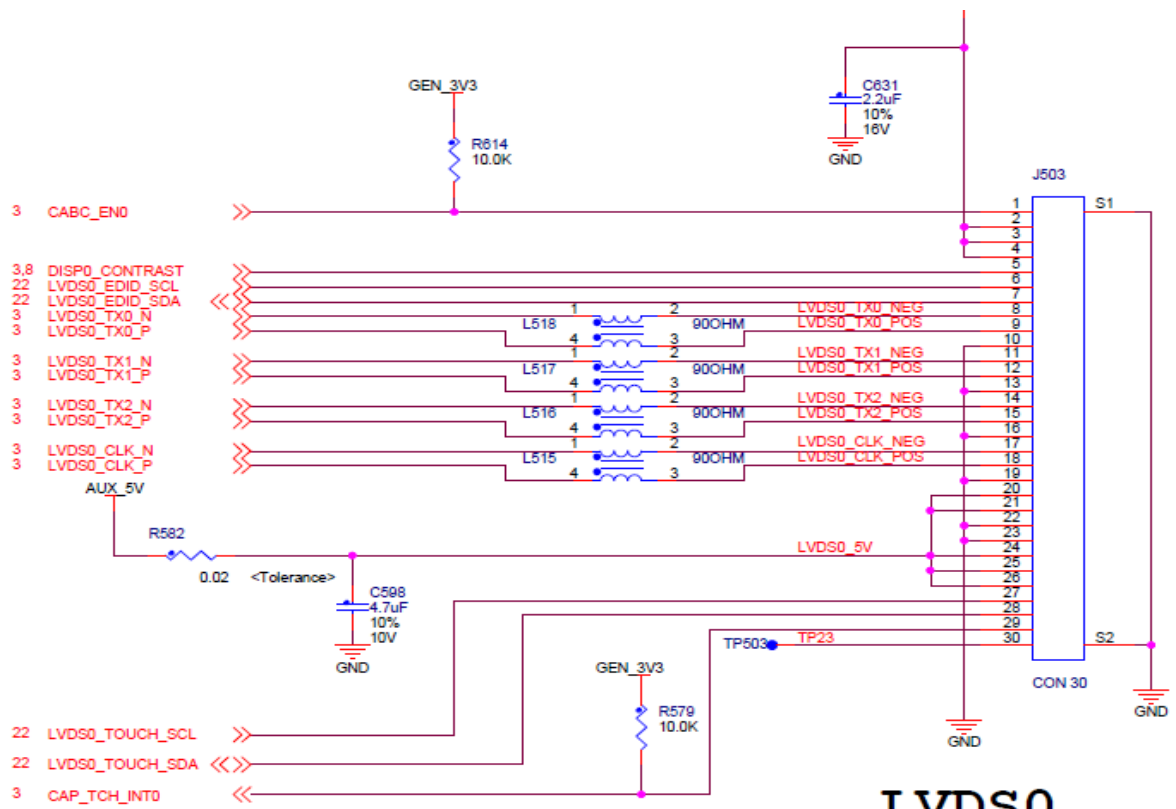
| | |
|-------------|--|
| Part number | LVDS-FI-S20S-DF19G-30S-400 |
| Type | LVDS cable between AA084XE11 and StartKit Sabra (Freescale) |
| Length | 400 mm |
| Connector 1 | FI-S20S |
| Connector 2 | DF19G-30S or compatible |

| Connector 1 | |
|-------------|------|
| FI-S20S | |
| 1 | Vcc |
| 2 | Vcc |
| 3 | GND |
| 4 | GND |
| 5 | DA0- |
| 6 | DA0+ |
| 7 | GND |
| 8 | DA1- |
| 9 | DA1+ |
| 10 | GND |
| 11 | DA2- |
| 12 | DA2+ |
| 13 | GND |
| 14 | CLK- |
| 15 | CLK+ |
| 16 | GND |
| 17 | DA3- |
| 18 | DA3+ |
| 19 | MODE |
| 20 | GND |

| Connector 2 | |
|-------------|------|
| DF19G-30S | |
| 1 | Vcc |
| 2 | Vcc |
| 3 | |
| 4 | |
| 5 | |
| 6 | |
| 7 | |
| 8 | DA0- |
| 9 | DA0+ |
| 10 | GND |
| 11 | DA1- |
| 12 | DA1+ |
| 13 | GND |
| 14 | DA2- |
| 15 | DA2+ |
| 16 | GND |
| 17 | CLK- |
| 18 | CLK+ |
| 19 | GND |
| 20 | |
| 21 | |
| 22 | GND |
| 23 | MODE |
| 24 | |
| 25 | |
| 26 | |
| 27 | |
| 28 | |
| 29 | |
| 30 | |

| | |
|-------------------------|------------------|
| Description : | MCIMX6Q-SDB |
| Coonector on the board: | DF19G-30P-1H(56) |

LVDS



Place L515, L516, L517 and L518 CMCs close to J403 connector.

LVDS0