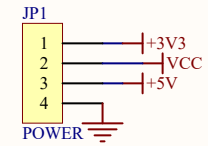
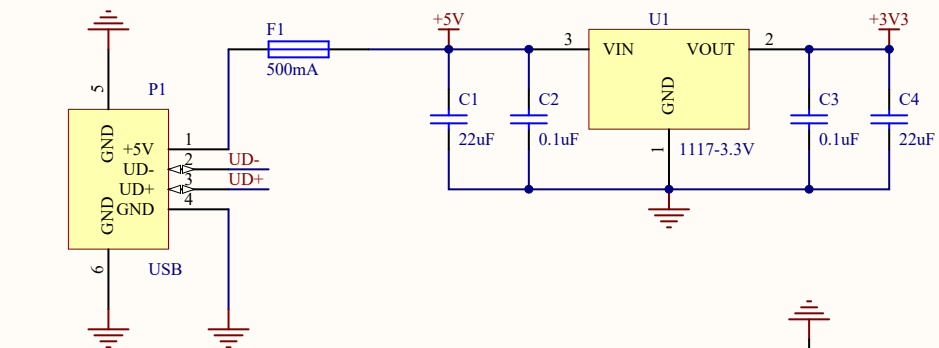
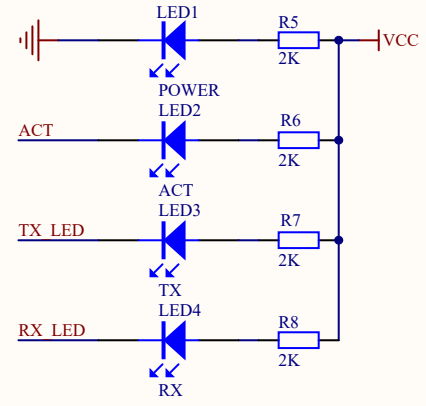
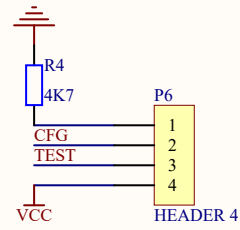
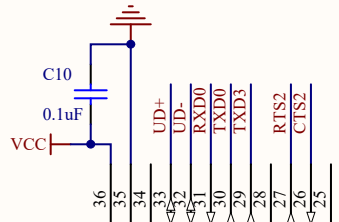
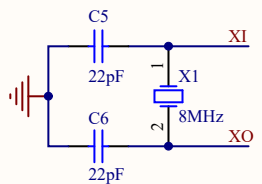


A

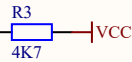
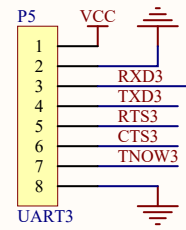
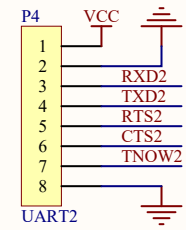
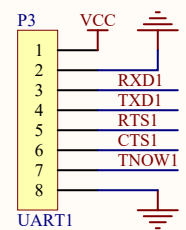
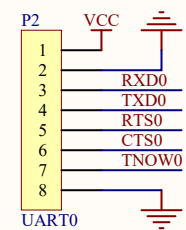
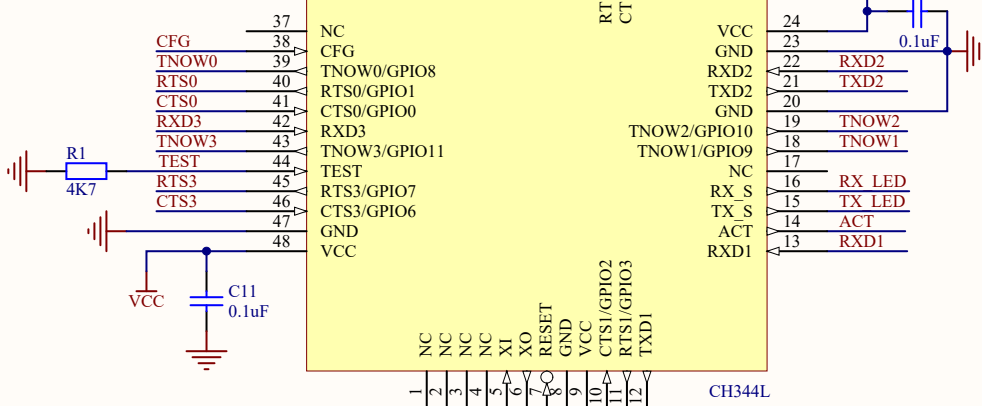


Power by 3.3V, short pin1 & pin2 of JP1  
 Power by 5V, short pin2 & pin3 of JP1

B



C



D

