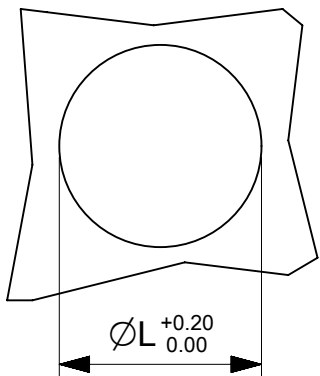


FORATURA PANNELLO
PANEL DRILLING



$\varnothing L$
mm
37.4

SYMBOLS $\nabla = 0$ $\nabla = 0$ $\nabla = 0$ $\nabla = 0$ $\nabla = 0$ $\nabla = 0$ $\nabla = 0$ $\nabla = 0$ $\nabla = 0$ $\nabla = 0$ $\nabla = 0$ $\nabla = 0$	THIS DRAWING CONTAINS INFORMATION THAT IS PROPRIETARY TO MOLEX ELECTRONIC TECHNOLOGIES, LLC AND SHOULD NOT BE USED WITHOUT WRITTEN PERMISSION		CURRENT REV DESC:						
	DIMENSION UNITS mm	SCALE 1:1	EC NO: 170943 DRWN: AKHEMIRI 2018/01/17 CHK'D: DMERONI 2018/01/17 APPR: AMELZI 2018/01/19					7000.6829.0 METAL CABLE GLAND IP68 5 BAR WITH GASKET PG29	
GENERAL TOLERANCES (UNLESS SPECIFIED)		ANGULAR TOL \pm °		PRODUCT CUSTOMER DRAWING					
$\nabla = 0$ 4 PLACES \pm		$\nabla = 0$ 3 PLACES \pm		INITIAL REVISION: DRWN: AKHEMIRI 2018/01/15 APPR: AMELZI 2018/01/19		DOCUMENT NUMBER 936000020	DOC TYPE PSD	DOC PART 000	REVISION A
$\nabla = 0$ 2 PLACES \pm		$\nabla = 0$ 1 PLACE \pm		MATERIAL NUMBER 936000020		CUSTOMER GENERAL MARKET		SHEET NUMBER 1 OF 1	
$\nabla = 0$ 0 PLACES \pm		DRAFT WHERE APPLICABLE MUST REMAIN WITHIN DIMENSIONS		FIRST ANGLE PROJECTION	DRAWING A4-SIZE	SERIES 93600			

DOCUMENT STATUS	P1	RELEASE DATE	2018/01/19	12:05:47
-----------------	----	--------------	------------	----------