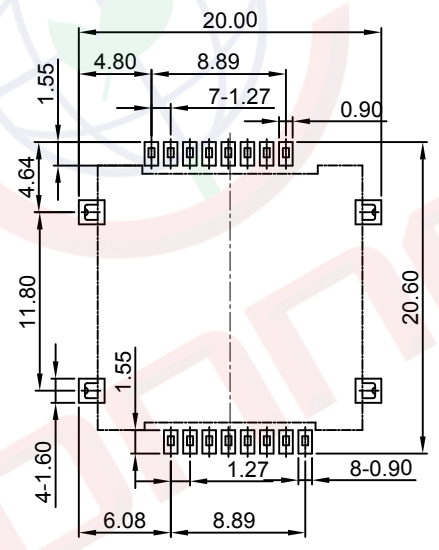
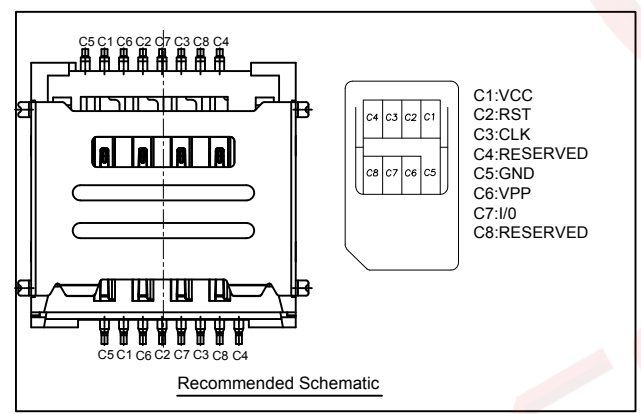
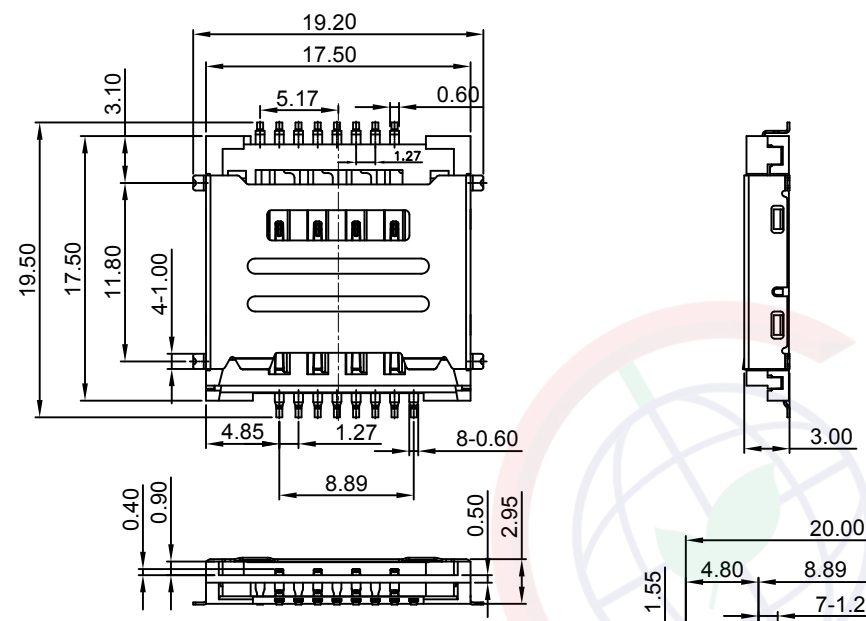


Dept	
Qty	
DC	1
ED	1
IE	1
ISO	1
PD	1
R&D	1
SD	1
QA	1
QC	1
QF	1

REV.	DESCRIPTION	DRAWN	CHECKED	APPROVED
A	NEW RELEASE	JLZ 10/08/14'		LJC 10/08/14'
B	ARRANGEMENT DRAWING	JLZ 11/06/15'		LJC 11/06/15'
C	DRAWING UPDATE	JLZ 08/10/20'		

The information provided herein is from CONNELY Electronic Co., Ltd. and is confidential. Any disclosure to a party other than the recipient is prohibited. The intellectual properties and its rights contained herein, including but not limited to, trademarks, patents, copyrights, trade secrets, and technical know-how, are owned exclusively by CONNELY or its affiliates. Unauthorized use or reproduction of any part of this document, in any form or by any means, without the prior written permission of CONNELY may result in legal action. CONNELY may enforce its intellectual property rights at its own discretion, failures or delays to exercise such rights does not constitute a waiver of such rights.



Recommend PCB layout(tolerance:±0.05)



(Series Image-Reference Only)

Notes

- Material:
  - Housing: High Thermoplastic LCP UL 94v-0 Color Of Black.
  - Contacts: Copper Alloy.
  - Shell:Stainless Steel
- Finish:
  - Contact Area: Gold Over Nickel.
  - Solder Area: Matte Tin.
- Specifications:
  - Operation Temperature: -40° C TO +85° C.
  - Insulation Resistance: 1000MΩ Min.
  - Contact Resistance: 50mΩ max.
  - Withstanding Voltage: 500V AC 1 Min.
  - Voltage Rating: 30V AC/DC.
  - Current Rating: 1.0A.
- Product Numbrt Code:

DS1138-03 - XX X X X X X X

- Packing Type  
R: Tape On Reel
- Shell plating  
S: Stainless
- Housing color  
B: Black
- Contact Plating  
0: Selective gold flash  
4: Selective 3u" gold
- Mounting type  
S: SMT type
- Connector type  
S: Socket
- No. of contacts  
08:8pin

GENERAL TOLERANCE		ANGLE TOLERANCE		PROJECTION		TITLE	1.27mm SIM Card H=3.0mm	
X.	±0.60	X.	±5°	UNITS	mm	8P Dual SMT Type		
.X	±0.38	.X	±3°	SHEET SIZE	A4	SERIES	DS1138-03 SERIES	
.XX	±0.25	.XX	±2°	<b>晨翔电子有限公司</b> <b>CONNFLY ELECTRONIC CO. LTD</b>				
DRAWING TYPE		CUSTOMER						
SCALE	1:1	SHEET	1 OF 1					
DRAWING NO.		C-DS1138-03-XXXXXX-C						