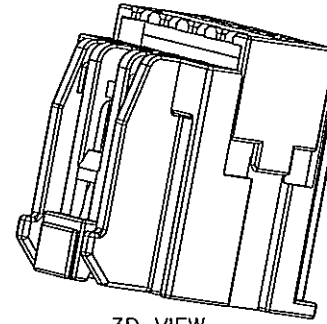
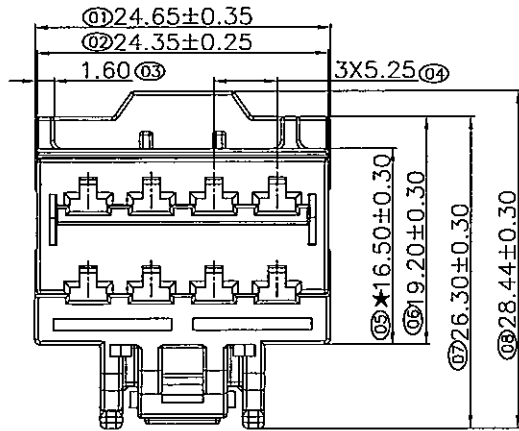


REV.	LOCAS.	DESCRIPTION	DATE	DRAWN
A	NEW	INTERIM INITIAL RELEASE.	2024.07.08	黄文斌

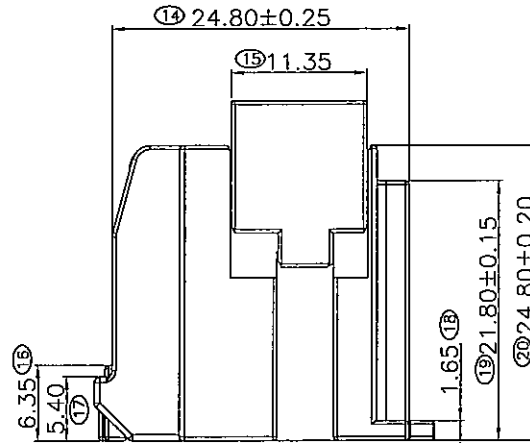
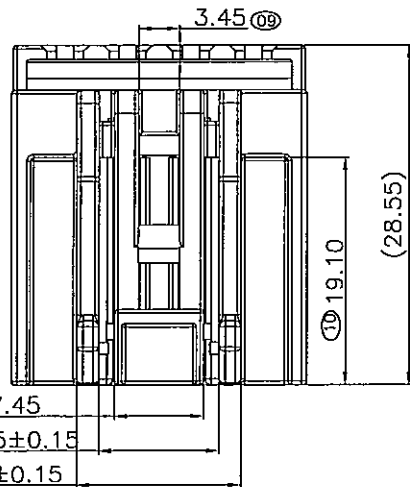


3D VIEW

Specifications:
 Insulation Resistance: 100MΩ Min.
 Dielectric Withstanding Voltage: 1000V AC
 Operating Temperature: -40°C to +105°C

Materials:
 Housing Material: PBT+GF, UL94HB, Color: Black
 SPACER Material: PBT+GF, UL94HB, Color: White
 ☆ All materials must meet GREENCONN hazardous substances control standards.

★: Critical Characteristics.
 indicates product characteristics, functionalities, and manufacturing processes regarding to customer's specifications.
 ☆: Safety Features
 indicates product characteristics, functionalities, and manufacturing processes complying to legal regulations stated by local government.



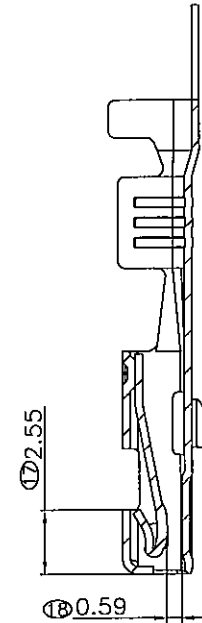
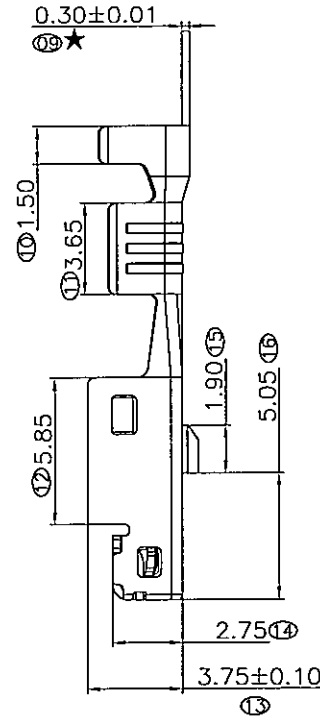
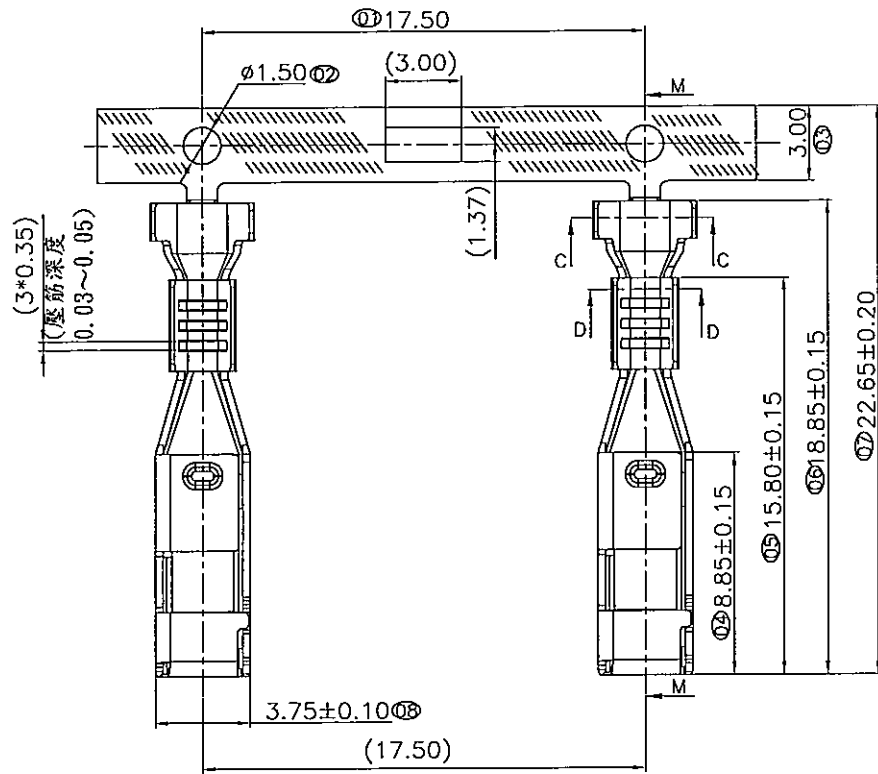
Ordering Information

MCZZA210 -- XX XX A 001 K X X X

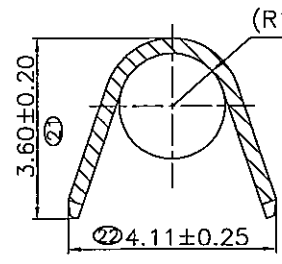
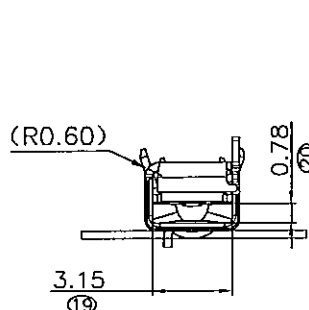
No. of Pins per Row 04
 Standard Plating P4=Nickel underplated over all 50~100u". tin plated 40~100u"
 Insulator Material K=PBT
 Color J=Blend
 Contact Material 9=High conductivity copper
 Standard Packing B=Tray

 Website: www.greenconn.com E-mail: sales@greenconn.com	3RD.ANG PROJ. PAGE. 1/2	GENERAL TOLERANCE X.±5.0° X.±0.30 .X'±3.0° .X±0.25 .XX'±2.0° .XX±0.20 .XXX'±1.0° .XXX±0.15		DESIGNED: 黄文斌 CHECKED: 黄超 APPROVED: 林石峰	DATE: 2024.07.08 DATE: 2024.7.10 DATE: 2024-7-10	DWG. NO. MCZZA210-CA001 PART NO. MCZZ210-XXXXA001KJ9X	TITLE. 5.25 PITCH CONNECTOR
		REV. A UNIT. mm SCALE. 2:1					

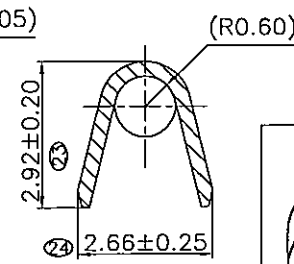
REV.	LOCAS.	DESCRIPTION	DATE	DRAWN
A	NEW	INTERIM INITIAL RELEASE.	2024.07.08	黄文斌



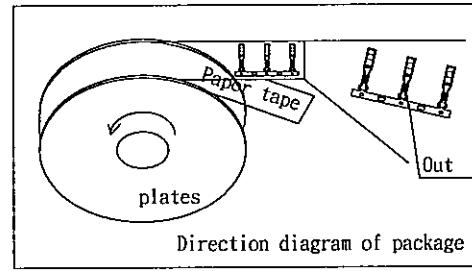
SECTION M-M



SECTION C-C
SCALE 2:1



SECTION D-D
SCALE 2:1



Direction diagram of package

Material :

- Contact Material: Copper alloy, T=0.20±0.01mm.
- Standard Plating: Nickel 50-100u" Tin 40-100u".
- Operating Temperature: -40°C to +130°C
- All materials must comply with GREENCONN hazardous substance control standard.

☆ indicates product characteristics, functionalities, and manufacturing processes regarding to customer's specifications.

"★": Critical Characteristics indicates product characteristics, functionalities, and manufacturing processes complying to legal regulations stated by local government.



3RD.ANG PROJ.
PAGE. 2/2

GENERAL TOLERANCE	
X'±5.0'	X±0.25
.X'±3.0'	.X±0.20
.XX'±2.0'	.XX±0.15
.XXX'±1.0'	.XXX±0.10

DESIGNED: 黄文斌 DATE: 2024.07.08
 CHECKED: 黄超 DATE: 2024.7.9
 APPROVED: 林文斌 DATE: 2024.7.9

DWG. NO. GRZ1F9-01-R
 PART NO. GRZ1F9-01P4PG-R

TITLE. 5.25 PITCH CONTACT