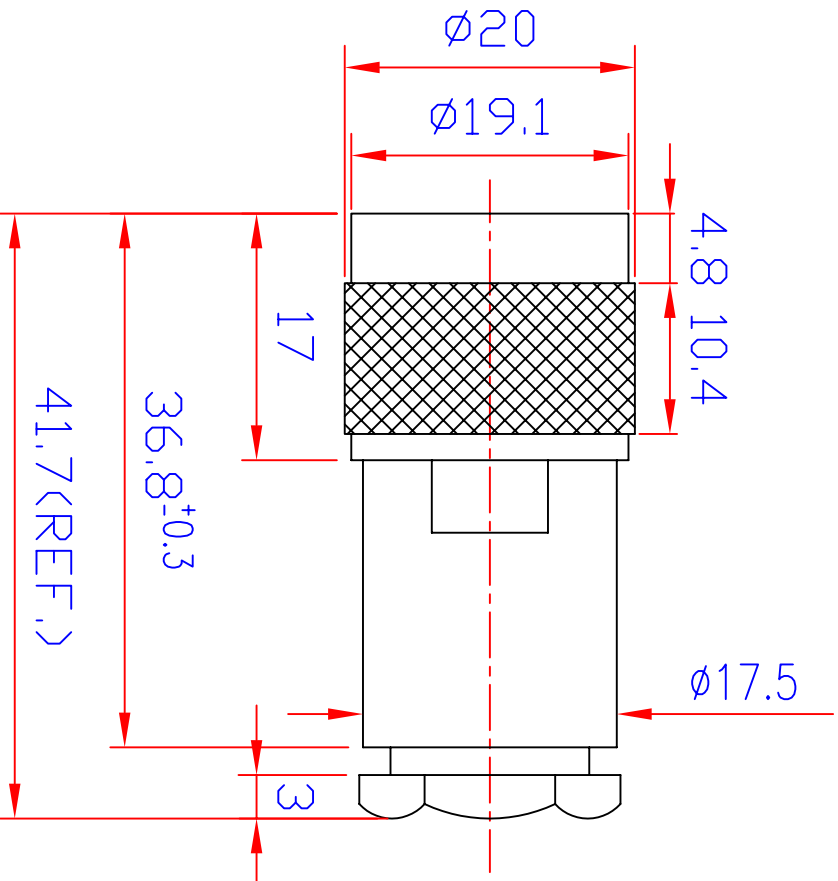
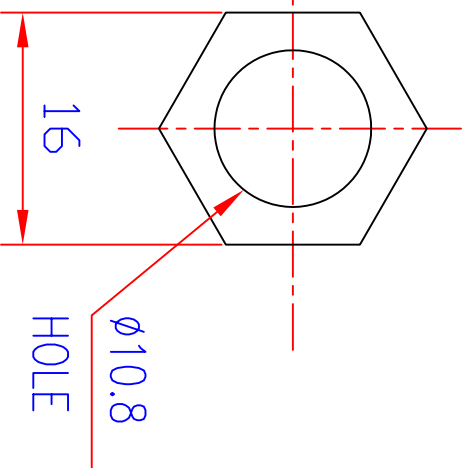


PIN



N MALE CLAMP TYPE



SPECIFICATION  
 N MALE CONNECTOR  
 CLAMP TYPE, RG213, NICKEL PLATED  
 N 公, CLAMP TYPE, RG213, 塑膠外殼, 本體鍍鎳, PIN: 鍍金

UNLESS OTHERWISE SPECIFIED  
 GENERAL TOLERANCES  
 0.5~6 = ±0.2  
 >6~30 = ±0.4  
 >30~120 = ±0.6

NO.	DESCRIPTION	QTY	MATERIAL	SPECIFICATION	REMARK
DRAW BY	周佩君	0222208	1 : 2		ITEM NO. TL4452-213-BDNG
DEGN BY			MM		TITLE N CONNECTORS
APPD BY					

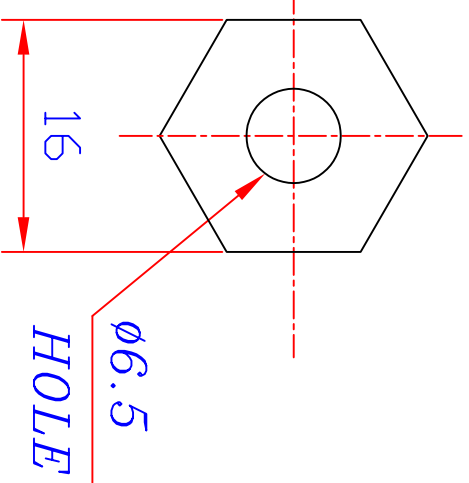
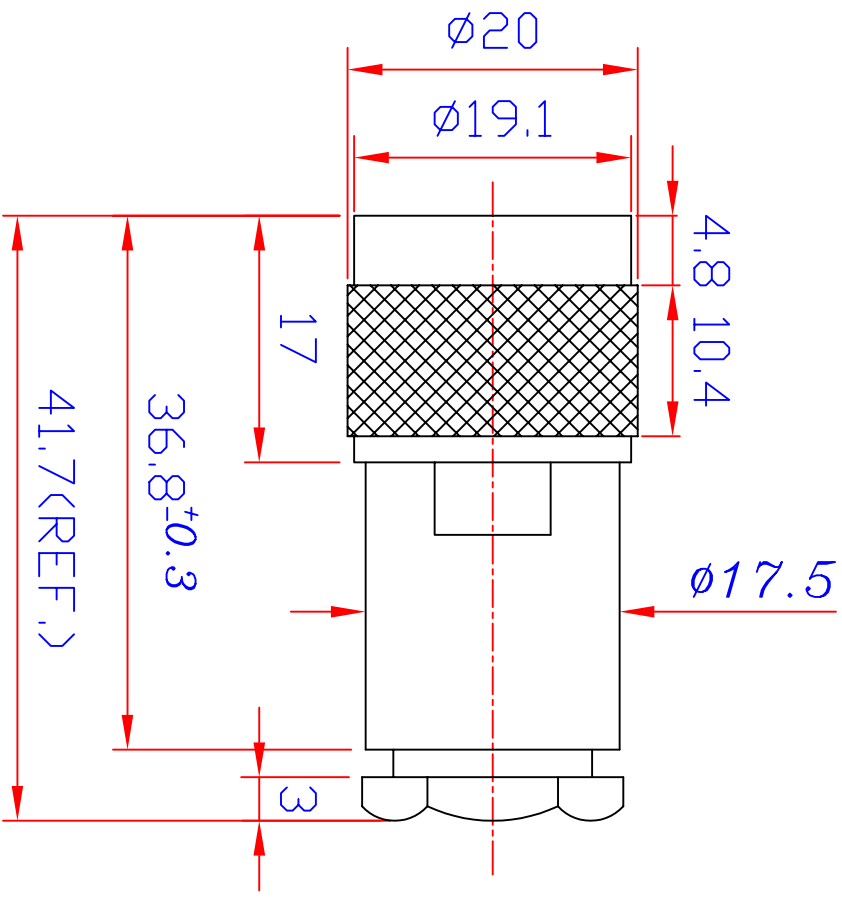
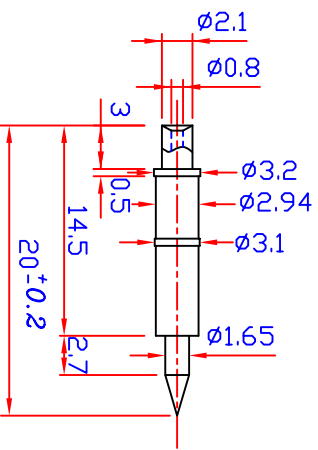
同利企業有限公司

TELE LONG ENTERPRISE CO.,LTD  
 E-mail: rayyang@seed.net.tw

DRAWING NO. TL4452-213-BDNG  
 -TNS61-A

DATE DRAWG BY REVISED

SPECIFICATION  
 N MALE CONNECTOR  
 CLAMP TYPE, RG59, NICKEL PLATED  
 N 公, CLAMP TYPE , RG59 , 塑膠絕緣, 本體:鍍鎳, PIN: 鍍金



N MALE CLAMP TYPE

UNLESS OTHERWISE SPECIFIED  
 GENERAL TOLERANCES  
 0.5~6 = ±0.2  
 >6~30 = ±0.4  
 >30~120 = ±0.6

NO.	DESCRIPTION	QTY	MATERIAL	SPECIFICATION	REMARK
DRAW BY	周佩君	0222208	1 : 2		TL4452-59-BDNG
DEGN BY					
APPD BY			MM		N CONNECTORS

同利企業有限公司 TELE LONG ENTERPRISE CO.,LTD  
 E-mail:rayyang@seed.net.tw

DATE	DRAWG BY	REVISED
------	----------	---------

DRAWING NO.	TL4452-59-BDNG -JNS61-A
-------------	----------------------------