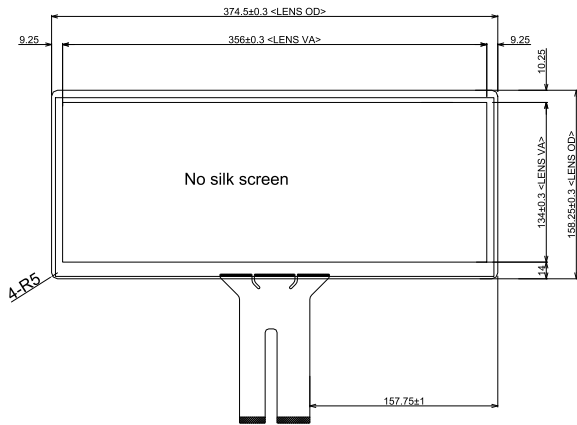
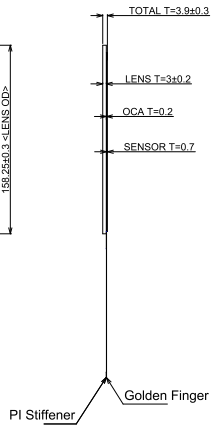


Ver.	Modify No.	Details	Area	P.I.C	Date
2	02	Remove AG+AF	DWG	Curry	22.05.16

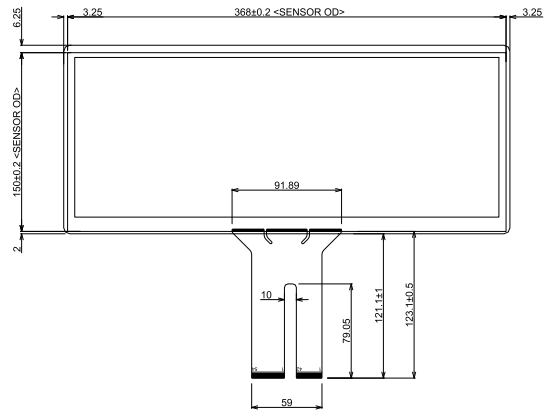
TOP VIEW



SIDE VIEW



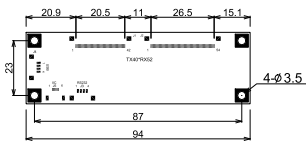
BOTTOM VIEW



USB PIN ASSIGNMENT

1	VBUS
2	DN
3	DP
4	GND

CONTROLLER
SC 2:1



Technical Datasheet:

1. Structure: Cover Glass+OCA+ITO Glass
2. Controller: BTP-GG-CTR-ILI-150B-R07 COB
3. Controller IC: ILI 2510
4. Cover Glass: T=3mm, Surface hardness ≥6H
5. Light transmittance: ≥85%
6. Working Temperature: -20°C~+70°C, ≤85%RH;
7. Storage Temperature: -30°C~+80°C, ≤85%RH;
8. Unmarked Tolerance: ± 0.3 mm;
9. All material used conform to RoHS standards

Part No.	BTP-GG-TPB-15-ILI-R07-V02			
Product Name: 15 inch Touch Panel	Drawing No.	G150220516R07		
	Project Code.	G150R07		
Business Unit: SNT-BTP	Period Mark	View Angle	Ratio	
	A		1:1	
Workmanship:	Yong.Xin	BOM Code	1.12.150.04.0107	Page 1
Standardization:	Link.Chen	Product Series	BTP-GG	Total 1 Page
Released by:	Rocky.Liu	思诺泰科创电子(苏州)有限公司 SINOTECHNICS INC.		