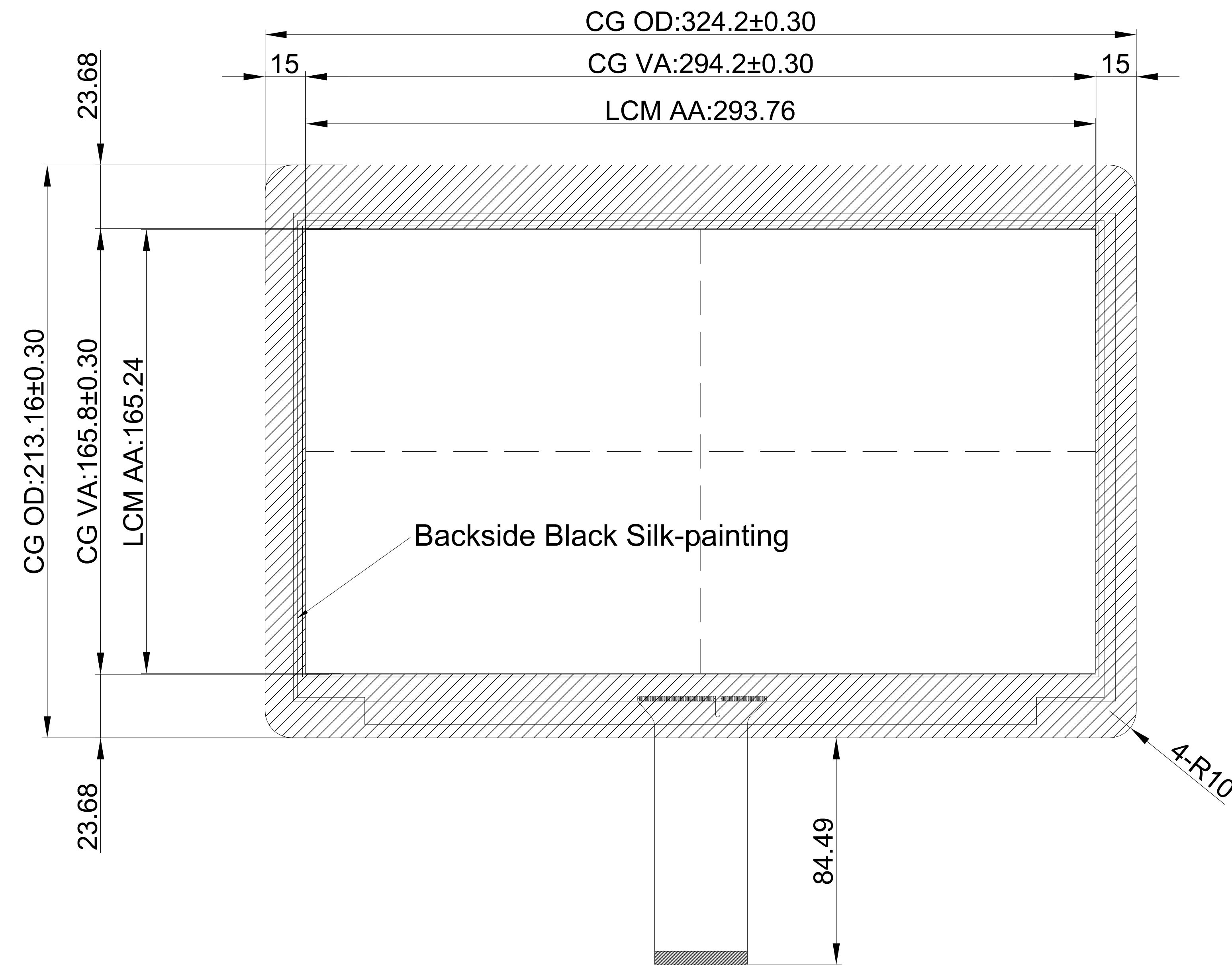
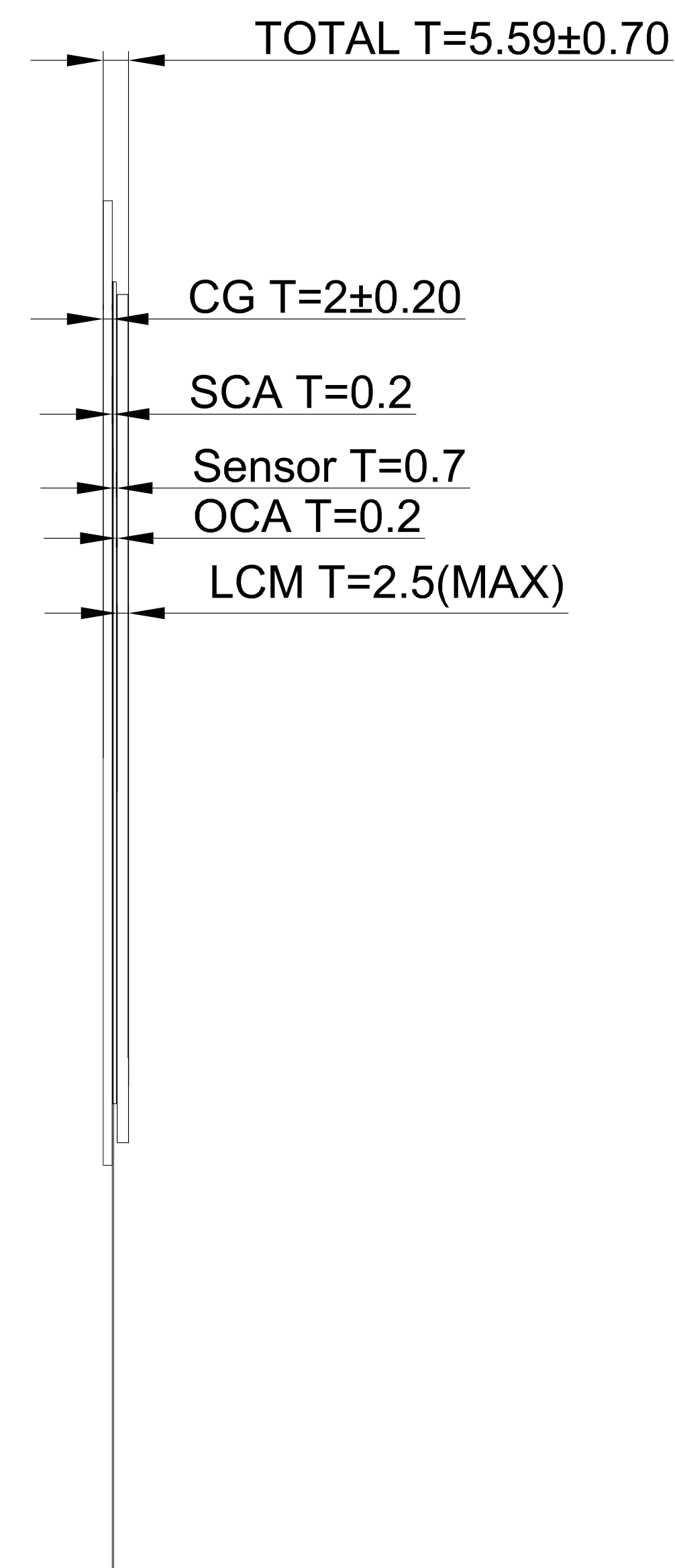


Ver.	Modify No.	Details	Area	P.I.C	Date
02	01	Update the dimensions of CG OD	DWG	Curry	251120

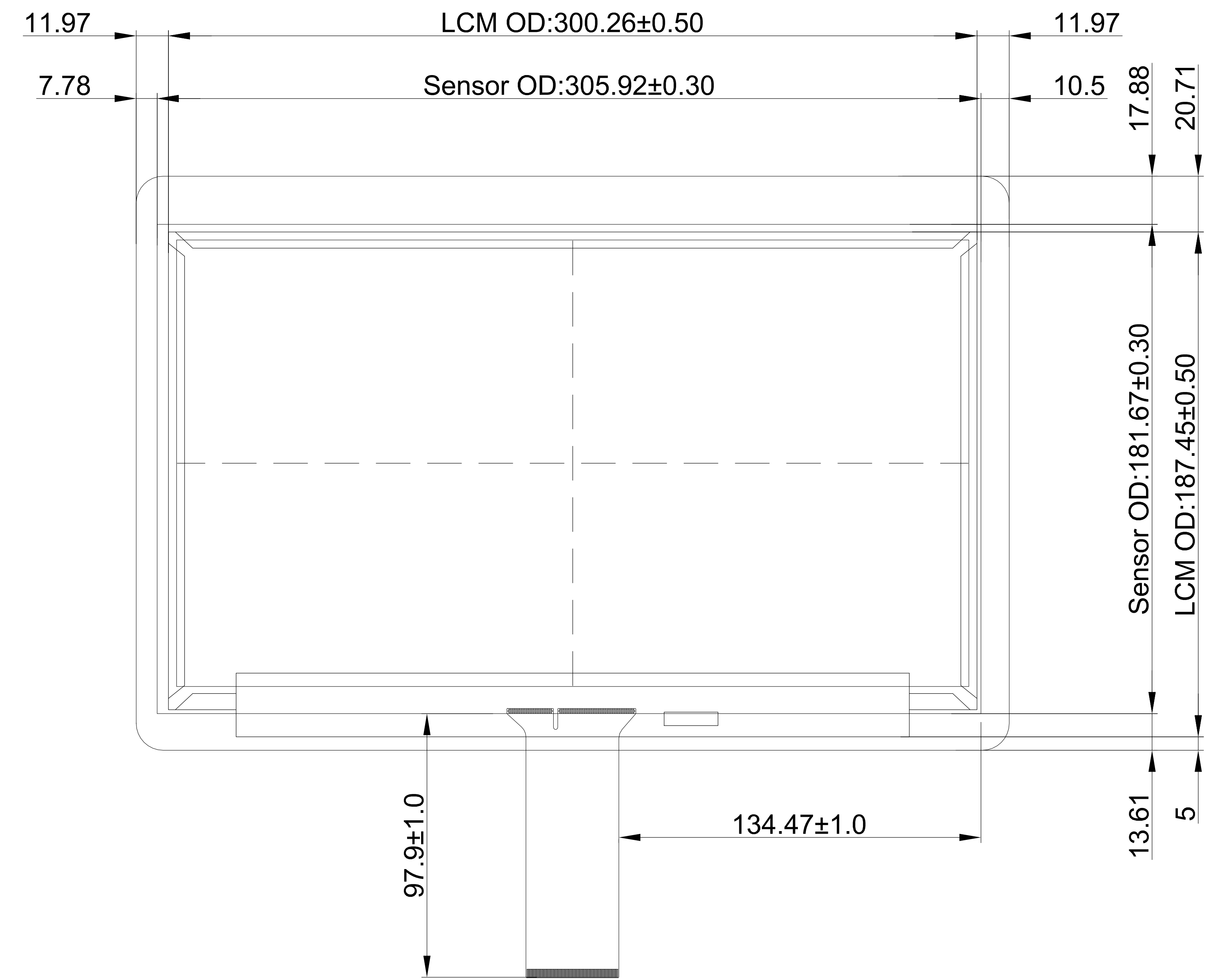
Front View



Side View

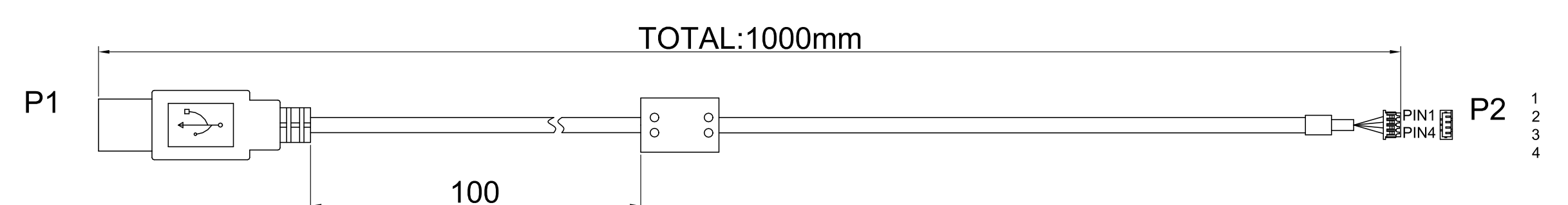
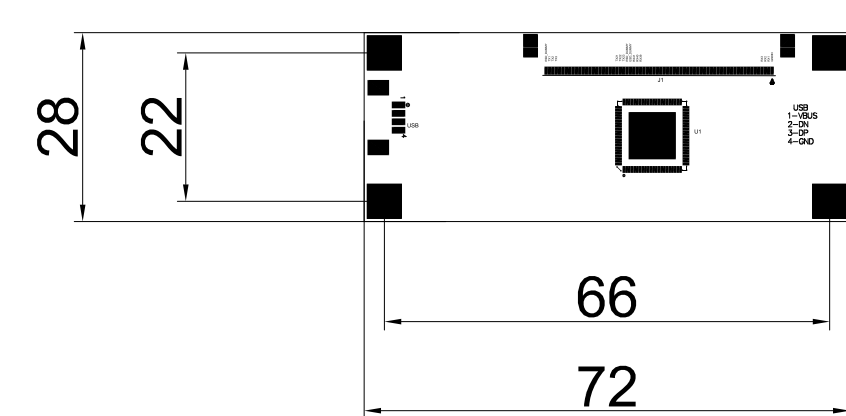


Back View



USB PIN ASSIGNMENT

1	VDD/5V
2	D-
3	D+
4	GND



Connector:
 P1:USB-A Male Connector
 P2:1.25 Pitch 4pin Connector(MX1.25-4P)

Technical Datasheet:

1. Structure: TP+LCM Optical Bonding
2. Cover Glass: 2mm Tempered Glass
3. LCD: NV133FHM-N6A
4. TP Controller: BTP-TPM-CTR-ILI-133B-SN08
5. TP Controller IC: ILI2511 (Interface: USB)
6. Surface Hardness: ≥6H
7. Light Transmittance: ≥82%
8. Working Temperature: 0°C~+50°C, ≤85%RH;
9. Storage Temperature: -20°C~+60°C, ≤85%RH;
10. Unmarked Tolerance: ±0.5mm
11. All materials used conform to RoHS standards

Part No.	BTP-TPM-NV-13.3-ILI-SN08-V02			
Product Name:	13.3 inch Touch Display		Drawing No.	PM133251120SN08
			Project Code.	PM133SN08
Business Unit:	SNT-BTP		Period Mark	View Angle
			A	1:1
BOM Code	2.03.133.01.0108		Page 1	Total 1 Page
Product Series	BTP-TPM		SINOTRONICS Interactivity Changes the World	

Designed by:	Curry.Wang
Checked by:	Jimmy.Liu
Approved by:	Cale.Chen
Workmanship:	Yong.Xin
Standardization:	Link.Chen
Released by:	Rocky.Liu