

Series 381

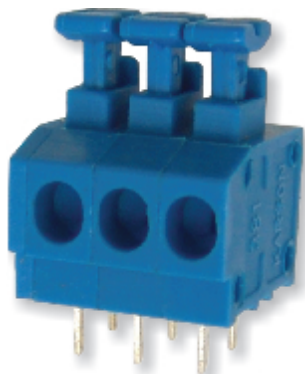
Terminal Blocks for PC-Boards Screwless, Push Button Type

381系列

印刷線路板用接線端子座 - 按鈕式免螺絲

Front Wire Inlet Type - Spacing 3.81mm or 7.62mm,
Height Over PC-Board 15.5mm

前方入線型 - 間距3.81mm或7.62mm · 殼體高度15.5mm



381-031-12-11



Push Button Type

Series 381

Terminal Blocks Catalog

SPECIFICATIONS

技術資料

MATERIAL 材料

- **Contact 觸點(metal housing 金屬殼體):**
Brass, Tin plated / 黃銅 · 銅錫電鍍
- **Contact Spring 觸點彈簧:**
Stainless strip steel / 不鏽鋼片
- **Surface of Solder Tail 針腳電鍍:**
Tin plated / 鍍錫
- **Insulator Body 絕緣體(housing 殼體)**
Polyamide PA66 (UL 94 V-0) / 尼龍PA66 (UL 94 V-0)

ELECTRICAL 電機方面

- **Current Rating 工作電流:** 10 Amp
- **Dielectric Strength 電介質:** 2500V
- **Rated Voltage 額定電壓:** 250V
- **AWG 適用線號:** 20 - 16
- **Resistance to Tracking 絕緣阻值:** 5MΩ
- **Insulation Withstands Voltage 耐電壓:** AC1500V/Min
- **Stripping Length 剝線長度:** 9.0 - 10.0mm

MECHANICAL 機械方面

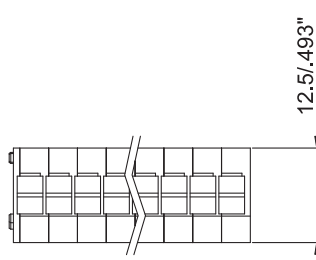
- **Operating Temperature 工作溫度:** -30°C to +120°C
- **Short Time Peak Temperature 短暫能容溫度:** +200°C max

**** Notice:**
To avoid accumulating tolerance-variations of Terminal Blocks, limit the number of contacts to no more than 24 contacts per row

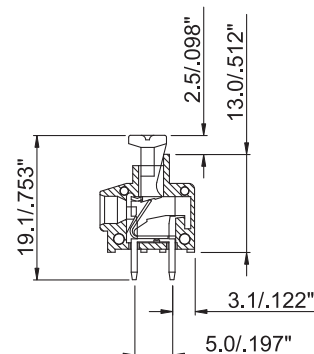
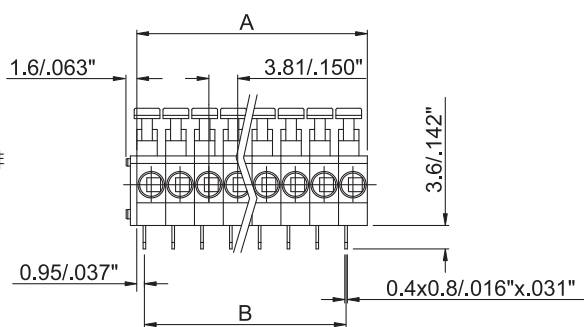
Recommended PC-Board-Holes
diameter : Ø1.2mm to Ø1.4mm
n = number of contacts

****** 為防止累積公差過大，接線端子座建議每排不超過24位

建議底孔直徑：Ø1.2mm 至 Ø1.4mm
n = 觸點的數量



PITCH	Dimension A	Dimension B
3.81mm	n x 3.81	(n - 1) x 3.81
7.62mm	n x 7.62	(n - 1) x 7.62



HOW TO ORDER 排序整理

