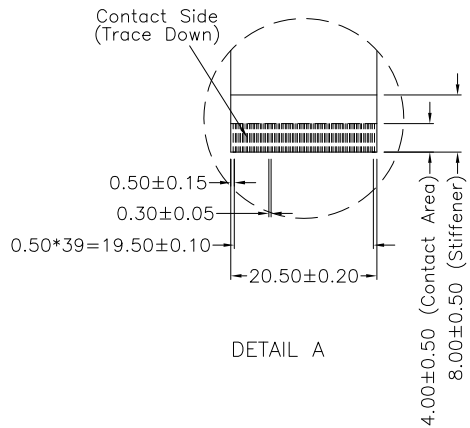
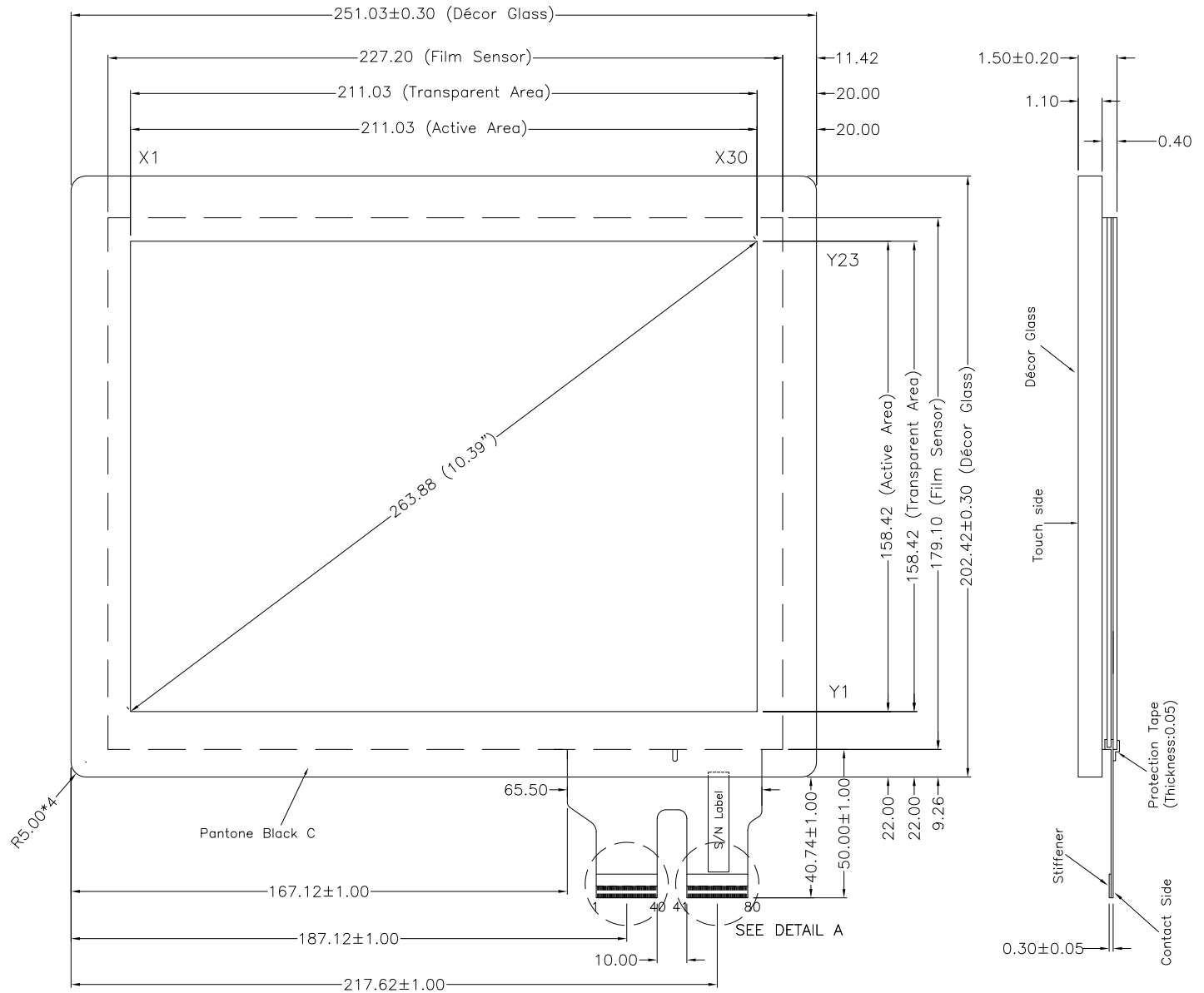


TOUCH SIDE VIEW

PIN#	Assignment
1-3	Blank
4	Grounding Line
5	Blank
6	Grounding Line
7	Blank
8-37	X1-X30
38-39	Blank
40	Grounding Line
41-51	Blank
52	Grounding Line
53	Blank
54-76	Y1-Y23
77-79	Blank
80	Grounding Line



NOTES:

- INPUT MODE : PROJECTED CAPACITIVE
- OVERALL THICKNESS : 1.50±0.20mm
- DÉCOR GLASS THICKNESS : 1.10mm
- FRONT SURFACE : CLEAR
- TAIL TYPE : GOLD PLATED FPC , ZIF
- RECOMMENDED CONTROL BOARDS : PENMOUNT PM1300 SERIES
- OTHER SPEC : SEE APPROVAL SHEET
- PLEASE REFER TO AMT TOUCH SCREEN INTEGRATION GUIDES FOR SYSTEM MECHANICAL DESIGN AND ASSEMBLY METHODS



A	SEP 26 , 2011	EMI SHIELD FILM MODIFY	JERRY
NO.	DATE	DESCRIPTION	CHK
REVISION			
CHIEF OF DESIGN		APPROVED	Jerry
DRAWN BY	Willi	DATE	Mar.31, 2014
SHEET 1 OF 1			

Apex Material Technology Corp.	
TOLERANCES UNLESS SPECIFIED	
.X	± 0.50
.XX	± 0.50
.XXX	± 0.30
ANGULAR	
DWG NO : P3008-AG-1-012	
SCALE: N/S UNIT: mm	