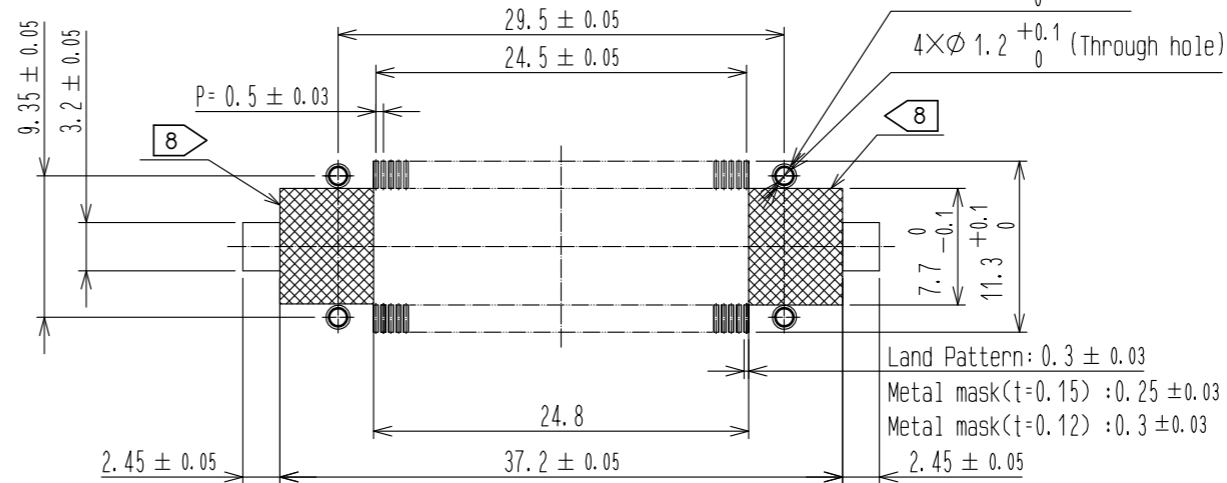
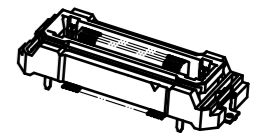


Sep.1.2020 Copyright 2020 HIROSE ELECTRIC CO., LTD. All Rights Reserved.  
In case of consideration for using Automotive equipment / device which demand high reliability, kindly contact our sales window correspondents.

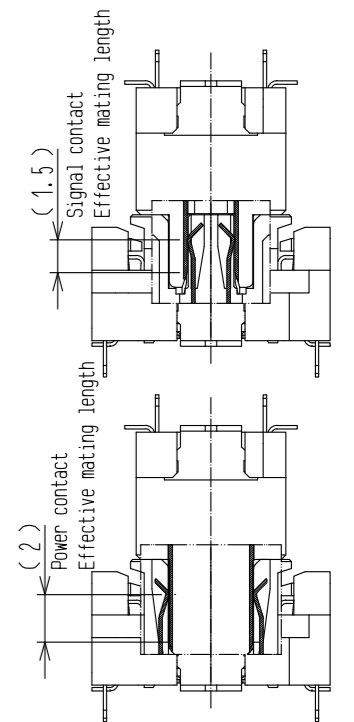
RECOMMENDED LAND PATTERN DIMENSION OF PCB  
(PCB THICKNESS:  $t=1.6\text{mm}$ )

FLOATING RANGE

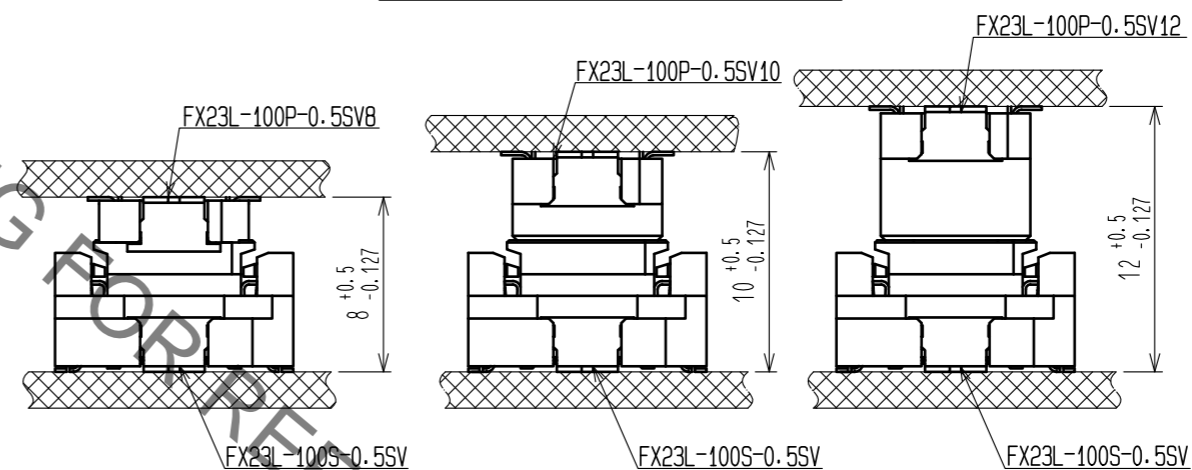
X DIRECTION:  $\pm 0.6\text{mm}$  Y DIRECTION:  $\pm 0.6\text{mm}$



CROSS SECTION OF MATING  
(No scale)

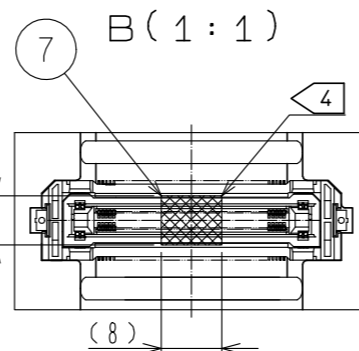
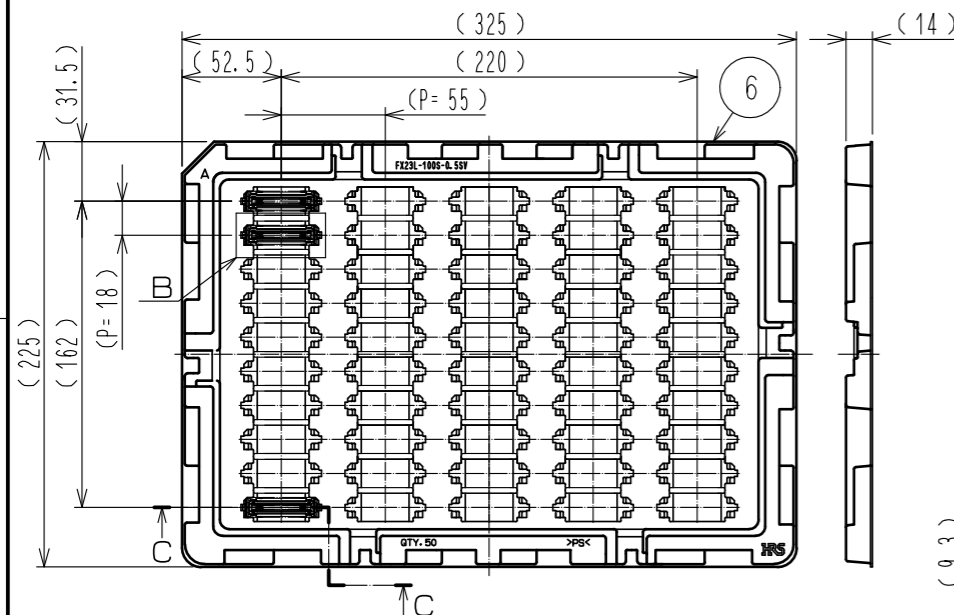


PCB DISTANCE (No scale)

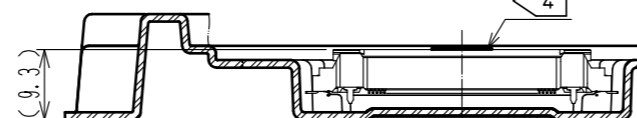


- Note
- Lead CO-Planarity is 0.1mm MAX.
  - This is packaged in tray. (50pcs/tray)
  - Floating range of this connector is  $\pm 0.6\text{mm}$ .  
The maximum cycle time of the floating operation is in accordance with the mating cycle of the connector.
  - It shows the vacuum pickup area. Remove the mylar tape before mating connectors.
  - Blemish and hit mark can be occurred through out the manufacturing process which doesn't affect quality level.
  - The dimensions in parentheses are for references.
  - Please use the connectors within the specified PCB distance.
  - area of inner SMT land requires pattern prohibition or resist treatment to prevent the pattern.

DRAWING FOR PACKING (No scale)



C-C (1:1)



NO.	MATERIAL	FINISH . REMARKS	NO.	MATERIAL	FINISH . REMARKS
3	COPPER ALLOY	CONTACT AREA:GOLD 0.1 $\mu\text{m}$ LEAD AREA:GOLD 0.03 $\mu\text{m}$ UNDER PLATING:NICKEL 1.3 $\mu\text{m}$	7	POLYIMIDE	(TAPE FOR VACUUM PICKUP)
2	POLYAMIDE	BLACK UL94V-0	6	POLYSTYRENE	(TRAY)
1	POLYAMIDE	BLACK UL94V-0	5	BRASS	TIN-PLATING 1 $\mu\text{m}$
			4	COPPER ALLOY	CONTACT AREA:GOLD 0.1 $\mu\text{m}$ LEAD AREA:TIN-PLATING 1 $\mu\text{m}$ UNDER PLATING:NICKEL 1.3 $\mu\text{m}$

UNITS	SCALE	COUNT	DESCRIPTION OF REVISIONS	DESIGNED	CHECKED	DATE
mm	2 : 1	1	DIS-F-00004372	TS.00NO	HT.YAMAGUCHI	20190307

APPROVED	HS. OKAWA	20160120	DRAWING NO.	EDC-358068-00-00
CHECKED	KN. SHIBUYA	20160120	PART NO.	FX23L-100S-0.5SV
DESIGNED	TS.00NO	20160120	CODE NO.	CL573-2305-0-00
DRAWN	TS.00NO	20160120		