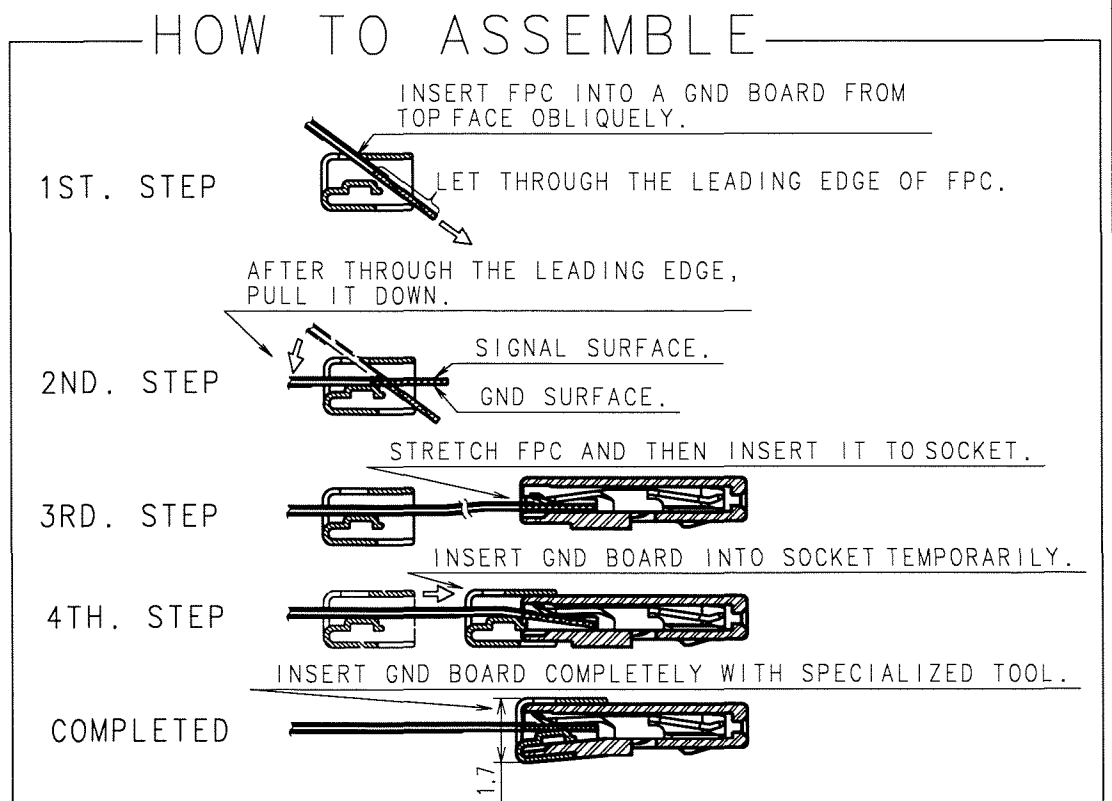
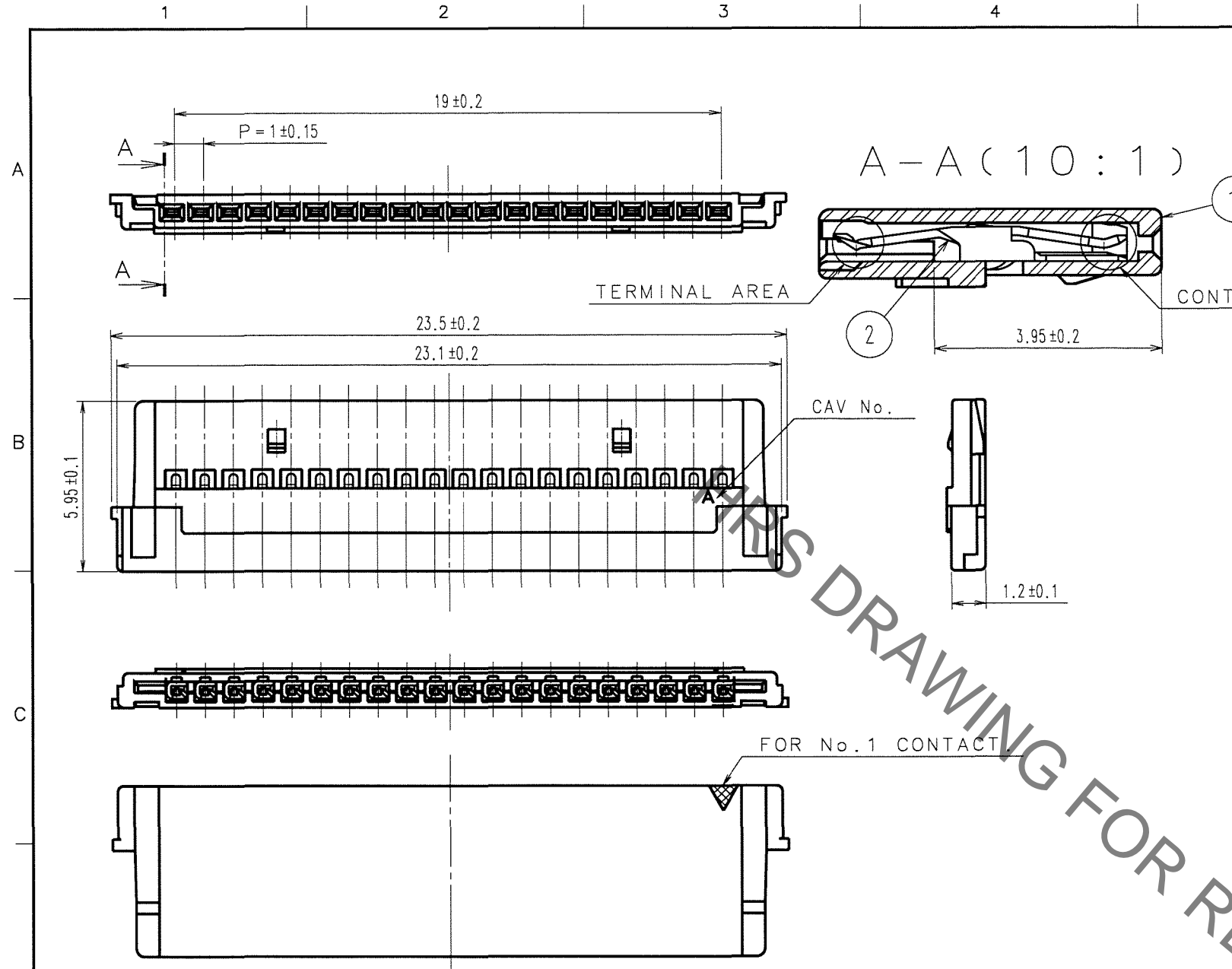


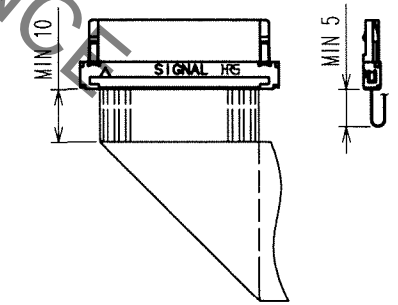
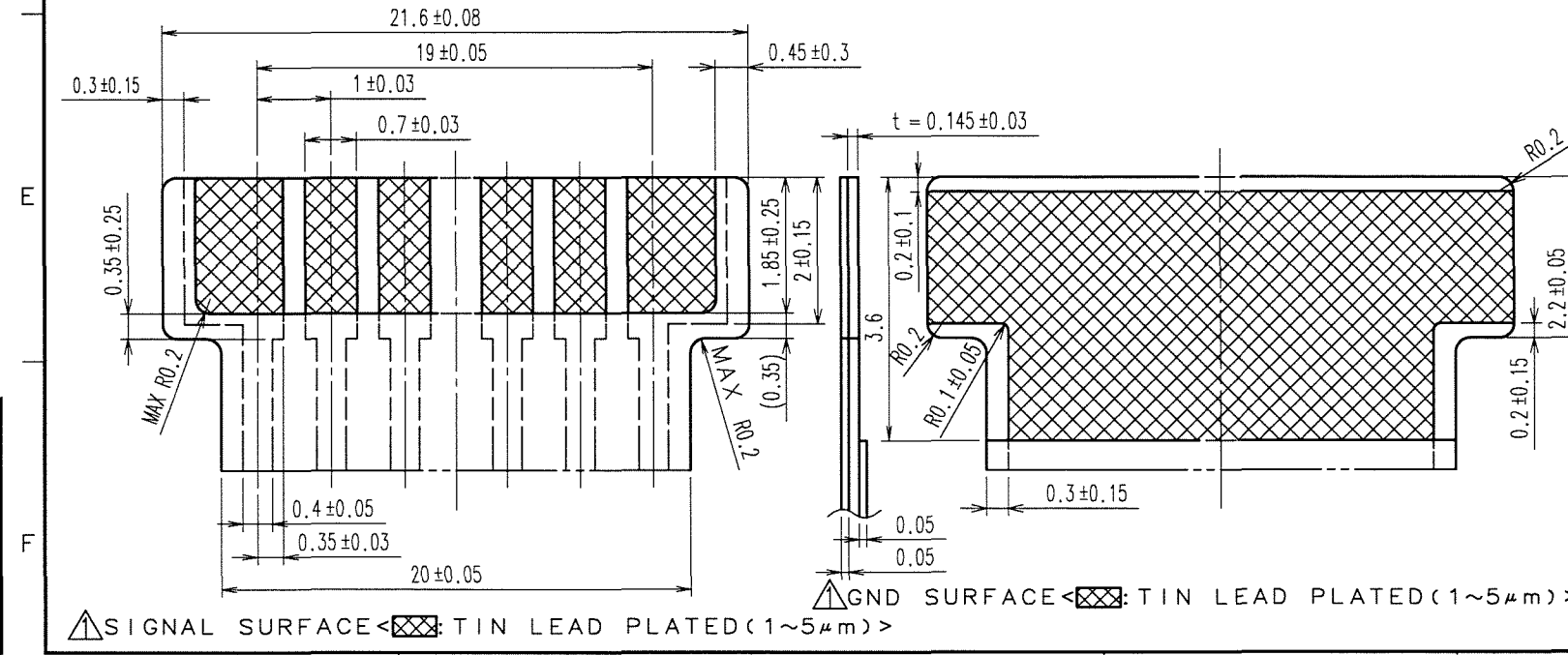
Apr.1.2020 Copyright 2020 HIROSE ELECTRIC CO., LTD. All Rights Reserved.  
In case of consideration for using Automotive equipment / device which demand high reliability, kindly contact our sales window correspondents.

COUNT	DESCRIPTION OF REVISIONS	BY	CHKD	DATE	COUNT	DESCRIPTION OF REVISIONS	BY	CHKD	DATE
2	DIS-H-000773	E-D	H.V	06.02.09					



- NOTE 1:** TRAY PACKAGING. (100 PCS)  
**NOTE 2:** GND BOARD AND SOCKET, EACH SHOULD BE TREATED AS A INDIVIDUAL PRODUCT, AND BE SUPPLIED INDIVIDUALLY. (GND BOARD: DF19G-20S-1F-GND(05)/CL685-0010-3-05)  
**NOTE 3:** IF IT'S NEEDED TO CONNECT SIGNAL SURFACE AND GND, IT MUST BE DONE BY THROUGH HOLE ON FPC.  
**NOTE 4:** USE SPECIALIZED TOOL TO ASSEMBLE FPC.  
**NOTE 5:** INSERTION AND WITHDRAWAL OF CONNECTOR SHALL BE MADE PERPENDICULAR TO MATING SURFACE.  
**NOTE 6:** THIS PRODUCT IS NOT INTENDED TO HAVE ANY STRAIN ON THE CONDUCTORS IN SUCH INSTANCE AS CLOSE-OPEN MOTION OF NOTEBOOK COMPUTER.  
**NOTE 7:** BEND RADIUS OF FPC SHALL BE AS SPECIFIED BY THE FPC MANUFACTURER. BENDING POSITION TO BE AS SHOWN BELOW.

### RECOMMENDED PATTERNS OF FPC(10:1)



1	POLYAMIDE	UL94V-0, GRAY	2	PHOSPHOR BRONZE	CONTACT AREA: GOLD PLATED 0.1µm min	
NO.	MATERIAL	FINISH, REMARKS	NO.	MATERIAL	CONTACT AREA: TIN PLATED 1µm min	
CODE NO. (OLD) CL?					UNDER PLATED: NICKEL PLATED 0.5µm min	
					FINISH, REMARKS	
DRAWN		DESIGNED		CHECKED	APPROVED	RELEASED
A.Miyazaki		T.Kumazawa		H.Umehara	T.Oma	
05.10.31		05.11.01		05.11.01	05.11.02	
DRAWING NO. EDC3-162454-02			PART NO. DF19G-20S-1F(05)			
SCALE 5:1			CODE NO. CL685-0009-4-05			
UNITS mm			1/1			

TO