

Data Sheet

Customer: _____

Product: Wire Wound Power Inductor – CSP Series _____

Size : 0603/0605/0703/0704/1204/1205/1207/1209 _____

Issued Date: 24-Apr-2017 _____

Edition: Ver. 1 _____

Record of change

Date	Ver.	Description	Page
24-Apr.-2017	1		

HITANO ENTERPRISE CORP.

7F-7, No. 3, Wu Chuan 1st Road, New Taipei Industrial Park,

New Taipei City, TAIWAN, R.O.C.

Tel: +886 2 2299 1331 (Rep.)

Fax: +886 2 2298 2466, 2298 2969

Prepared by	Checked by	Approved by	Accepted by (customer)
24-Apr.-2017	24-Apr.-2017	24-Apr.-2017	
<i>Andy Hsu</i>	<i>Hwa Wu</i>	<i>Hwa Wu</i>	

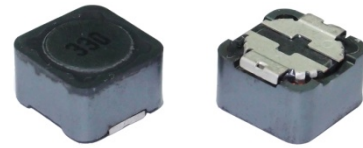
WIRE WOUND POWER INDUCTOR CSP SERIES

■ Features

- * The CSP series are characterized by low profile, low DC resistance, and high current handling
- * Magnetically shielded, these parts can be used in high-density mounting configurations.
- * Flat bottom surface ensures secure, reliable mounting.
- * Provided in embossed carrier tape packaging for use with automatic mounting machines.

■ Application

- * Portable Telephone.
- * Personal Computers.
- * DC/DC Converters, etc.
- * Other Various Electronic Equipment.



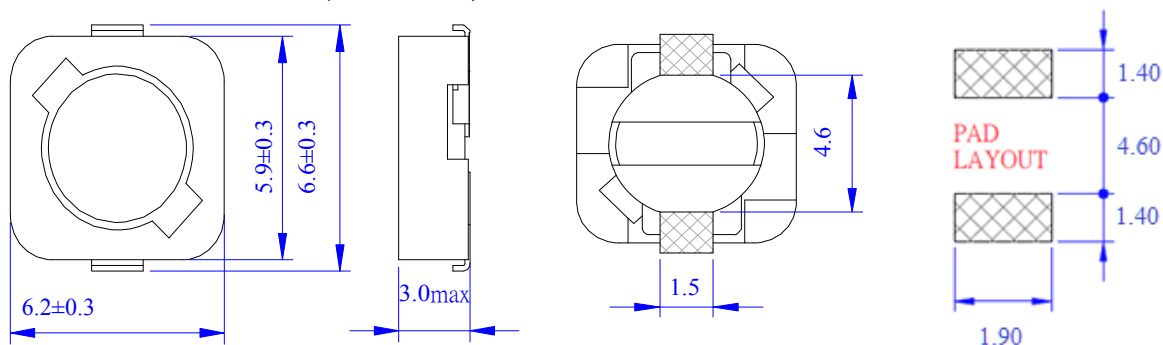
■ Part Numbering

CSP	0603	W	4R7	M	□□
SERIES	SIZE	TYPE	INDUCTANCE	TOLERANCE	INTERNAL CODE
Wire Wound	0603	T	R47= 0.47uH	M= ±20%	
Shielded	0605	W	4R7= 4.7uH	N= ±30%	
	0703		101= 100uH		
	0704		152= 1500uH		
	1204				
	1205				
	1207				
	1209				

POWER INDUCTORS CSP SERIES

CSP0603W

1. SHAPE & DIMENSION (UNIT:mm)



2. ELECTRICAL

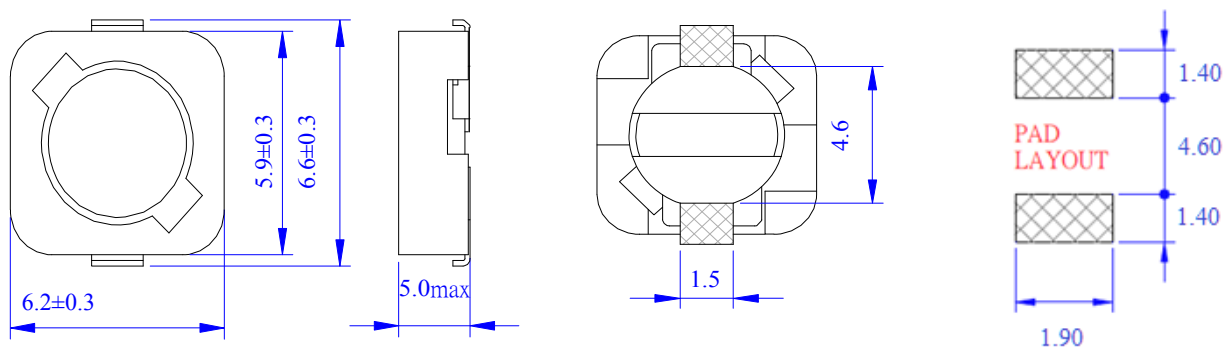
PART NO.	L(uH)	DCR(mΩ) max	RDC(A) Isat	RDC(A) Irms
CSP0603W1R0N-□□	1.0	39	4.50	3.50
CSP0603W2R2N-□□	2.2	54	3.30	2.90
CSP0603W3R3N-□□	3.3	67	3.00	2.80
CSP0603W4R7N-□□	4.7	78	2.50	2.65
CSP0603W6R8M-□□	6.8	100	2.00	2.30
CSP0603W100M-□□	10	125	1.60	1.90
CSP0603W150M-□□	15	200	1.40	1.60
CSP0603W220M-□□	22	250	1.10	1.35
CSP0603W270M-□□	27	360	1.00	0.90
CSP0603W330M-□□	33	400	0.90	0.85
CSP0603W470M-□□	47	600	0.74	0.85
CSP0603W101M-□□	100	1060	0.50	0.65

- Inductance Tolerance : M:±20%, N: ±30% tested at 100KHz
- Operating Temp : -40 to +125°C
- Rated current: smaller value of either Irms or Isat
 Irms: The value of DC current when temperature rise is $\Delta T \leq 40^\circ\text{C}$. (Ta=20°C)
 Isat: For inductance drop 10% from its value without current
- Inductance measurement: HP4194A
- DCR measurement: 502BC milli-ohm meter.
- RDC measurement: 4284A+42841A+42842C
- MSL : LEVEL 1

POWER INDUCTORS CSP SERIES

CSP0605W

1. SHAPE & DIMENSION (UNIT:mm)



2. ELECTRICAL

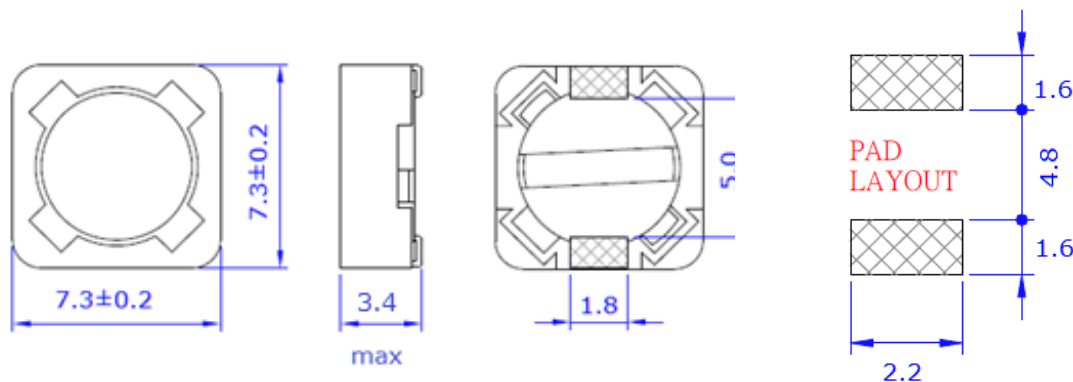
PART NO.	L(uH)	DCR(mΩ) max	RDC(A) Isat	RDC(A) Irms
CSP0605W1R0N-□□	1.0	34	5.50	5.00
CSP0605W2R2N-□□	2.2	49	4.00	3.50
CSP0605W4R7N-□□	4.7	65	2.80	2.80
CSP0605W6R8M-□□	6.8	75	2.30	2.50
CSP0605W8R2M-□□	8.2	80	2.10	2.30
CSP0605W100M-□□	10	88	1.80	2.10
CSP0605W220M-□□	22	115	1.30	2.00
CSP0605W470M-□□	47	298	0.80	1.40

- Inductance Tolerance : M:±20%, N: ±30% tested at 100KHz
- Operating Temp : -40 to +125°C
- Rated current: smaller value of either Irms or Isat
Irms: The value of DC current when temperature rise is $\Delta T \leq 40^\circ\text{C}$. ($T_a=20^\circ\text{C}$)
Isat: For inductance drop 10% from its value without current
- Inductance measurement: HP4194A
- DCR measurement: 502BC milli-ohm meter.
- RDC measurement: 4284A+42841A+42842C
- MSL : LEVEL 1

POWER INDUCTORS CSP SERIES

CSP0703W

1. SHAPE & DIMENSION (UNIT:mm)



2. ELECTRICAL

PART NO.	L(uH)	DCR(Ω) max	RDC(A) Isat	RDC(A) Irms
CSP0703W1R0N-□□	1.0	0.012	6.40	5.37
CSP0703W2R2N-□□	2.2	0.020	4.80	4.02
CSP0703W3R3N-□□	3.3	0.325	4.10	3.10
CSP0703W4R7N-□□	4.7	0.060	4.20	2.32
CSP0703W100M-□□	10	0.072	2.20	1.83
CSP0703W120M-□□	12	0.098	2.15	1.73
CSP0703W150M-□□	15	0.13	1.75	1.51
CSP0703W180M-□□	18	0.14	1.70	1.41
CSP0703W220M-□□	22	0.19	1.40	1.38
CSP0703W270M-□□	27	0.21	1.30	1.27
CSP0703W330M-□□	33	0.24	1.15	1.22
CSP0703W390M-□□	39	0.32	1.10	1.03
CSP0703W470M-□□	47	0.36	1.00	0.85
CSP0703W560M-□□	56	0.47	0.88	0.84
CSP0703W680M-□□	68	0.52	0.84	0.74
CSP0703W820M-□□	82	0.69	0.78	0.69
CSP0703W101M-□□	100	0.79	0.76	0.62
CSP0703W121M-□□	120	0.89	0.68	0.60
CSP0703W151M-□□	150	1.27	0.53	0.56

POWER INDUCTORS CSP SERIES

CSP0703W

2. ELECTRICAL

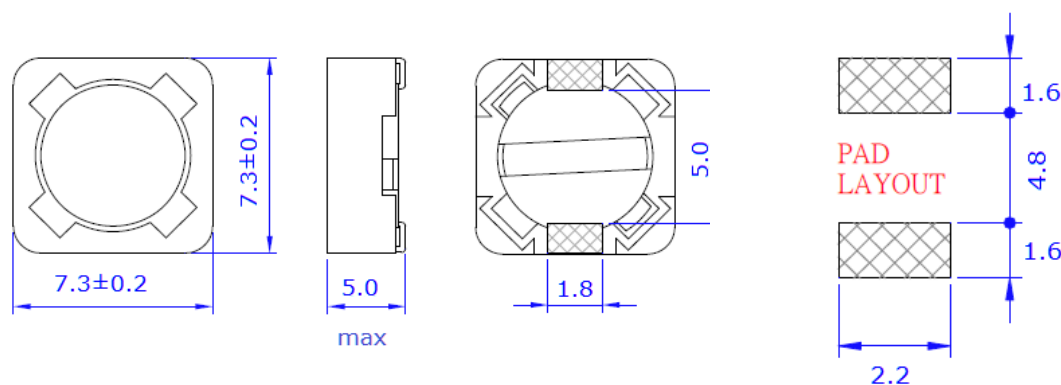
PART NO.	L(uH)	DCR(mΩ) max	RDC(A) Isat	RDC(A) Irms
CSP0703W181M-□□	180	1.45	0.50	0.49
CSP0703W221M-□□	220	1.65	0.42	0.43
CSP0703W271M-□□	270	2.31	0.39	0.40
CSP0703W331M-□□	330	2.62	0.35	0.32
CSP0703W391M-□□	390	2.94	0.34	0.30
CSP0703W471M-□□	470	4.18	0.31	0.30
CSP0703W561M-□□	560	4.67	0.30	0.27
CSP0703W681M-□□	680	5.73	0.22	0.22
CSP0703W821M-□□	820	6.50	0.20	0.21
CSP0703W102M-□□	1000	9.44	0.18	0.20

- Inductance Tolerance : M:±20%, N: ±30% tested at 1KHz
- Operating Temp : -40 to +125°C
- Rated current: smaller value of either Irms or Isat
 Irms: The value of DC current when temperature rise is $\Delta T \leq 40^\circ\text{C}$. (Ta=20°C)
 Isat: For inductance drop 10% from its value without current
- Inductance measurement: HP4194A
- DCR measurement: 502BC milli-ohm meter.
- RDC measurement: 4284A+42841A+42842C
- MSL : LEVEL 1

POWER INDUCTORS CSP SERIES

CSP0704W

1. SHAPE & DIMENSION (UNIT:mm)



2. ELECTRICAL

PART NO.	L(uH)	DCR(mΩ) max	RDC(A) Isat	RDC(A) Irms
CSP0704W1R0N-□□	1.0	10	10.20	6.84
CSP0704W2R2N-□□	2.2	20	6.50	6.00
CSP0704W3R3N-□□	3.3	30	4.60	5.00
CSP0704W4R7N-□□	4.7	40	4.00	4.00
CSP0704W100M-□□	10	49	2.60	2.00
CSP0704W120M-□□	12	58	2.40	1.82
CSP0704W150M-□□	15	81	2.20	1.60
CSP0704W180M-□□	18	91	2.05	1.50
CSP0704W220M-□□	22	110	1.70	1.41
CSP0704W270M-□□	27	150	1.55	1.24
CSP0704W330M-□□	33	170	1.40	1.13
CSP0704W390M-□□	39	230	1.23	1.11
CSP0704W470M-□□	47	260	1.10	1.03
CSP0704W560M-□□	56	350	1.05	0.93
CSP0704W680M-□□	68	380	0.95	0.87
CSP0704W820M-□□	82	430	0.90	0.84
CSP0704W101M-□□	100	610	0.75	0.79
CSP0704W121M-□□	120	660	0.70	0.67
CSP0704W151M-□□	150	880	0.63	0.52

POWER INDUCTORS CSP SERIES

CSP0704W

2. ELECTRICAL

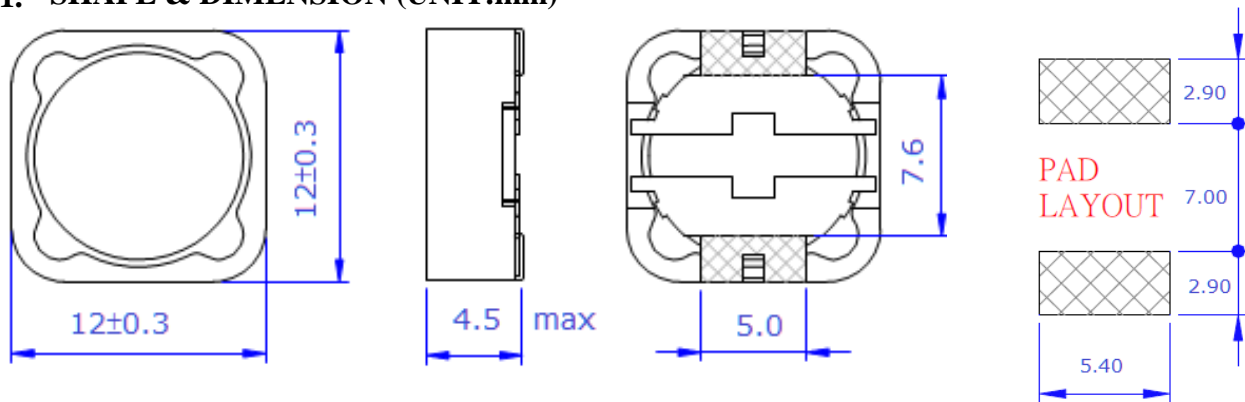
PART NO.	L(uH)	DCR(mΩ) max	RDC(A) Isat	RDC(A) Irms
CSP0704W181M-□□	180	980	0.56	0.51
CSP0704W221M-□□	220	1170	0.54	0.44
CSP0704W271M-□□	270	1640	0.48	0.43
CSP0704W331M-□□	330	1860	0.45	0.39
CSP0704W391M-□□	390	2850	0.42	0.38
CSP0704W471M-□□	470	3010	0.34	0.29
CSP0704W561M-□□	560	3620	0.31	0.28
CSP0704W681M-□□	680	4630	0.28	0.23
CSP0704W821M-□□	820	5200	0.26	0.21
CSP0704W102M-□□	1000	6000	0.25	0.20

- Inductance Tolerance : M:±20%, N: ±30% tested at 1KHz
- Operating Temp : -40 to +125°C
- Rated current: smaller value of either Irms or Isat
 Irms: The value of DC current when temperature rise is $\Delta T \leq 40^\circ\text{C}$. (Ta=20°C)
 Isat: For inductance drop 10% from its value without current
- Inductance measurement: HP4194A
- DCR measurement: 502BC milli-ohm meter.
- RDC measurement: 4284A+42841A+42842C
- MSL : LEVEL 1

POWER INDUCTORS CSP SERIES

CSP1204T

1. SHAPE & DIMENSION (UNIT:mm)



2. ELECTRICAL

PART NO.	L(uH)	Test Freq(KHz)	DCR(mΩ) max	RDC(A) Isat
CSP1204T3R9N-□□	3.9	100	15	6.50
CSP1204T4R7N-□□	4.7	100	18	5.70
CSP1204T6R8M-□□	6.8	100	23	4.90
CSP1204T8R2M-□□	8.2	100	26	4.60
CSP1204T100M-□□	10	100	45	4.50
CSP1204T120M-□□	12	100	38	4.00
CSP1204T150M-□□	15	100	50	3.20
CSP1204T180M-□□	18	100	57	3.10
CSP1204T220M-□□	22	100	66	2.90
CSP1204T270M-□□	27	100	80	2.80
CSP1204T330M-□□	33	100	97	2.70
CSP1204T390M-□□	39	100	132	2.10
CSP1204T470M-□□	47	100	150	1.90
CSP1204T560M-□□	56	100	190	1.80
CSP1204T680M-□□	68	100	220	1.50
CSP1204T820M-□□	82	100	260	1.30

POWER INDUCTORS CSP SERIES

CSP1204T

2. ELECTRICAL

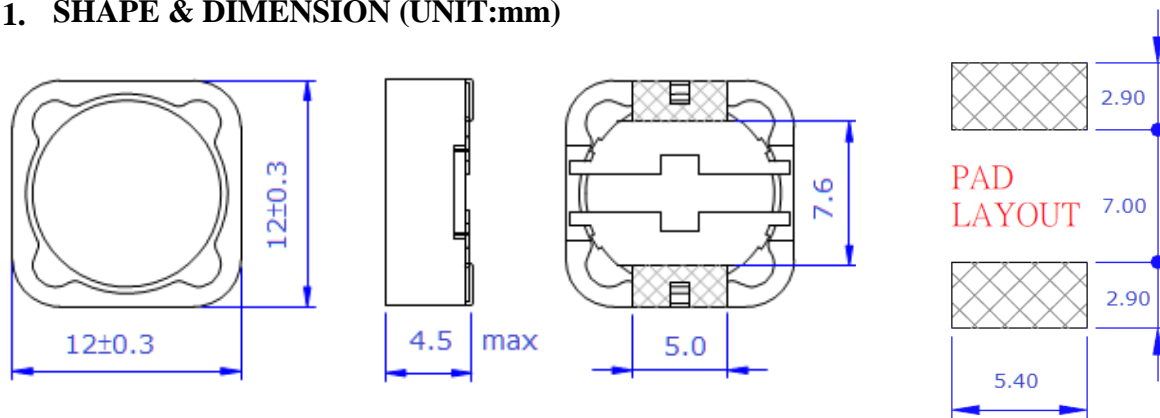
PART NO.	L(uH)	Test Freq(KHz)	DCR(mΩ) max	RDC(A) Isat
CSP1204T101M-□□	100	100	308	1.20
CSP1204T121M-□□	120	100	380	1.10
CSP1204T151M-□□	150	100	530	0.95
CSP1204T181M-□□	180	100	620	0.85
CSP1204T221M-□□	220	100	700	0.80
CSP1204T271M-□□	270	100	870	0.60
CSP1204T331M-□□	330	100	990	0.50

- Inductance Tolerance : M:±20%, N: ±30%
- Operating Temp : -40 to +105°C (including self-temperature rise)
- Isat: For inductance drop 25% from its value without current
- Inductance measurement: HP4194A
- DCR measurement: 502BC milli-ohm meter.
- RDC measurement: 4284A+42841A+42842C
- MSL : LEVEL 1

POWER INDUCTORS CSP SERIES

CSP1204W

1. SHAPE & DIMENSION (UNIT:mm)



2. ELECTRICAL

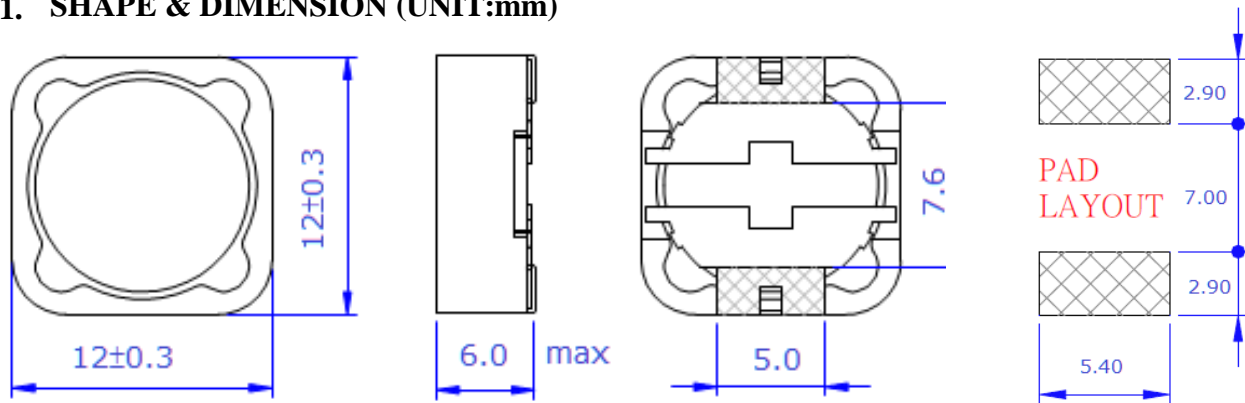
PART NO.	L(uH)	Test Freq(KHz)	DCR(mΩ)	RDC(A) Isat	RDC(A) Irms
CSP1204W0R6N-□□	0.6	100	5.5	19.00	9.50
CSP1204W1R0N-□□	1.0	100	7.0	13.90	8.50
CSP1204W1R8N-□□	1.8	100	9.5	10.20	7.60
CSP1204W2R5N-□□	2.5	100	11.0	8.50	6.80
CSP1204W3R3N-□□	3.3	100	13.0	7.10	5.90
CSP1204W4R7N-□□	4.7	100	16.0	6.30	5.20
CSP1204W6R8M-□□	6.8	100	25.0	4.70	4.30
CSP1204W100M-□□	10	1.0	30.0	4.20	3.80
CSP1204W120M-□□	12	1.0	38.0	3.60	3.50
CSP1204W180M-□□	18	1.0	43.0	3.20	3.20
CSP1204W220M-□□	22	1.0	54.0	3.10	2.90
CSP1204W330M-□□	33	1.0	85.0	2.50	2.30
CSP1204W470M-□□	47	1.0	125.0	2.10	2.00
CSP1204W101M-□□	100	1.0	270.0	1.40	1.30
CSP1204W221M-□□	220	1.0	480.0	1.00	0.95

- Operating Temp : -40 to +125°C
- Rated current: smaller value of either Irms or Isat
Irms: The value of DC current when temperature rise is $\Delta T \leq 40^\circ\text{C}$. ($T_a = 20^\circ\text{C}$)
Isat: For inductance drop 10% from its value without current
- Inductance measurement: HP4194A
- DCR measurement: 502BC milli-ohm meter.
- RDC measurement: 4284A+42841A+42842C
- MSL : LEVEL 1

POWER INDUCTORS CSP SERIES

CSP1205T

1. SHAPE & DIMENSION (UNIT:mm)



2. ELECTRICAL

PART NO.	L(uH)	Test Freq(KHz)	DCR(mΩ) max	RDC(A) Isat
CSP1205T1R3N-□□	1.3	100	12	8.00
CSP1205T2R1N-□□	2.1	100	14	7.00
CSP1205T3R1N-□□	3.1	100	17	6.00
CSP1205T4R4N-□□	4.4	100	20	5.00
CSP1205T5R8M-□□	5.8	100	21	4.40
CSP1205T7R5M-□□	7.5	100	24	4.20
CSP1205T100M-□□	10	100	25	4.00
CSP1205T120M-□□	12	100	27	3.50
CSP1205T150M-□□	15	100	30	3.30
CSP1205T180M-□□	18	100	34	3.00
CSP1205T220M-□□	22	100	36	2.80
CSP1205T270M-□□	27	100	51	2.30
CSP1205T330M-□□	33	100	57	2.10
CSP1205T390M-□□	39	100	68	2.00
CSP1205T470M-□□	47	100	75	1.80
CSP1205T560M-□□	56	100	110	1.70
CSP1205T680M-□□	68	100	120	1.50
CSP1205T820M-□□	82	100	140	1.40



HITANO ENTERPRISE CORP.

TEL:886-2-22991331 FAX:886-2-22982466

POWER INDUCTORS CSP SERIES

CSP1205T

2. ELECTRICAL

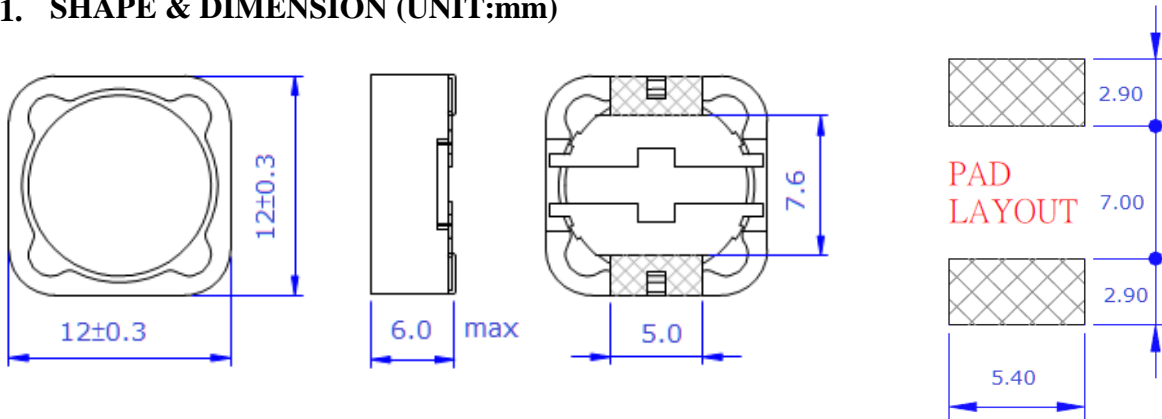
PART NO.	L(uH)	Test Freq(KHz)	DCR(mΩ) max	RDC(A) Isat
CSP1205T101M-□□	100	100	160	1.30
CSP1205T121M-□□	120	100	170	1.10
CSP1205T151M-□□	150	100	230	1.00
CSP1205T181M-□□	180	100	290	0.90
CSP1205T221M-□□	220	100	400	0.80
CSP1205T271M-□□	270	100	460	0.75
CSP1205T331M-□□	330	100	510	0.68
CSP1205T391M-□□	390	100	690	0.65
CSP1205T471M-□□	470	100	770	0.58
CSP1205T561M-□□	560	100	860	0.54
CSP1205T681M-□□	680	100	1200	0.48
CSP1205T821M-□□	820	100	1340	0.43
CSP1205T102M-□□	1000	100	1530	0.40

- Inductance Tolerance : M:±20%, N: ±30%
- Operating Temp : -40 to +105°C (including self-temperature rise)
- Isat: For inductance drop 25% from its value without current
- Inductance measurement: HP4194A
- DCR measurement: 502BC milli-ohm meter.
- RDC measurement: 4284A+42841A+42842C
- MSL : LEVEL 1

POWER INDUCTORS CSP SERIES

CSP1205W

1. SHAPE & DIMENSION (UNIT:mm)



2. ELECTRICAL

PART NO.	L(uH)	Test Freq(KHz)	DCR(mΩ)	RDC(A) Isat	RDC(A) Irms
CSP1205W1R5N-□□	1.50	1.0	6	12.50	10.50
CSP1205W2R2N-□□	2.20	1.0	8	11.00	10.00
CSP1205W3R5N-□□	3.50	1.0	8	9.00	9.25
CSP1205W4R7N-□□	4.70	1.0	11	8.00	8.25
CSP1205W6R8M-□□	6.80	1.0	22	6.00	5.60
CSP1205W8R2M-□□	8.20	1.0	20	6.25	6.25
CSP1205W100M-□□	10.0	1.0	25	5.50	5.00
CSP1205W120M-□□	12.0	1.0	27	4.85	3.91
CSP1205W150M-□□	15.0	1.0	30	4.55	3.75
CSP1205W180M-□□	18.0	1.0	34	4.30	3.48
CSP1205W220M-□□	22.0	1.0	36	3.77	3.37
CSP1205W270M-□□	27.0	1.0	51	3.55	2.97
CSP1205W330M-□□	33.0	1.0	57	3.00	2.68
CSP1205W390M-□□	39.0	1.0	68	2.74	2.49
CSP1205W470M-□□	47.0	1.0	75	2.60	2.21

POWER INDUCTORS CSP SERIES

CSP1205W

2. ELECTRICAL

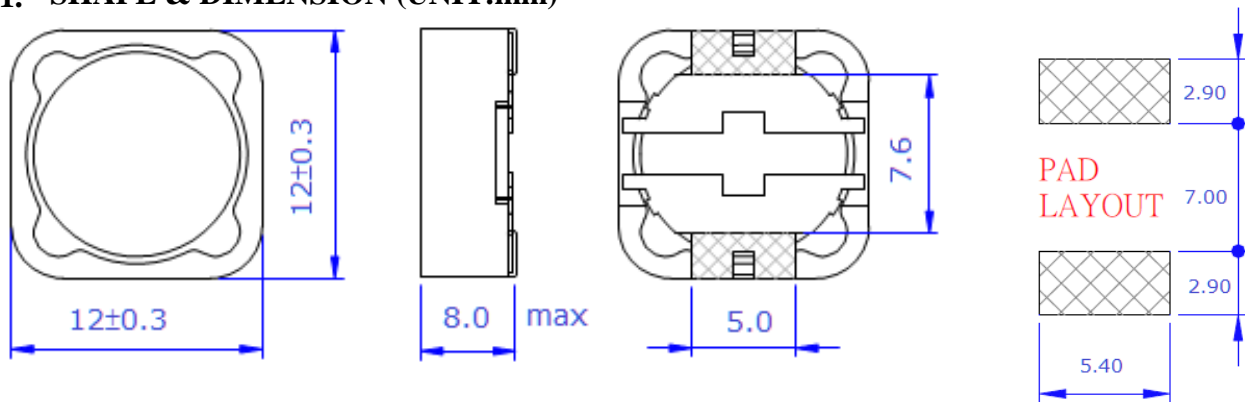
PART NO.	L(uH)	Test Freq(KHz)	DCR(mΩ)	RDC(A) Isat	RDC(A) Irms
CSP1205W560M-□□	56.0	1.0	110	2.35	2.01
CSP1205W680M-□□	68.0	1.0	120	2.19	1.91
CSP1205W820M-□□	82.0	1.0	140	1.88	1.65
CSP1205W101M-□□	100	1.0	160	1.70	1.53
CSP1205W121M-□□	120	1.0	170	1.56	1.30
CSP1205W151M-□□	150	1.0	230	1.43	1.20
CSP1205W181M-□□	180	1.0	290	1.24	1.06
CSP1205W221M-□□	220	1.0	400	1.20	0.96
CSP1205W271M-□□	270	1.0	460	1.00	0.89
CSP1205W331M-□□	330	1.0	510	0.97	0.78
CSP1205W391M-□□	390	1.0	690	0.85	0.68
CSP1205W471M-□□	470	1.0	770	0.80	0.64
CSP1205W561M-□□	560	1.0	860	0.70	0.62
CSP1205W681M-□□	680	1.0	1200	0.68	0.55
CSP1205W821M-□□	820	1.0	1340	0.60	0.51
CSP1205W102M-□□	1000	1.0	1530	0.50	0.43

- Operating Temp : -40 to +125°C
- Rated current: smaller value of either Irms or Isat
 Irms: The value of DC current when temperature rise is $\Delta T \leq 40^\circ\text{C}$. (Ta=20°C)
 Isat: For inductance drop 10% from its value without current
- Inductance measurement: HP4194A
- DCR measurement: 502BC milli-ohm meter.
- RDC measurement: 4284A+42841A+42842C
- MSL : LEVEL 1

POWER INDUCTORS CSP SERIES

CSP1207T

1. SHAPE & DIMENSION (UNIT:mm)



2. ELECTRICAL

PART NO.	L(uH)	Test Freq(KHz)	DCR(mΩ) max	RDC(A) Isat
CSP1207T1R2N-□□	1.20	100	7	9.80
CSP1207T2R4N-□□	2.40	100	12	8.00
CSP1207T3R5N-□□	3.50	100	14	7.50
CSP1207T4R7N-□□	4.70	100	16	6.80
CSP1207T6R1M-□□	6.10	100	18	6.60
CSP1207T7R6M-□□	7.60	100	20	5.90
CSP1207T100M-□□	10.0	100	22	5.40
CSP1207T120M-□□	12.0	100	25	4.90
CSP1207T150M-□□	15.0	100	27	4.50
CSP1207T180M-□□	18.0	100	40	3.90
CSP1207T220M-□□	22.0	100	44	3.60
CSP1207T270M-□□	27.0	100	46	3.40
CSP1207T330M-□□	33.0	100	65	3.00
CSP1207T390M-□□	39.0	100	73	2.75
CSP1207T470M-□□	47.0	100	100	2.50
CSP1207T560M-□□	56.0	100	110	2.35

POWER INDUCTORS CSP SERIES

CSP1207T

2. ELECTRICAL

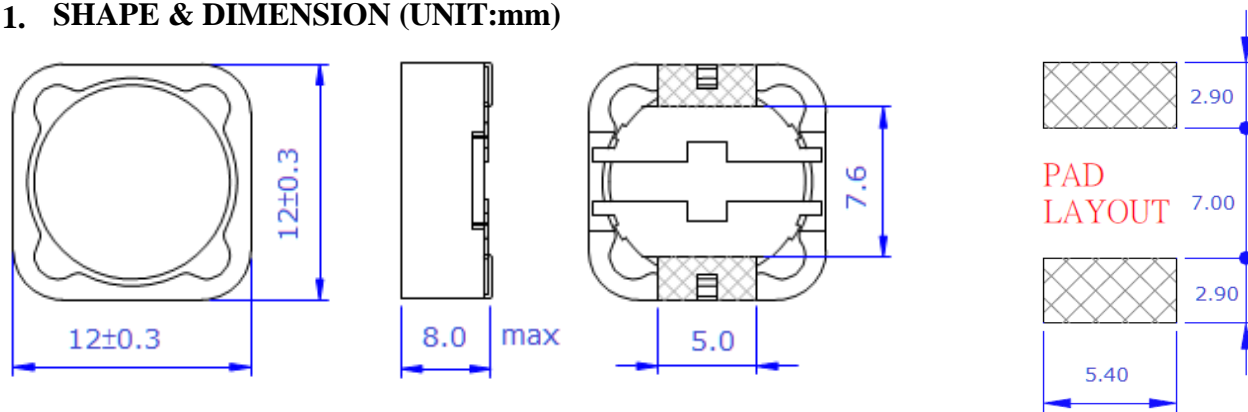
PART NO.	L(uH)	Test Freq(KHz)	DCR(mΩ) max	RDC(A) Isat
CSP1207T680M-□□	68.0	100	140	2.10
CSP1207T820M-□□	82.0	100	160	1.95
CSP1207T101M-□□	100	100	220	1.70
CSP1207T121M-□□	120	100	250	1.60
CSP1207T151M-□□	150	100	280	1.42
CSP1207T181M-□□	180	100	350	1.30
CSP1207T221M-□□	220	100	390	1.16
CSP1207T271M-□□	270	100	560	1.06
CSP1207T331M-□□	330	100	640	0.95
CSP1207T391M-□□	390	100	700	0.88
CSP1207T471M-□□	470	100	980	0.79
CSP1207T561M-□□	560	100	1070	0.73
CSP1207T681M-□□	680	100	1460	0.67
CSP1207T821M-□□	820	100	1640	0.60
CSP1207T102M-□□	1000	100	1820	0.55

- Inductance Tolerance : M:±20%, N: ±30%
- Operating Temp : -40 to +105°C (including self-temperature rise)
- Isat: For inductance drop 25% from its value without current
- Inductance measurement: HP4194A
- DCR measurement: 502BC milli-ohm meter.
- RDC measurement: 4284A+42841A+42842C
- MSL : LEVEL 1

POWER INDUCTORS CSP SERIES

CSP1207W

1. SHAPE & DIMENSION (UNIT:mm)



2. ELECTRICAL

PART NO.	L(uH)	Test Freq(KHz)	DCR(mΩ) max	RDC(A) Isat	RDC(A) Irms
CSP1207WR47N-□□	0.47	100	3	26.40	23.50
CSP1207WR75N-□□	0.75	100	4	21.00	19.80
CSP1207W1R2N-□□	1.20	100	7	16.60	12.00
CSP1207W1R5N-□□	1.50	100	6	12.00	10.00
CSP1207W2R4N-□□	2.40	100	12	14.30	10.10
CSP1207W3R5N-□□	3.50	100	14	9.60	8.90
CSP1207W4R7N-□□	4.70	100	16	9.30	8.50
CSP1207W5R6M-□□	5.60	100	10	8.20	8.00
CSP1207W6R1M-□□	6.10	100	18	8.60	7.60
CSP1207W7R6M-□□	7.60	100	20	8.00	7.40
CSP1207W100M-□□	10.0	1.0	22	6.60	6.20
CSP1207W120M-□□	12.0	1.0	24	6.30	5.90
CSP1207W150M-□□	15.0	1.0	27	6.00	5.00
CSP1207W180M-□□	18.0	1.0	39	5.40	4.20
CSP1207W220M-□□	22.0	1.0	43	5.00	4.10
CSP1207W270M-□□	27.0	1.0	46	3.80	3.70

POWER INDUCTORS CSP SERIES

CSP1207W

2. ELECTRICAL

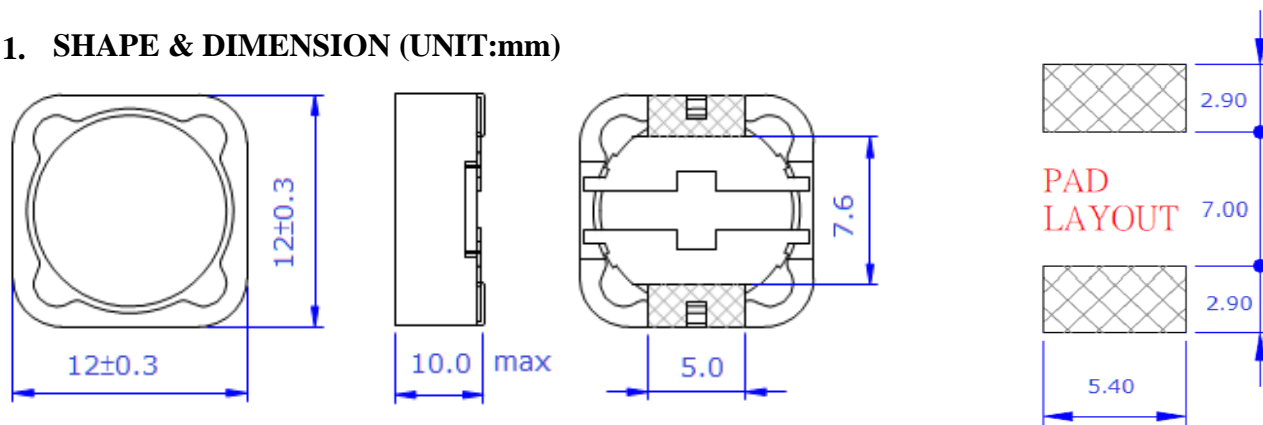
PART NO.	L(uH)	Test Freq(KHz)	DCR(mΩ) max	RDC(A) Isat	RDC(A) Irms
CSP1207W330M-□□	33.0	1.0	64	3.60	3.20
CSP1207W390M-□□	39.0	1.0	73	3.50	3.00
CSP1207W470M-□□	47.0	1.0	100	3.00	2.70
CSP1207W560M-□□	56.0	1.0	110	2.90	2.40
CSP1207W680M-□□	68.0	1.0	140	2.50	2.30
CSP1207W820M-□□	82.0	1.0	160	2.45	2.25
CSP1207W101M-□□	100	1.0	220	2.40	2.20
CSP1207W151M-□□	150	1.0	280	1.80	1.80
CSP1207W181M-□□	180	1.0	350	1.60	1.40
CSP1207W221M-□□	220	1.0	390	1.49	1.30
CSP1207W331M-□□	330	1.0	640	1.10	1.10
CSP1207W471M-□□	470	1.0	980	0.90	0.90
CSP1207W561M-□□	560	1.0	1070	0.90	0.80
CSP1207W681M-□□	680	1.0	1460	0.80	0.70
CSP1207W821M-□□	820	1.0	1640	0.80	0.60
CSP1207W102M-□□	1000	1.0	1820	0.70	0.60

- Inductance Tolerance : M:±20%, N: ±30%
- Operating Temp : -40 to +125°C
- Rated current: smaller value of either Irms or Isat
 Irms: The value of DC current when temperature rise is $\Delta T \leq 40^\circ\text{C}$. ($T_a = 20^\circ\text{C}$)
 Isat: For inductance drop 10% from its value without current
- Inductance measurement: HP4194A
- DCR measurement: 502BC milli-ohm meter.
- RDC measurement: 4284A+42841A+42842C
- MSL : LEVEL 1

POWER INDUCTORS CSP SERIES

CSP1209W

1. SHAPE & DIMENSION (UNIT:mm)



2. ELECTRICAL

PART NO.	L(uH)	DCR(mΩ) max	RDC(A) Isat	RDC(A) I _{rms}
CSP1209W1R0N-□□	1.0	6.0	25.00	13.00
CSP1209W2R2N-□□	2.2	6.0	20.00	11.50
CSP1209W3R5N-□□	3.5	9.0	16.50	11.00
CSP1209W4R7N-□□	4.7	11.0	13.00	9.30
CSP1209W6R8N-□□	6.8	14.0	12.80	8.40
CSP1209W100N-□□	10	21.0	10.50	7.10
CSP1209W150M-□□	15	26.0	8.00	6.50
CSP1209W220M-□□	22	28.0	6.50	5.30
CSP1209W270M-□□	27	40.0	5.80	4.60
CSP1209W330M-□□	33	45.0	5.50	4.20
CSP1209W390M-□□	39	56.0	5.00	4.10
CSP1209W470M-□□	47	60.0	4.50	3.80
CSP1209W680M-□□	68	89.0	3.60	3.20
CSP1209W820M-□□	82	90.5	3.40	2.75
CSP1209W101M-□□	100	110	3.10	2.50

POWER INDUCTORS CSP SERIES

CSP1209W

2. ELECTRICAL

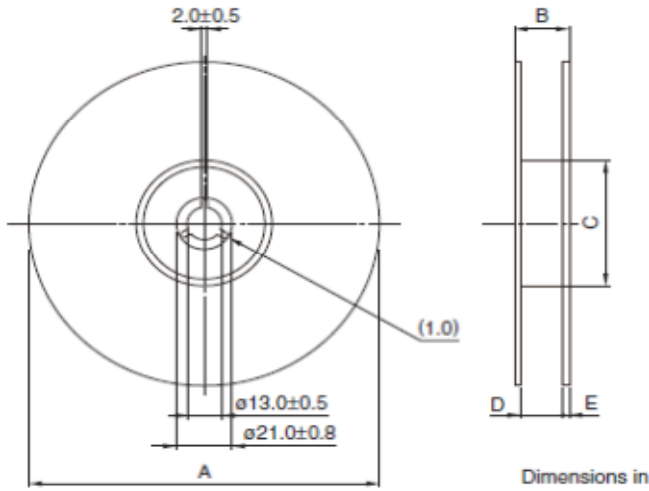
PART NO.	L(uH)	DCR(mΩ) max	RDC(A) Isat	RDC(A) Irms
CSP1209W151M-□□	150	200	2.70	2.10
CSP1209W221M-□□	220	300	2.20	1.80
CSP1209W271M-□□	270	330	2.10	1.60
CSP1209W331M-□□	330	430	1.70	1.50
CSP1209W471M-□□	470	560	1.50	1.40
CSP1209W681M-□□	680	825	1.30	1.10
CSP1209W821M-□□	820	1000	1.10	0.95
CSP1209W102M-□□	1000	1200	1.00	0.90
CSP1209W152M-□□	1500	2300	0.80	0.70

- Inductance Tolerance : M:±20%, N: ±30% tested at 1KHz
- Operating Temp : -40 to +125°C
- Rated current: smaller value of either Irms or Isat
 Irms: The value of DC current when temperature rise is $\Delta T \leq 40^\circ\text{C}$. (Ta=20°C)
 Isat: For inductance drop 10% from its value without current
- Inductance measurement: HP4194A
- DCR measurement: 502BC milli-ohm meter.
- RDC measurement: 4284A+42841A+42842C
- MSL : LEVEL 1

WIRE WOUND POWER INDUCTOR CSP SERIES

■ Packaging

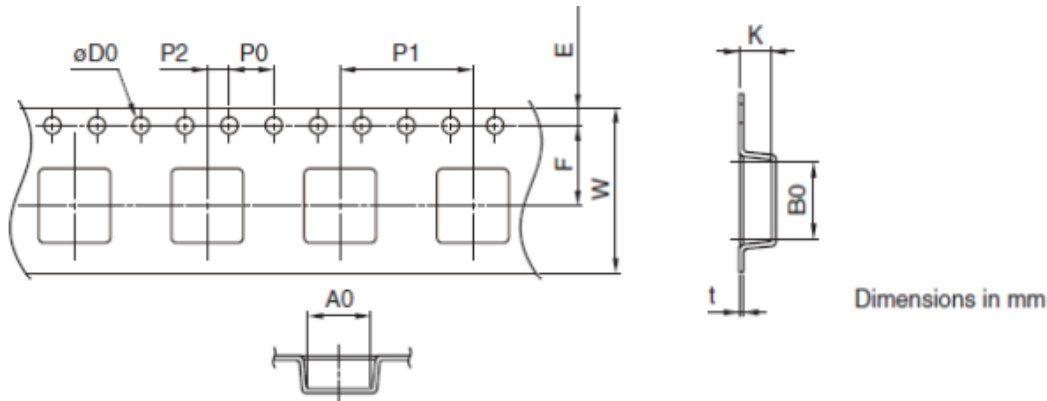
■ Reel Dimension



Type	A	B	C	D	E
CSP0603	φ330	22.4	φ50	16.4	2
CSP0605	φ330	22.4	φ50	16.4	2
CSP0703	φ330	22.4	φ50	16.4	2
CSP0704	φ330	22.4	φ50	16.4	2
CSP1204	φ330	30.4	φ50	24.4	2
CSP1205	φ330	30.4	φ50	24.4	2
CSP1207	φ330	30.4	φ50	24.4	2
CSP1209	φ330	30.4	φ50	24.4	2

Unit: mm

■ Tape Dimensions



Type	A0	B0	φD0	E	F	P0	P1	P2	W	K	t
CSP0603	6.4	6.4	1.5+0.1/-0	1.75±0.1	7.5±0.1	4.0±0.1	12.0±0.1	2.0±0.05	16.0±0.3	3.1	0.4
CSP0605	6.4	6.4	1.5+0.1/-0	1.75±0.1	7.5±0.1	4.0±0.1	12.0±0.1	2.0±0.05	16.0±0.3	3.1	0.4
CSP0703	7.4	7.6	1.5+0.1/-0	1.75±0.1	7.5±0.1	4.0±0.1	12.0±0.1	2.0±0.05	16.0±0.3	3.6	0.4
CSP0704	7.4	7.6	1.5+0.1/-0	1.75±0.1	7.5±0.1	4.0±0.1	12.0±0.1	2.0±0.05	16.0±0.3	4.8	0.4
CSP1204	13	13	1.5+0.1/-0	1.75±0.1	11.5±0.1	4.0±0.1	16.0±0.1	2.0±0.05	24.0±0.3	6.0	0.4
CSP1205	13	13	1.5+0.1/-0	1.75±0.1	11.5±0.1	4.0±0.1	16.0±0.1	2.0±0.05	24.0±0.3	6.0	0.4
CSP1207	13	13	1.5+0.1/-0	1.75±0.1	11.5±0.1	4.0±0.1	16.0±0.1	2.0±0.05	24.0±0.3	7.0	0.34
CSP1209	13	13	1.5+0.1/-0	1.75±0.1	11.5±0.1	4.0±0.1	16.0±0.1	2.0±0.05	24.0±0.3	8.0	0.34