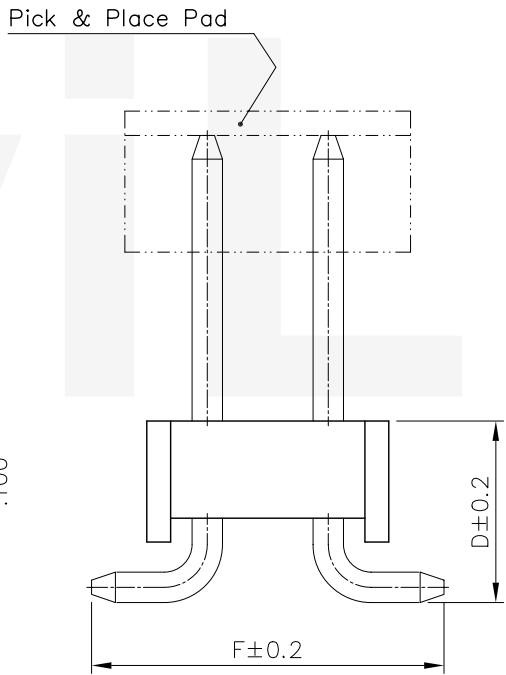
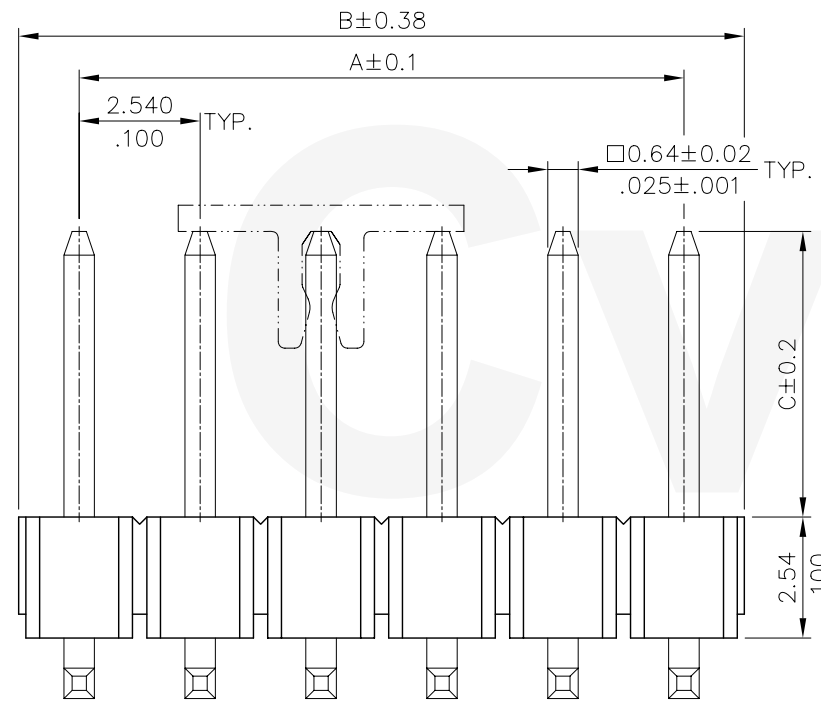


Recommended P.C. Board Layout



DIM. A = 2.54 X No. of Spaces
 DIM. B = DIM. A + 2.36
 * Available in 4 through 80 Circuits

Material:
 * Insulator: Nylon 6T With 30% GF. UL 94V-0 Color Black
 * Square Pin: Brass
 * Pick & Place Pad: Nylon 6T UL 94V-0 Color Nature

Ordering Code:

CH81 ** * M 1 ** - 0 *
 ① ② ③ ④ ⑤ ⑥ ⑦ ⑧

- ① Series No.
- ② No. of Contact: 04 to 80
- ③ Plating code:
 1=3.05μm(120μ") Min. Tin over 0.79μm(30μ") Nickel
 2=Gold Flash plated over 1.27μm(50μ") Nickel
 3=0.38μm(15μ") Gold plated over 1.27μm(50μ") Nickel
 4=0.76μm(30μ") Gold plated over 1.27μm(50μ") Nickel
- ④ Tail & Mounting Style:
 M=Straight SMT Type
- ⑤ Insulator Material & Color:
 1=Nylon 6T , Color Black
- ⑥ Option Code:
 See Table PDF. File No. CH8135T
- ⑦ Pin Size: 0=Original design
- ⑧ 0=Without Pick & Place Pad (Tube packaged)
 P=With Pick & Place Pad (Tape & Reel packing)
 A=With Pick & Place Pad (Tube packaged)

RoHS Compliant

④						DATE	UNIT: mm / inch	TITLE: 2.54mm(.100") DUAL ROW SURFACE BOARD MOUNT PIN HEADER	 瀚荃股份有限公司 CviLux Corporation	
③	Sun	1/20/06'	ECN06019		DRAWN BY:	Sun	1/23 06'	TOLERANCE UNLESS OTHERWISE SPECIFIED		MATERIAL:
②	Sandy	10/7/05'	ECN05295		ENGINEER:	Eisley	1/26 06'	.X ± 0.25/.010 X' ± 1'		
①	SUN	5/07/04'	ECN04183		CHECKED BY:	David	1/26 06'	.XX ± 0.15/.006 .X' ±	FINISH:	DRAWING NO. CH8135SE PART NO. CH81***M1**-0*
SYM	NAME	DATE	REVISIONS		APPROVED BY:	Alex	1/26 06'	.XXX ± 0.10/.004 .XX' ±	SCALE 6 / 1 SHEET 1 OF 1	