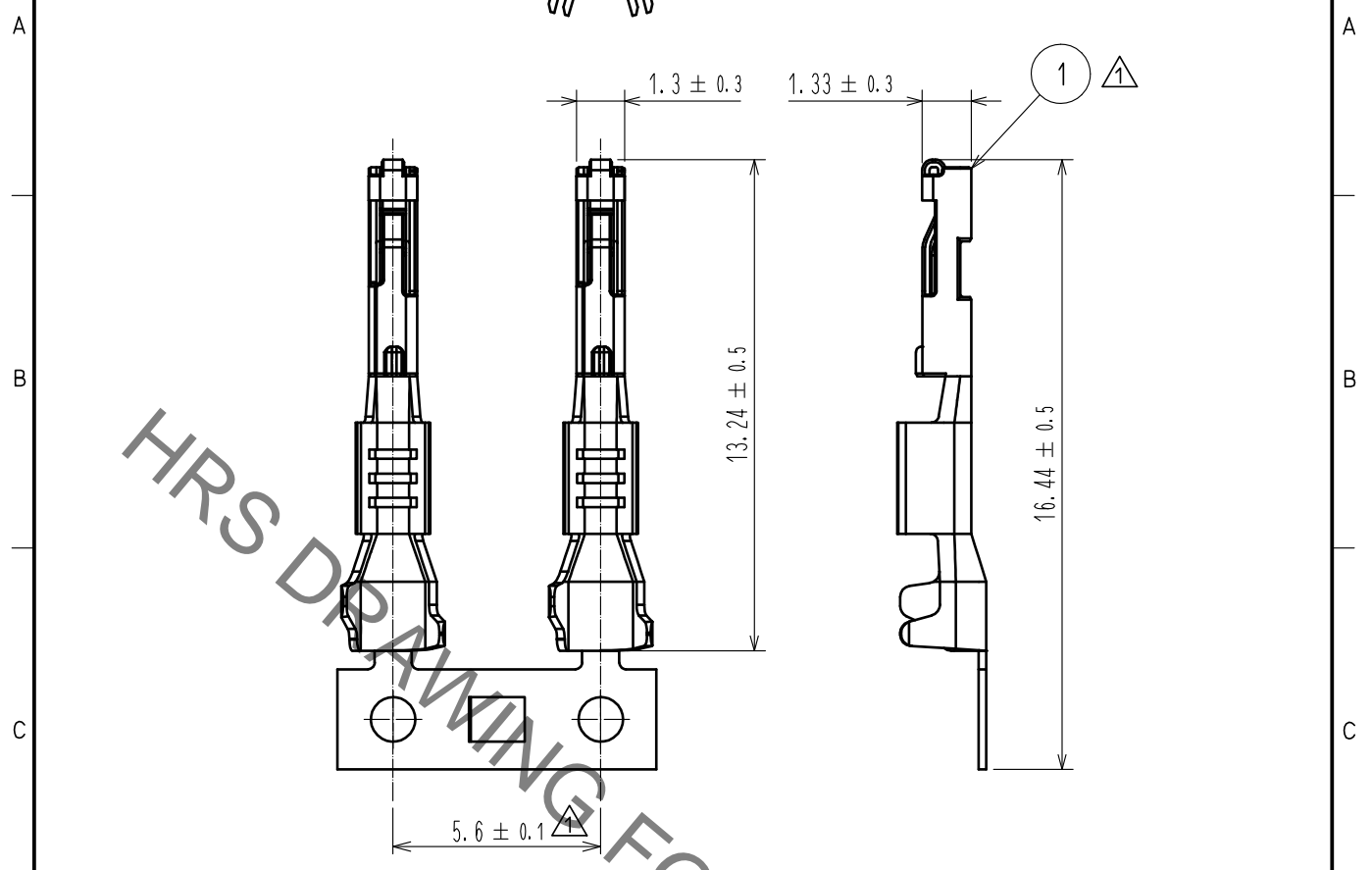


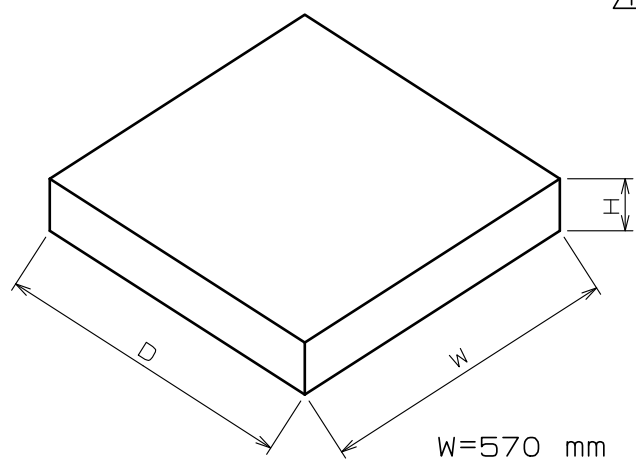
Mar.1.2020 Copyright 2020 HIROSE ELECTRIC CO., LTD. All Rights Reserved.
 In case of consideration for using Automotive equipment / device which demand high reliability, kindly contact our sales window correspondents.

ELV, RoHS COMPLIANT

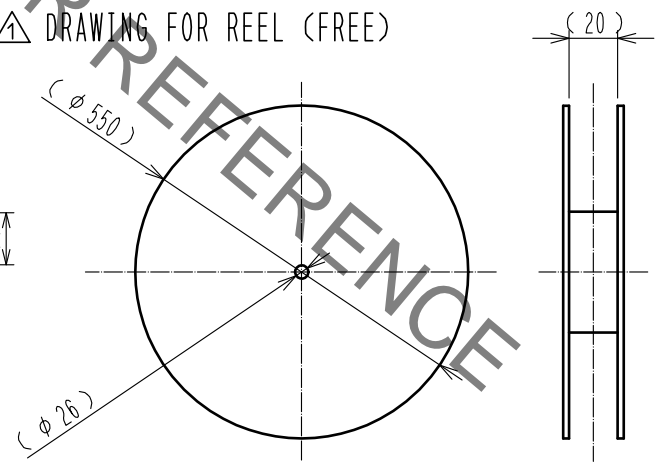


△ PACKING STYLE

△ DRAWING FOR REEL (FREE)



W=570 mm
 D=570 mm
 H= 50 mm



Note1. 10,000PCS/RL

1	COPPER ALLOY	SURFACE : TIN PLATING 1μm min UNDER : COPPER PLATING 0.3μm min						
NO.	MATERIAL	FINISH . REMARKS		NO.	MATERIAL	FINISH . REMARKS		
	UNITS mm	SCALE 5 : 1	COUNT 4	DESCRIPTION OF REVISIONS DIS-T-00004416		DESIGNED YH. MAMADA	CHECKED HK. UMEHARA	DATE 20190314
HIROSE ELECTRIC CO., LTD.		APPROVED : HK. UMEHARA 20170316		DRAWING NO. EDC-368625-00-00				
		CHECKED : HK. UMEHARA 20170316		PART NO. ZE05-2022SCF				
		DESIGNED : TY. ISHIGURO 20170316		CODE NO. CL752-2001-0-00				
		DRAWN : MN. SATOH 20170316						