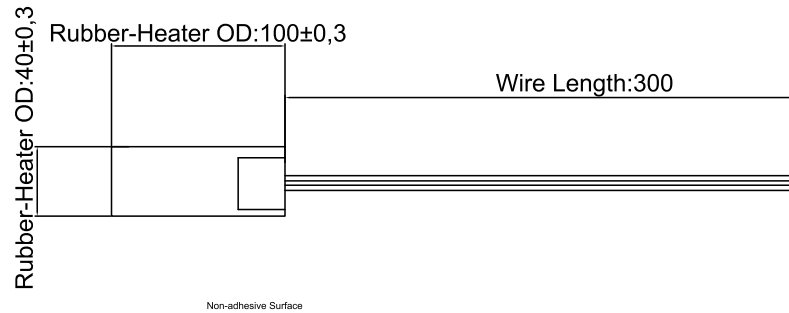



Ver.	Modify No.	Details	Area	P.I.C	Date



Technical Datasheet:

1. Rubber-Heater Size: 100mm*40mm*1.8mm
2. Rubber-Heater Power/Voltage: 20W / 24V
3. Wire Length: 300mm

Part No.		BTP-RH 100x40			
Product Name: 100x40mm Rubber-Heater		Drawing No.		RH100x40230728	
		Project Code.		RH100x40	
Designed by:		Curry.Wang		Business Unit: SNT-BTP	
Checked by:		Rocky.Liu			
Approved by:		Cale.Chen		Period Mark	
Workmanship:		Jin.Yu		View Angle	
Standardization:		Link.Chen		Ratio	
Released by:		Rocky.Liu		A	
BOM Code		0.21.055.00.0000		Page 1	
Product Series		BTP-ACC		Total 1 Page	
 思诺泰科创电子(苏州)有限公司 SINOTELECTRONICS INC.					