

MODEL NO : TM050RDZG03

MODEL VERSION: 30

SPEC VERSION : 2.0

ISSUED DATE: 2020-05-19

- Preliminary Specification
- Final Product Specification

Customer : _____

Approved by	Notes

TIANMA Confirmed :

Prepared by	Checked by	Approved by
Gang.Li	Longping.Deng	Kevin.Kim

This technical specification is subjected to change without notice

Table of Contents

Table of Contents	2
Record of Revision.....	3
1 General Specifications.....	4
2 Input/Output Terminals	5
3 Absolute Maximum Ratings.....	6
4 Electrical Characteristics	7
5 Timing Chart.....	9
6 Optical Characteristics	12
7 Environmental / Reliability Test.....	15
8 Mechanical Drawing	16
9 Packing Drawing	17
10 Precautions for Use of LCD Modules.....	18

Record of Revision

Rev	Issued Date	Description	Editor
1.0	2018-11-06	Preliminary Specification released.	Gang.Li
1.1	2020-03-19	Update mechanical drawing on page16.	Gang.Li
2.0	2020-05-19	Update total weight on page17. Final specification released.	Gang.Li

The information contained herein is the exclusive property of TIANMA MICRO-ELECTRONICS Corporation and shall not be distributed, reproduced, or disclosed in whole or in part without prior written permission of TIANMA MICRO-ELECTRONICS Corporation.

1 General Specifications

	Feature	Spec
Display Spec.	Size	5.0 inch
	Resolution	800(RGB) x 480
	Technology Type	a-Si
	Pixel Configuration	R.G.B. Vertical Stripe
	Pixel pitch(mm)	0.135*0.135
	Display Mode	Transmissive, Normally White
	Surface Treatment	Anti-Glare(3H)
	Viewing Direction	12 o'clock
	Gray Scale Inversion Direction	6 o'clock
Mechanical Characteristics	LCM (W x H x D) (mm)	120.7x77.8x5.7
	Active Area(mm)	108.00x64.80
	With /Without TSP	Without TSP
	Matching Connection Type	IRISO: IMSA-11501S-40A-GFN1
	LED Numbers	18 LEDs
	Weight (g)	76
Electrical Characteristics	Interface	RGB 24bits
	Color Depth	16.7M
	Driver IC	HX8664*1+HX8264*1

Note 1: Viewing direction for best image quality is different from TFT definition. There is a 180 degree shift.

Note 2: Requirements on Environmental Protection: Q/S0002

Note 3: LCM weight tolerance: $\pm 5\%$

2 Input/Output Terminals

No	Symbol	I/O	Description	Comment
1	NC	-	No connection	
2	NC	-	No connection	
3	GND	P	Ground	
4	VDD	P	Power supply	
5	R0	I	Data input	
6	R1	I	Data input	
7	R2	I	Data input	
8	R3	I	Data input	
9	R4	I	Data input	
10	R5	I	Data input	
11	R6	I	Data input	
12	R7	I	Data input	
13	G0	I	Data input	
14	G1	I	Data input	
15	G2	I	Data input	
16	G3	I	Data input	
17	G4	I	Data input	
18	G5	I	Data input	
19	G6	I	Data input	
20	G7	I	Data input	
21	B0	I	Data input	
22	B1	I	Data input	
23	B2	I	Data input	
24	B3	I	Data input	
25	B4	I	Data input	
26	B5	I	Data input	
27	B6	I	Data input	
28	B7	I	Data input	
29	GND	P	Ground	
30	CLKIN	I	Clock for input data. Data latched at falling edge of this signal.	
31	STBYB	I	Standby mode. STBYB="1": Normally operation. STBYB="0": Standby mode .	
32	HSD	I	Horizontal sync input.	
33	VSD	I	Vertical sync input	
34	DEN	I	Data input enable(unnecessary)	
35	NC	--	No connection	
36	GND	P	Ground	
37	LED_A	I	LED Anode(+)	
38	LED_K1	I	LED Cathod(-)	
39	LED_K2	I	LED Cathod(-)	
40	LED_K3	I	LED Cathod(-)	

Note1: Please add the FPC connector type and matched one if necessary .

Note2: I——Input, O——Output, P——Power/Ground

The information contained herein is the exclusive property of TIANMA MICRO-ELECTRONICS Corporation and shall not be distributed, reproduced, or disclosed in whole or in part without prior written permission of TIANMA MICRO-ELECTRONICS Corporation.

3 Absolute Maximum Ratings

GND=0V

Item	Symbol	MIN	MAX	Unit	Remark
Power Voltage	VCC	-0.3	4.5	V	Note1
Input voltage	V _{IN}	-0.3	5.0	V	
Operating Temperature	Top	-30	85	°C	
Storage Temperature	Tst	-40	90	°C	
Relative Humidity Note2	RH	--	≤95	%	Ta≤40°C
		--	≤85	%	40°C < Ta ≤ 50°C
		--	≤55	%	50°C < Ta ≤ 60°C
		--	≤36	%	60°C < Ta ≤ 70°C
		--	≤24	%	70°C < Ta ≤ 80°C
Absolute Humidity	AH	--	≤70	g/m ³	Ta>70°C

Table 3 Absolute Maximum Ratings

Note1: Input voltage include R0~R5, G0~G5, B0~B5, Dotclk, Hsync, Vsync, Enable, R/L, U/D.
User should set input voltage on recommend value.

Note2: Ta means the ambient temperature.

It is necessary to limit the relative humidity to the specified temperature range.
Condensation on the module is not allowed.

4 Electrical Characteristics

4.1 Driving TFT LCD Panel

Item	Symbol	Min	Typ	Max	Unit	Remark
Supply Voltage	VDD	3.0	3.3	3.6	V	
Input Signal Voltage	Low Level	V_{IL}	0	--	$0.3 \times VDD$	V
	High Level	V_{IH}	$0.7 \times VDD$	--	VDD	V
Output Signal Voltage	Low Level	V_{OL}	--	--	GND+0.4	V
	High Level	V_{OH}	$VDD-0.4$	--	--	V
(Panel+LSI) Power Consumption	Black Mode (60Hz)	-	282	482	mW	Note1
	Standby Mode	-	100	150	mW	

Table 4.1 TFT LCD characteristics

Note1: For different LCM, the value may have a bit of difference. To test the current dissipation, use "all Black Pattern".

4.2 Backlight Unit

Item	Symbol	Min	Typ	Max	Unit	Remark
Channel1	I_F	-	175	-	mA	Note 1
Forward Voltage	V_F	-	9.3	9.9	V	
Backlight Power Consumption	W_{BL}	-	1628		mW	
Life Time	-	50000	-	-	Hrs	Note 3

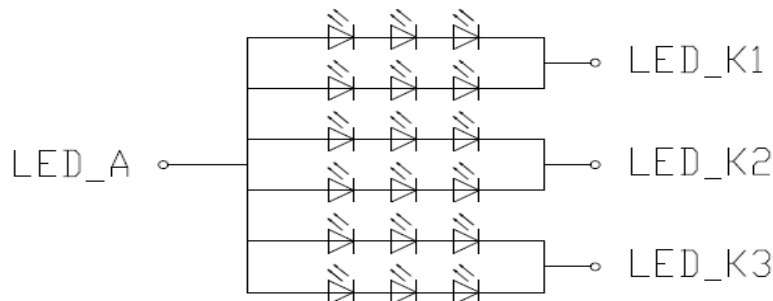
Table 4.2 LED backlight characteristics

Note1: The LED driving condition is defined for each LED module (3 LED Serial, 6 LED Parallel).

Note2: Under LCM operating, a constant forward current should be used. And forward voltage is for reference only.

Note3: I_F is defined for one channel LED. Optical performance should be evaluated at $T_a=25^\circ\text{C}$ only if LED is driven by high current, high ambient temperature & Humidity condition. The life time of LED will be reduced. Operating life means brightness goes down to 50% initial brightness. Typical operating life time is estimated data.

Note4: The LED driving condition is defined for each LED module.



LED circuit

Figure 4.2 LED connection of backlight

4.3 Block Diagram

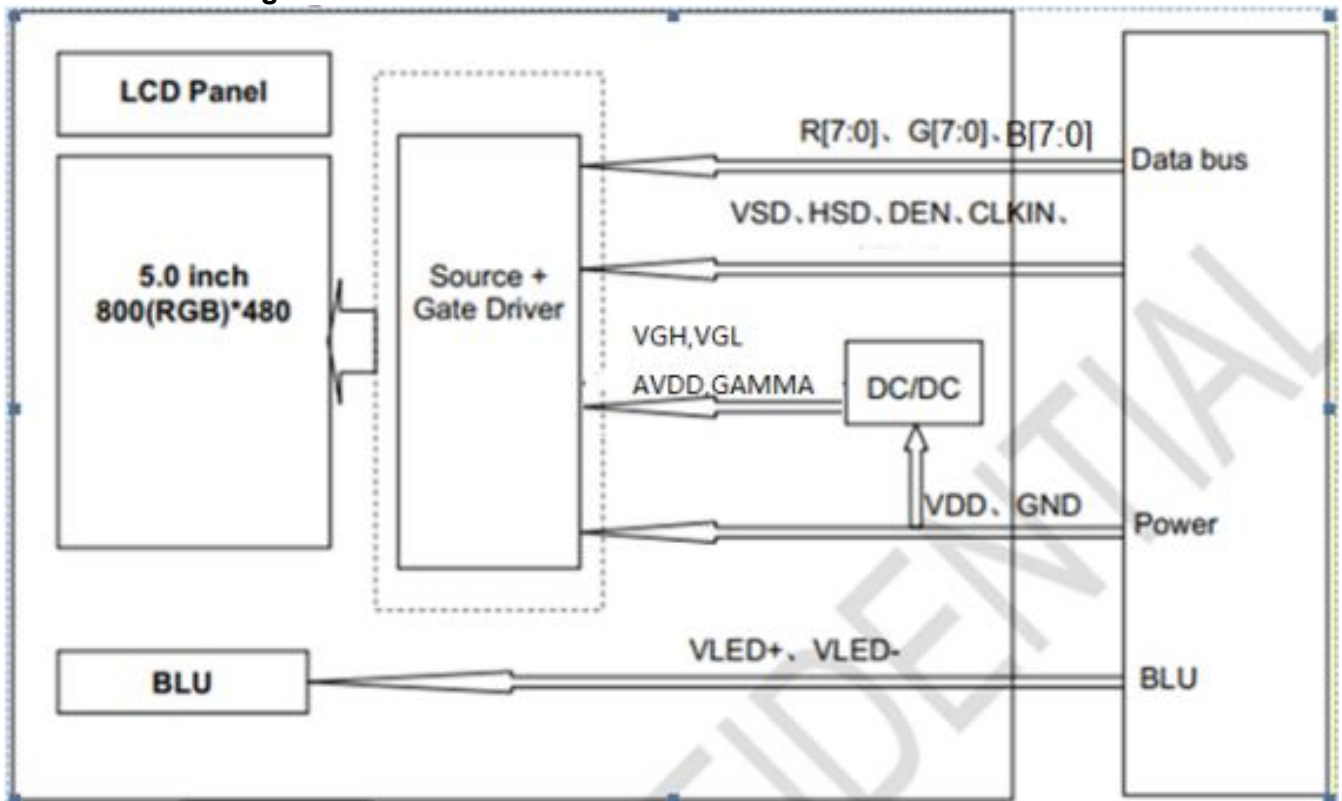


Figure 4.3 LCD Module diagram

5 Timing Chart

5.1 Input Clock and Data Timing

Parameter	Symbol	Min	Typ	Max	Unit	Remark
HSD Setup Time	T_{hst}	8			ns	
HSD Hold Time	T_{hhd}	8	-	-	ns	
VSD Setup Time	T_{vst}	8			ns	
VSD Hold Time	T_{vhd}	8	-	-	ns	
Data Setup Time	T_{dsu}	8			ns	
Data Hold Time	T_{dhd}	8	-	-	ns	
DE Setup Time	T_{esu}	8			ns	
DE Hold Time	T_{ehd}	8	-	-	ns	
CLKIN Cycle Time	T_{cph}	20	-	-	ns	
CLKIN Pulse Width	T_{cwh}	40	50	60	%	
Output stable time	T_{sst}	-	-	6	us	
VDD Power ON Slew rate	T_{por}			20	ms	
RSTB pulse width	TR_{st}	10	-	-	us	

Table 5.1 Input Clock and Data Timing

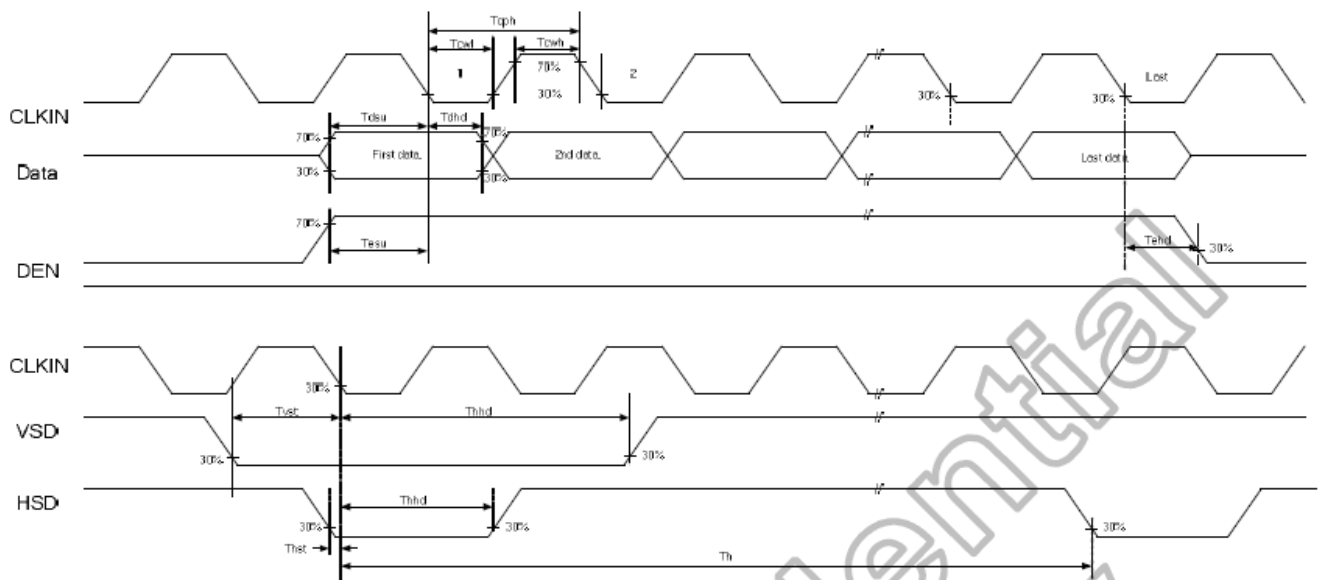


Figure 5.1 Input Clock and Data Timing Diagram

5.2 Data Input Format

5.2.1 Parameter Setting Of Timing(HV sync mode only)

Parameter	Symbol	Spec			Unit
		Min	Typ	Max	
Horizontal display area	t_{hd}	800			CLKIN
CLKIN frequency (60Hz)	f_{clk}	-	30	50	MHZ
One Horizontal Line	t_h	889	928	1143	CLKIN
HSD pulse width	t_{hpw}	1	48	255	CLKIN
HSD blanking	t_{hb}	88			CLKIN
HSD front porch	t_{hfp}	1	40	255	CLKIN
Vertical display area	t_{vd}	480			T_H
VSD period time	t_v	513	525	767	T_H
VSD pulse width	t_{vpw}	3	3	255	T_H
VSD Blanking(tvb)	t_{vb}	32			T_H
VSD Front porch (tvfp)	t_{vfp}	1	13	255	T_H

Table 5.2 Parameter Setting Of Timing

5.2.2 Horizontal Input Timing Diagram

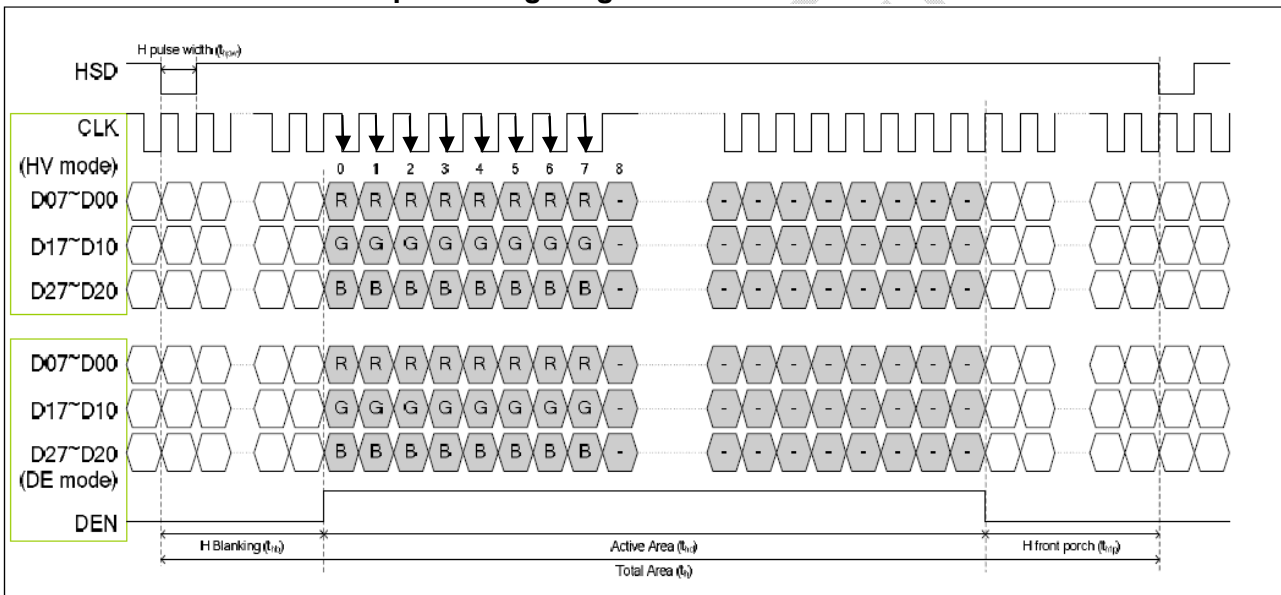


Figure 5.2 Horizontal Input Timing Diagram

5.2.3 Vertical Input Timing Diagram

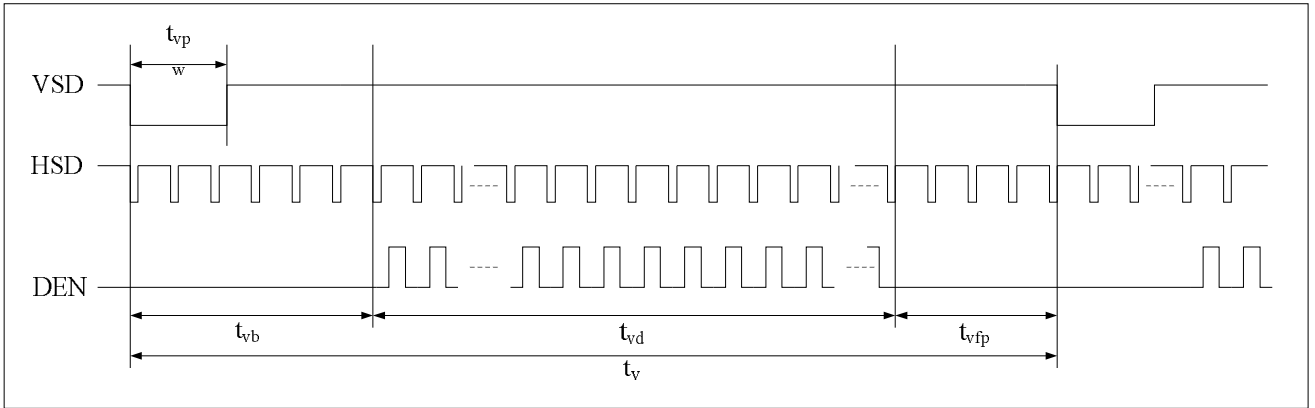


Figure 5.2.3 Vertical Input Timing Diagram

5.3 Power ON/OFF Sequence

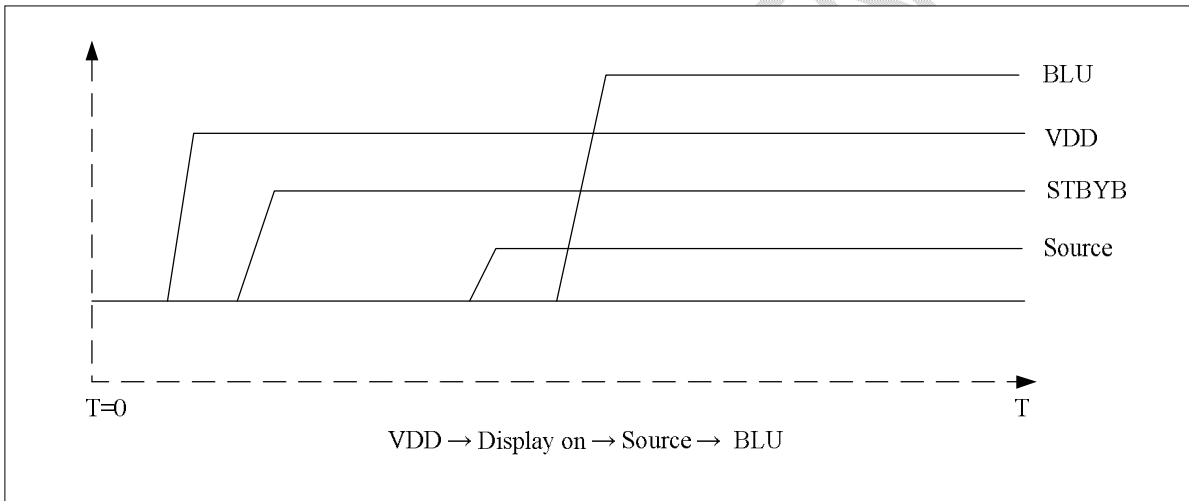


Figure 5.3.1 Power On Sequence

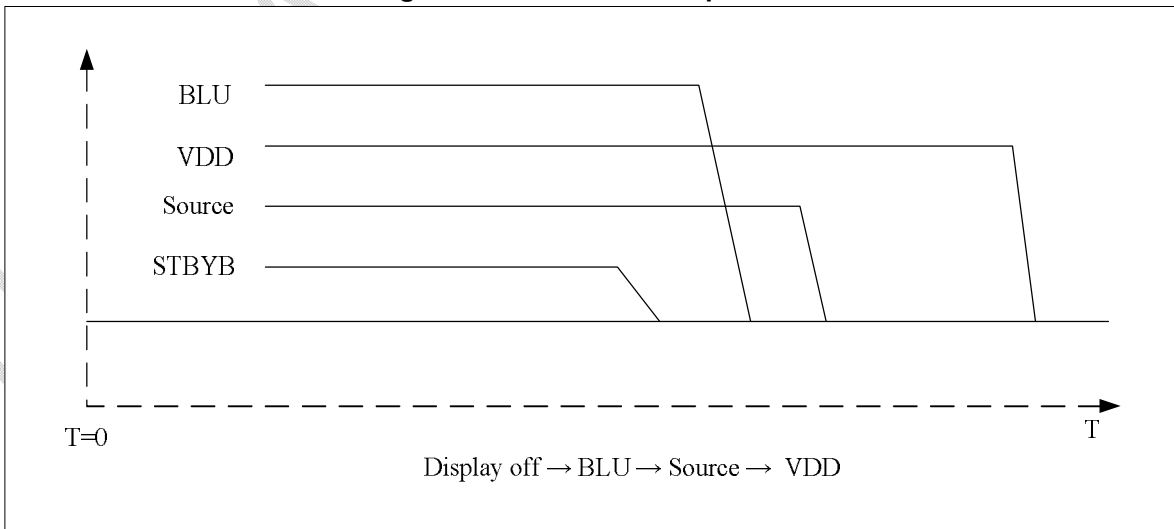


Figure 5.3.2 Power Off Sequence

6 Optical Characteristics

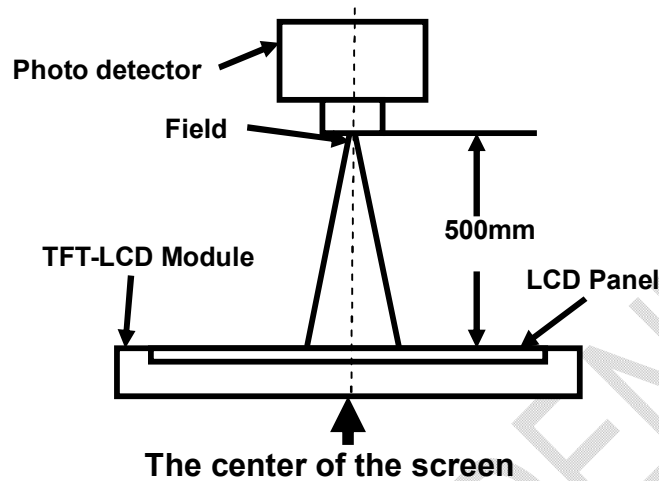
Item	Symbol	Condition	Min	Typ	Max	Unit	Remark
View Angles	θT	$CR \geq 10$	40	50	-	Degree	Note2,3
	θB		60	70	-		
	θL		60	70	-		
	θR		60	70	-		
Contrast Ratio	CR	$\theta=0^\circ$	500	600	-		Note 3
Response Time	T_{ON}	25°C	-	20	30	ms	Note 4
	T_{OFF}						
Chromaticity	White	x	Backlight is on	0.268	0.318	0.368	Note 1,5
		y		0.302	0.352	0.402	
	Red	x		0.547	0.597	0.647	Note 1,5
		y		0.298	0.348	0.398	
	Green	x		0.279	0.329	0.379	Note 1,5
		y		0.553	0.603	0.653	
	Blue	x		0.101	0.151	0.201	Note 1,5
		y		0.065	0.115	0.165	
Uniformity	U		75	80	--	%	Note 6
NTSC			45	50	--	%	Note 5
Luminance	L		800	1000	--	cd/m ²	Note 7

Test Conditions:

1. $I_F = 175$ mA, and the ambient temperature is 25°C.
2. The test systems refer to Note 1 and Note 2.

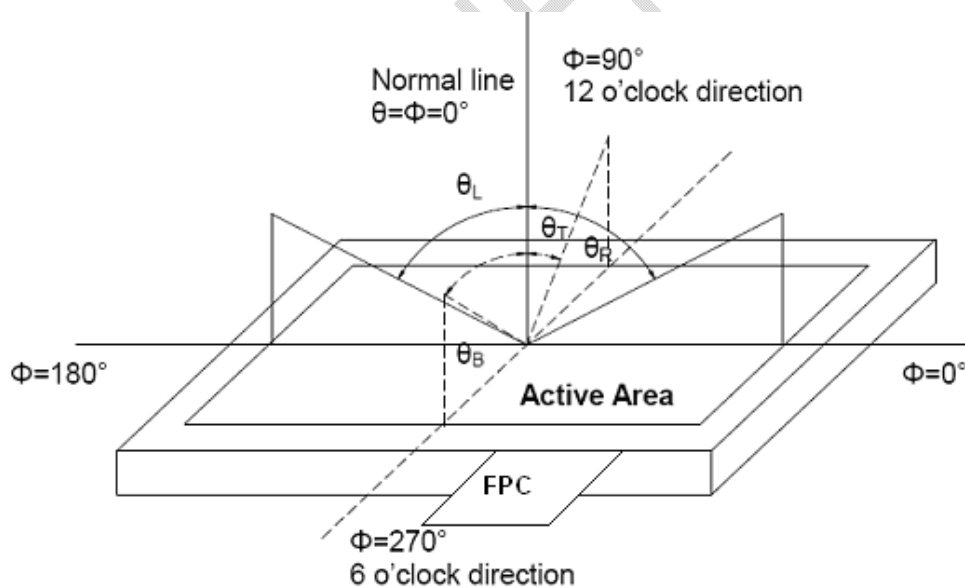
Note 1: Definition of optical measurement system.

The optical characteristics should be measured in dark room. After 5 Minutes operation, the optical properties are measured at the center point of the LCD screen. All input terminals LCD panel must be ground when measuring the center area of the panel.



Note 2: Definition of viewing angle range and measurement system.

viewing angle is measured at the center point of the LCD .



Note 3: Definition of contrast ratio

$$\text{Contrast ratio (CR)} = \frac{\text{Luminance measured when LCD is on the "White" state}}{\text{Luminance measured when LCD is on the "Black" state}}$$

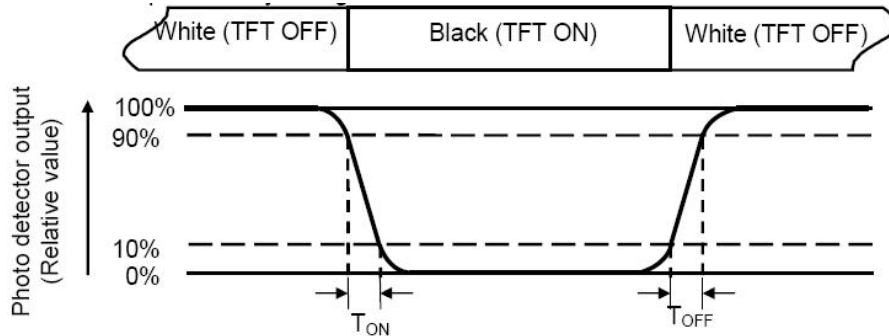
“White state “: The state is that the LCD should drive by V_{white} .

“Black state”: The state is that the LCD should drive by V_{black} .

V_{white} : To be determined V_{black} : To be determined.

Note 4: Definition of Response time

The response time is defined as the LCD optical switching time interval between “White” state and “Black” state. Rise time (T_{ON}) is the time between photo detector output intensity changed from 90% to 10%. And fall time (T_{OFF}) is the time between photo detector output intensity changed from 10% to 90%.



Note 5: Definition of color chromaticity (CIE1931)

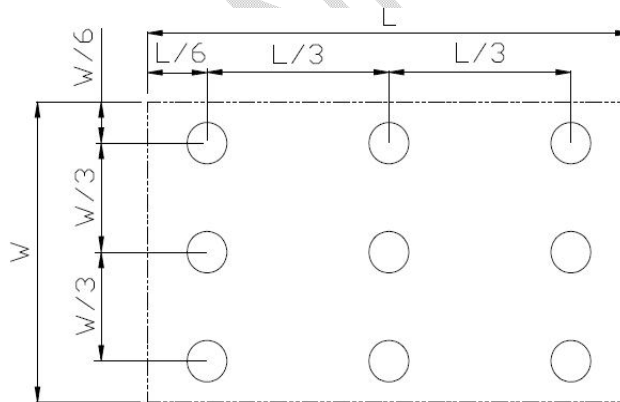
Color coordinates measured at center point of LCD.

Note 6: Definition of Luminance Uniformity

Active area is divided into 9 measuring areas (Refer Fig. 2). Every measuring point is placed at the center of each measuring area.

$$\text{Luminance Uniformity (U)} = L_{\min} / L_{\max}$$

L-----Active area length W----- Active area width



L_{\max} : The measured Maximum luminance of all measurement position.

L_{\min} : The measured Minimum luminance of all measurement position.

Note 7: Definition of Luminance:

Measure the luminance of white state at center point.

7 Environmental / Reliability Test

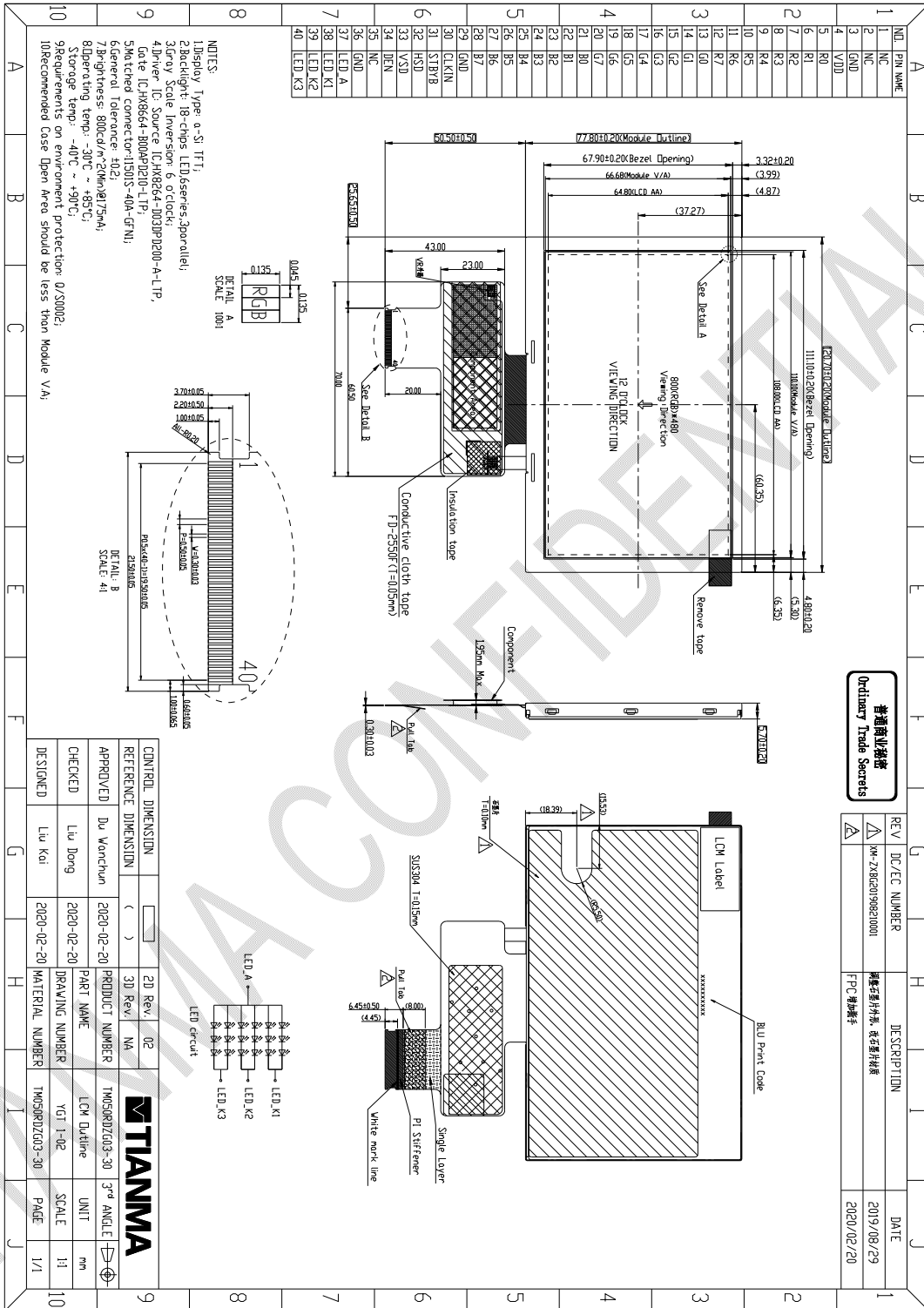
No	Test Item	Condition	Remarks
1	High Temperature Operation	Ta=+85℃, 500 hours	IEC60068-2-1:2007 GB2423.2-2008
2	Low Temperature Operation	Ta=-30℃, 500 hours	IEC60068-2-1:2007 GB2423.1-2008
3	High Temperature Storage	Ta=+90℃, 500 hours	IEC60068-2-1:2007 GB2423.2-2008
4	Low Temperature Storage	Ta=-40℃, 500 hours	IEC60068-2-1:2007 GB2423.1-2008
5	Storage at High Temperature and Humidity	Ta=+60℃, 90% RH 500 hours	IEC60068-2-78 :2001 GB/T2423.3—2006
6	Thermal Shock (non-operation)	-30℃ 30min ~+80℃ 30min, Change time: 5min, 20 cycles	Start with cold temperature, End with high temperature, IEC60068-2-14:1984,GB2423.22-2002
7	ESD	C=150pF,R=330Ω, 5 point/panel, Air: ±8KV, 5 times; Contact ±4KV,5times (Environment:15℃ ~35℃,30%~60%,80Kpa~106Kpa)	IEC61000-4-2:2001 GB/T17626.2-2006
8	Vibration Test	Frequency range:10~55Hz Stroke:1.5mm Sweep:10Hz~55Hz~10Hz 2 hours for each direction of X.Y.Z(6 hours for total)(package condition)	IEC60068-2-6:1982 GB/T2423.10—1995
9	Mechanical Shock (Non OP)	Half Sine Wave 60G 6ms, ±X, ±Y, ±Z 3 times for each direction.	IEC60068-2-27:1987 GB/T2423.5—1995
10	Package Drop Test	Height:80cm,1corner,3edges,6surfaces	IEC60068-2-32:1990 GB/T2423.8—1995
11	Package Vibration Test	Frequency: 5-20-200HZ, PSD: 0.01-0.01-0.001 Total:0.781g ² /HZ,x/y/z per 30min	IEC60068-2-34 GB/T2423.11

Note1: Ta is the ambient temperature of sample.

Note2: Before cosmetic and function test, the product must have enough recovery time, at least 2 hours at room temperature.

Note3: In the standard condition, there shall be no practical problem that may affect the display function. After the reliability test, the product only guarantees operation, but don't guarantee all of the cosmetic specification.

8 Mechanical Drawing



The information contained herein is the exclusive property of TIANMA MICRO-ELECTRONICS Corporation and shall not be distributed, reproduced, or disclosed in whole or in part without prior written permission of TIANMA MICRO-ELECTRONICS Corporation.

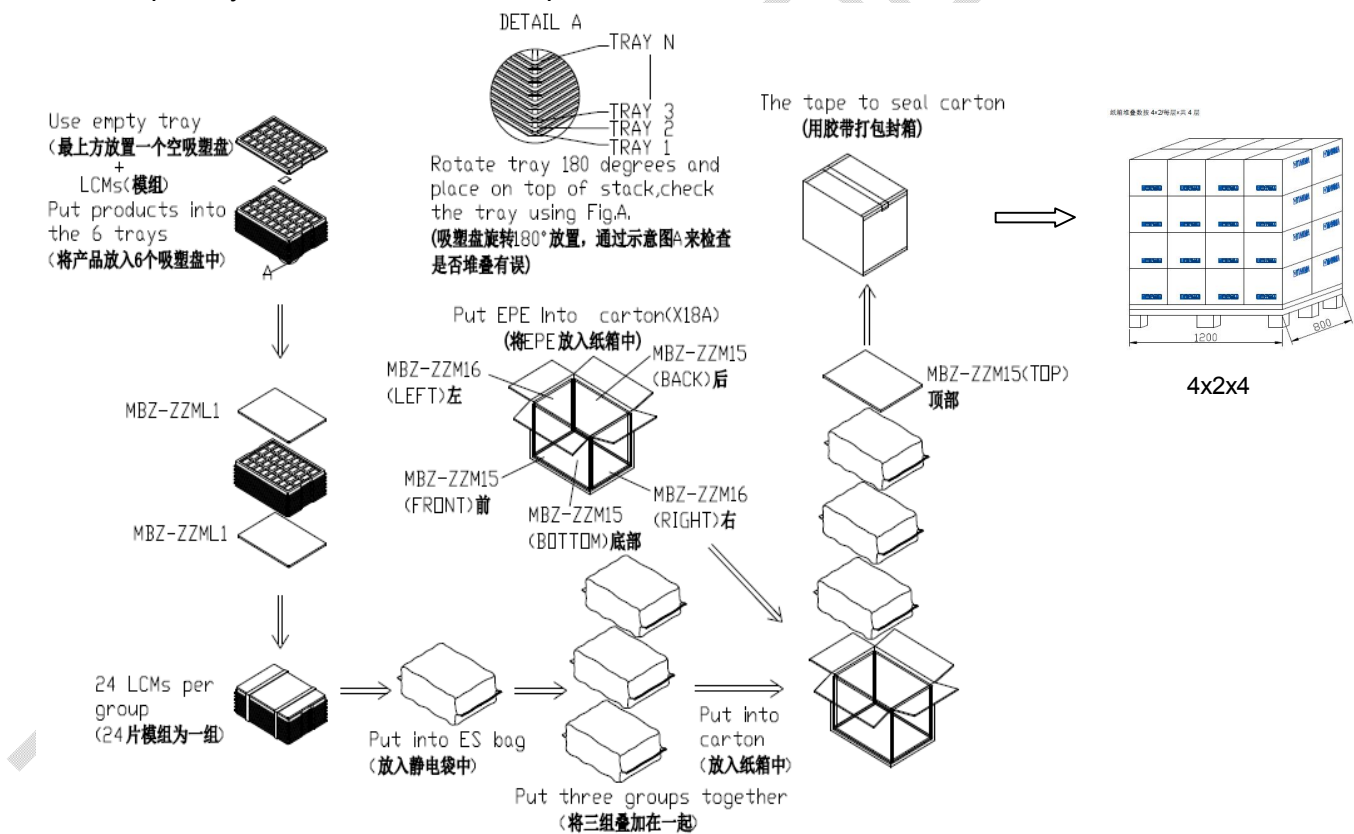
9 Packing Drawing

9.1 Packaging Material

No	Item	Model(Material)	Dimensions (mm)	Unit Weight (Kg)	Quantity	Remark	
1	LCM module	TM050RDZG03-30	120.7*77.8*5.7	0.076	72		
2	Tray	TM050RDZG03-30 -YBZ1-00	356*256*15.6	0.122	21		
3	EPE1	MBZ-ZZML1	336*246*6	0.01	6		
4	EPE2	MBZ-ZZM15	375*275*10	0.014	4		
5	EPE3	MBZ-ZZM16	250*280*12	0.015	2		
6	Carton	X18A	395*290*315	0.58	1		
7	ESD bag	JD13	400*520	0.042	3		
8	Total weight	8.89Kg ± 5%					

Note: Packaging Specification and Quantity

Module quantity in a carton: 3x24=72pcs



The information contained herein is the exclusive property of TIANMA MICRO-ELECTRONICS Corporation and shall not be distributed, reproduced, or disclosed in whole or in part without prior written permission of TIANMA MICRO-ELECTRONICS Corporation.

10 Precautions for Use of LCD Modules

10.1 Handling Precautions

10.1.1 The display panel is made of glass. Do not subject it to a mechanical shock by dropping it from a high place, etc.

10.1.2 If the display panel is damaged and the liquid crystal substance inside it leaks out, be sure not to get any in your mouth, if the substance comes into contact with your skin or clothes, promptly wash it off using soap and water.

10.1.3 Do not apply excessive force to the display surface or the adjoining areas since this may cause the color tone to vary.

10.1.4 The polarizer covering the display surface of the LCD module is soft and easily scratched. Handle this polarizer carefully.

10.1.5 If the display surface is contaminated, breathe on the surface and gently wipe it with a soft dry cloth. If still not completely clear, moisten cloth with one of the following solvents:

- Isopropyl alcohol
- Ethyl alcohol

Solvents other than those mentioned above may damage the polarizer. Especially, do not use the following:

- Water
- Ketone
- Aromatic solvents

10.1.6 Do not attempt to disassemble the LCD Module.

10.1.7 If the logic circuit power is off, do not apply the input signals.

10.1.8 To prevent destruction of the elements by static electricity, be careful to maintain an optimum work environment.

10.1.8.1 Be sure to ground the body when handling the LCD Modules.

10.1.8.2 Tools required for assembly, such as soldering irons, must be properly ground.

10.1.8.3 To reduce the amount of static electricity generated, do not conduct assembly and other work under dry conditions.

10.1.8.4 The LCD Module is coated with a film to protect the display surface. Be care when peeling off this protective film since static electricity may be generated.

10.2 Storage precautions

10.2.1 When storing the LCD modules, avoid exposure to direct sunlight or to the light of fluorescent lamps.

10.2.2 The LCD modules should be stored under the storage temperature range. If the LCD modules will be stored for a long time, the recommend condition is:

Temperature : 0°C ~ 40°C Relatively humidity: ≤80%

10.2.3 The LCD modules should be stored in the room without acid, alkali and harmful gas.

10.3 Transportation Precautions

10.3.1 The LCD modules should be no falling and violent shocking during transportation, and also should avoid excessive press, water, damp and sunshine.