

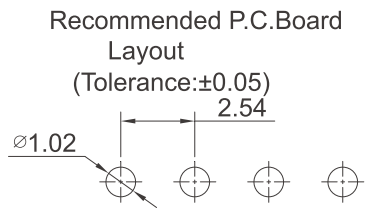
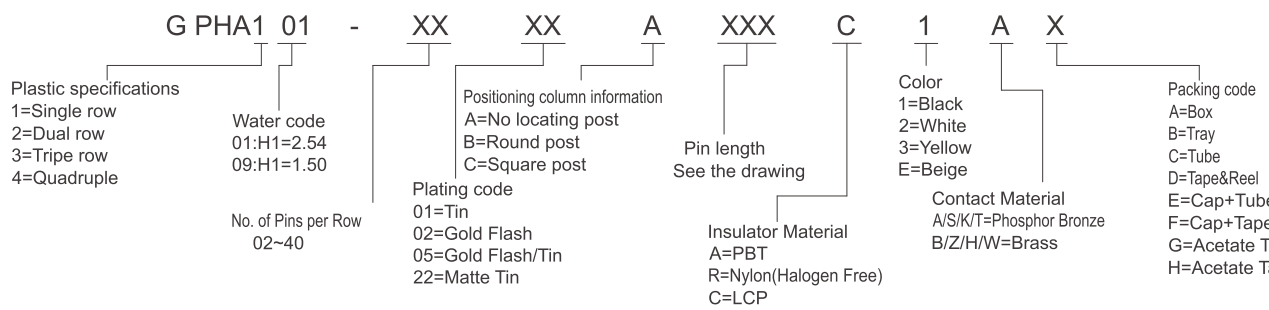
Specifications
 Current Rating:3.0Amp
 Insulation Resistance:1000MΩMin.
 Dielectric Withstanding Voltage:600VAC
 Contact Resistance:20mΩMax.
 Operating Temperature:-40°C to +105°C

Materials
 Contact Material:
 Brass(Pin length less than 25mm)
 Phosphor Bronze(The total length of pin is more than 25mm)
 Insulator Material:
 PBT(Not resistant to high temperature), Nylon(High temperature resistance), LCP(High temperature resistance),
 UL 94V-0
 All materials must meet Greenconn hazardous substances control standards.

No. of PIN/ROW	Dimension Information	
	M	L
02	2.54	5.08
03	5.08	7.62
04	7.62	10.16
05	10.16	12.70
06	12.70	15.24
07	15.24	17.78
08	17.78	20.32
09	20.32	22.86
10	22.86	25.40
11	25.40	27.94
12	27.94	30.48
13	30.48	33.02
14	33.02	35.56
15	35.56	38.10
16	38.10	40.64
17	40.64	43.18
18	43.18	45.72
19	45.72	48.26
20	48.26	50.80
21	50.80	53.34
22	53.34	55.88
23	55.88	58.42
24	58.42	60.96
25	60.96	63.50
26	63.50	66.04
27	66.04	68.58
28	68.58	71.12
29	71.12	73.66
30	73.66	76.20
31	76.20	78.74
32	78.74	81.28
33	81.28	83.82
34	83.82	86.36
35	86.36	88.90
36	88.90	91.44
37	91.44	93.98
38	93.98	96.52
39	96.52	99.06
40	99.06	101.60

Dim.D	NOTE
5.00mm	02Pins
6.50mm	03~40Pins

Ordering Information



格稜股份有限公司 Greenconn Corporation				GENERAL TOLERANCE		DWG. NO.	TITLE.
				X.°±5.0°	X.±0.30	GPHA101-CAXX	
REV.	UNIT.	SCALE.	PAGE.			PART NO.	2.54 PIN HEADER SINGLE ROWS DIP TYPE CONNECTOR
01	mm	4:1	1/1			GPHA101-XXXX AXXX C1AX	
				.XX°±2.0°	.XX±0.15		
				.XXX°±1.0°	.XXX±0.10		