

SPECIFICATION

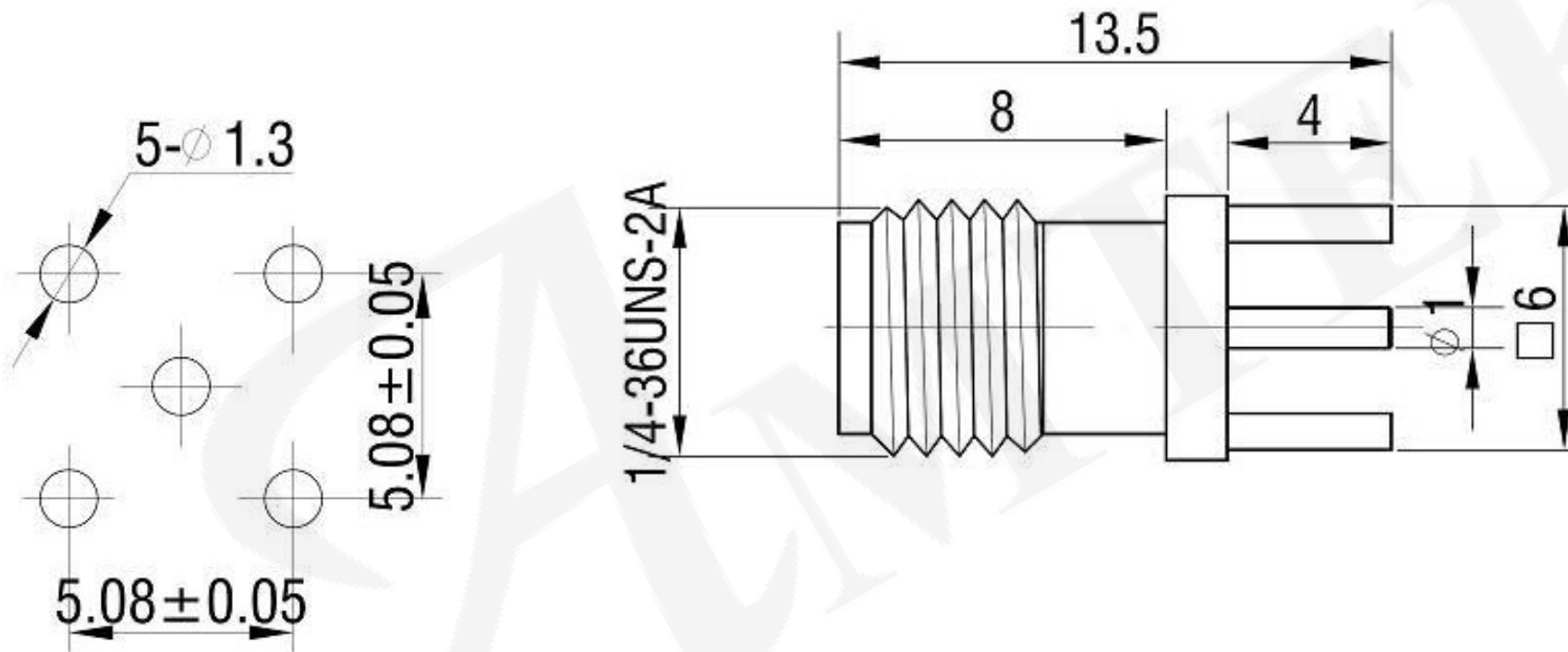
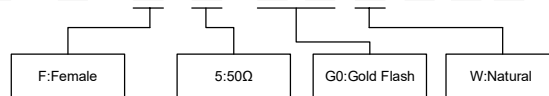
OPERATION TEMPERATURE: -60°C to +250°C
 FREQUENCY RANGE: DC to 6GHZ
 WORKING VOLTAGE: 335 V Max
 WITHSTAND VOLTAGE: 1000V Rms
 DURABILITY: 500 Matings
 VSER: <math><1.10+0.002f</math>
 Impedance: 50Ω Δ_B
 Insertion Loss: ≤ 0.15 db Δ_B

MATERIAL

BODY: Brass With Ni Plated
 PIN: Brass With Gold Plated

ORDER INFORMATION

6 2 S M A S 0 1 - F 5 G 0 W H 0 1



RECOMMENDED MOUNTING HOLES

<p>糧德精密有限公司 Amtek Technology Co., Ltd. TEL: 886-2-2260-6878 FAX: 886-2-2260-8030</p>	品名 TITLE	SMA CONN. SERIES			頁數 Page	1/1
	品號 PART NO.	62SMAS01-F5G0WH01			繪圖 DRAWN	David 2020/02/14
	圖號 DRAWING NO.	GN085-DV777	版本 REV.	B	核對 CHECKED	Josh 2020/02/14
	客戶品號 CUSTOMER P/N		比例 SCALE	None	承認 APPROVED	Josh 2020/02/14
	公差 TOLERANCE	0.5°05±0.2 06°30±0.4	單位 UNIT	mm	THIRD ANGLE PROJECTION	

$\Delta_B \times 2$	Add the Specification	Benson	2021/11/23
REV.	ECN NO. OR DESCRIPTION	REVISED	DATE