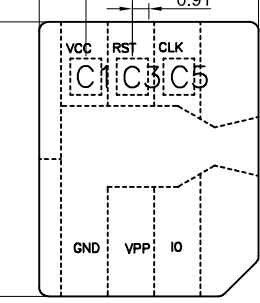
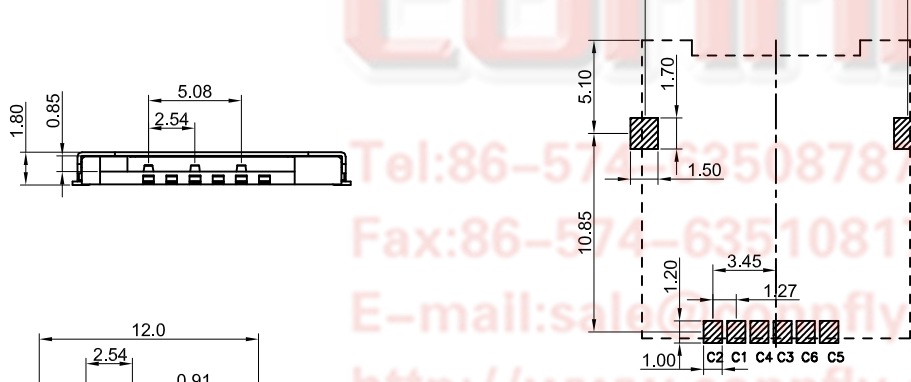
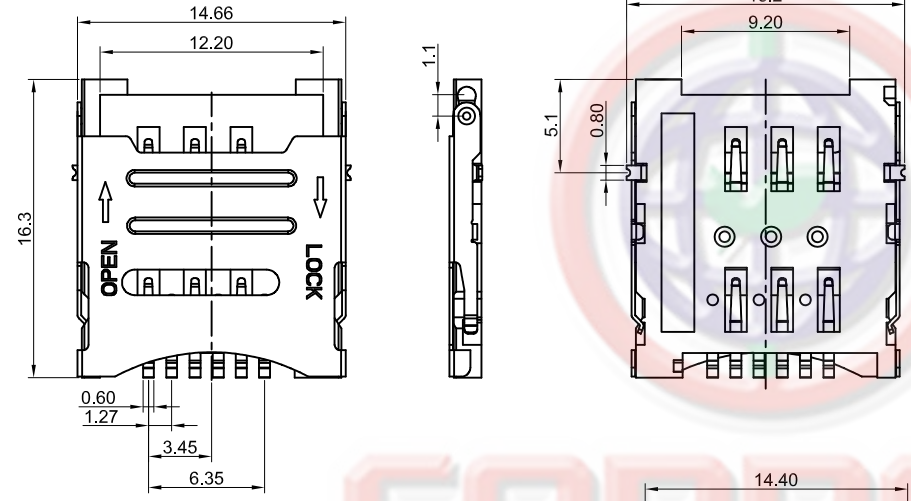


The information provided herein is from CONNPLY Electronic Co., Ltd. and is confidential. Any disclosure to a party other than the recipient is prohibited. The intellectual properties and its rights contained herein, including but not limited to, trademarks, patents, copyrights, trade secrets, and technical know-how, are owned exclusively by CONNPLY or its affiliates. Unauthorized use or reproduction of this document in any format or manner, CONNPLY may enforce its intellectual property rights at its own discretion; failures or delays to exercise such rights does not constitute a waiver of such rights.

1 2 3 4 5 6 7 8

REV.	DESCRIPTION	DRAWN	CHECKED	APPROVED
A	NEW RELEASE	JLZ 10/23/19'		



SIM CARD DIMENSION
(TOLERANCE=±0.05)

PIN NO.	PIN NAME
C1	VCC
C2	GND
C3	RST
C4	VPP
C5	CLK
P6	I/O

RECOMMEND PCB LAYOUT
(TOLERANCE=±0.05)

- Notes:
- Material:
 - Housing: High Temp., UL 94V-0 Color of Black.
 - Contacts: Copper Alloy.
 - Shell: Stainless Steel.
 - Finish:
 - Contact Area: Gold Over Nickel
 - Solder Area: Matte Tin.
 - Specifications:
 - Temperature Rated: -40°C TO +85°C
 - Contact Resistance: 100mΩ Max.
 - Insulation Resistance: 1000MΩ Min.
 - Withstanding Voltage : 500V AC.
 - Current Rating: 1A.
 - Voltage Rating: 30V.
 - Product Number Code:

DS1138-18 - XX X X X X X X

- Packing Type
R: Tape On Reel
- Shell Plating
S: Stainless
- Housing Color
B: Black
- Contact Plating
0: Selective gold flash
4: Selective 3u" gold
- Mounting Type
S: SMT type
- Connector Type
S: Socket
- NO. Of Contacts
06:6Pin

GENERAL TOLERANCE		ANGLE TOLERANCE		PROJECTION		TITLE	Micro SIM Card 6P H=1.8mm
X.	±0.60	X.	±5°	UNITS	mm	SMT Type	
.X	±0.38	.X	±3°	SHEET SIZE	A4	SERIES	DS1138-18 SERIES
.XX	±0.25	.XX	±2°	晨翔电子有限公司 CONNPLY CONNPLY ELECTRONIC CO. LTD			
DRAWING TYPE		CUSTOMER					
SCALE	1:1	SHEET	1 OF 1				
DRAWING NO.		C-DS1138-18-XXXXXXX-A					

1 2 3 4 5 6 7 8