

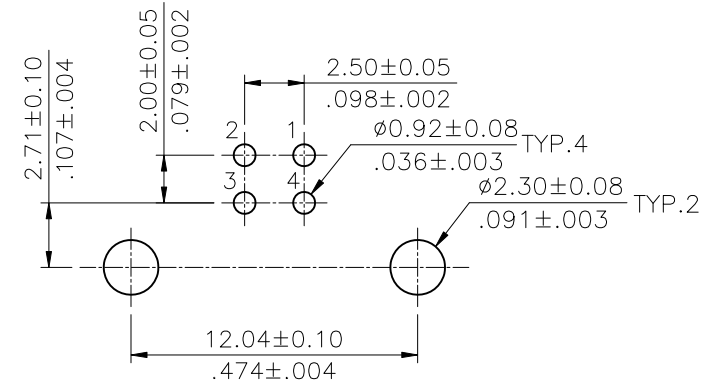
Ordering Code:

CU02 S A H 0 000
 ① ② ③ ④ ⑤ ⑥

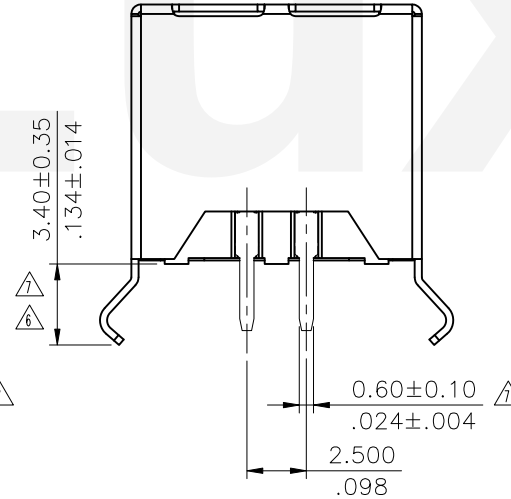
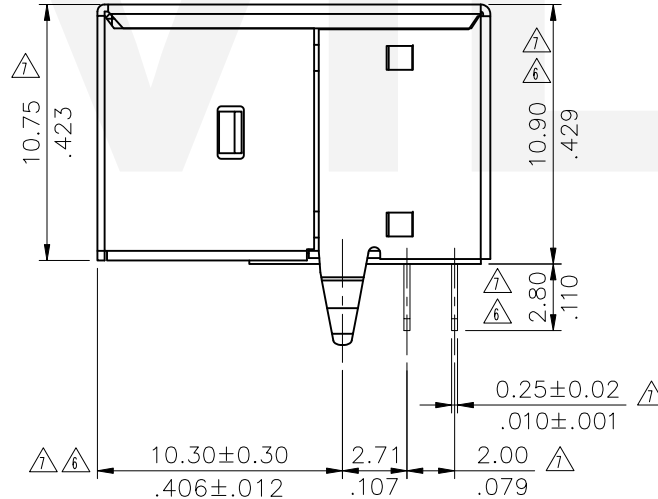
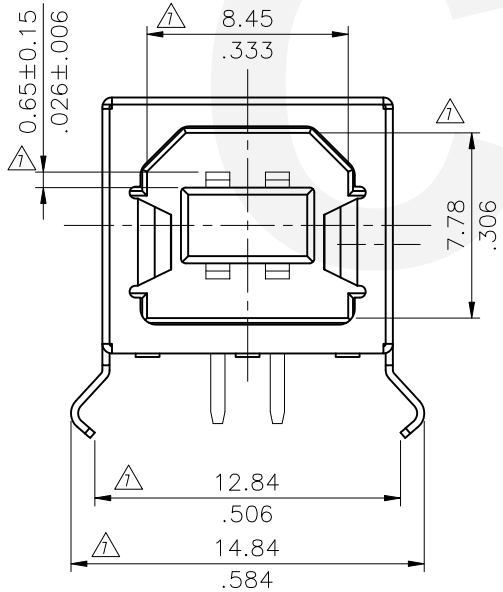
- ① Series No.
- ② S= Socket
- ③ Plating option:
 A= Selective Gold flash plated over 1.27μm(50 μin) Nickel
 C= Selective 0.76μm(30 μin) Gold plated over 1.27μm(50 μin) Nickel
- ④ H= Right angle
- ⑤ Insulator Color: 1= Black, 0= White
- ⑥ Option: 000= Standard

Materials :

Insulator: Glass filled polyester UL 94V-0
 Contacts: Phosphor Bronze
 Shell: Brass With Nickel plated



Recommended P.C. Board Layout



Lead Free Process

RoHS Compliant

⑦	Karen	1/09-20'	ECNT120010/ECRD119041		DATE	UNIT: mm / inch	TITLE: U.S.B TYPE B RIGHT ANGLE BOARD MOUNT SOCKET	 瀚荃股份有限公司 CviLux Corporation	
⑥	Sun	11/26/07'	ECR07090-1/ECN07486		DRAWN BY: Karen	1/9-20'	TOLERANCE UNLESS OTHERWISE SPECIFIED		MATERIAL:
⑤	Sandy	3/28-07'	ECN07109		ENGINEER: Sun	1/13-20'	.X ± 0.25/.010 X' ± 4'		FINISH:
④	Sandy	1/16/06'	ECN06495/ECR06080-1		CHECKED BY: Eisley	1/14-20'	.XX ± 0.20/.008 .X' ± 2'		
SYM	NAME	DATE	REVISIONS		APPROVED BY: Eisley	1/14-20'	.XXX ± 0.10/.004 .XX' ±		
DRAWING NO.		CU0202SP	PART NO.	CU02S*H*000	SCALE		3 / 1	SHEET 1 OF 1	