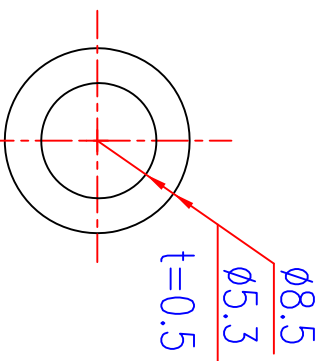
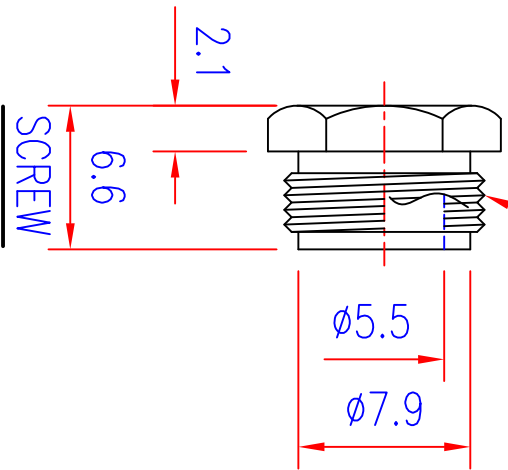


SPECIFICATION
 TNC MALE CONNECTOR
 CLAMP TYPE, RG58, DERLIN INSULATION
 TNC 公, RG58, CLAMP TYPE, 塑膠绝缘, 本體: 鍍镍, PIN: 鍍金



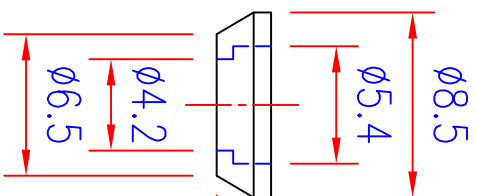
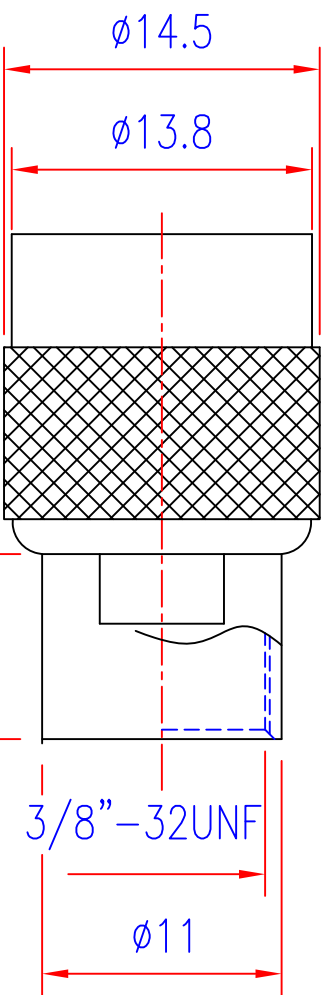
3/8"-32UNF

WASHER

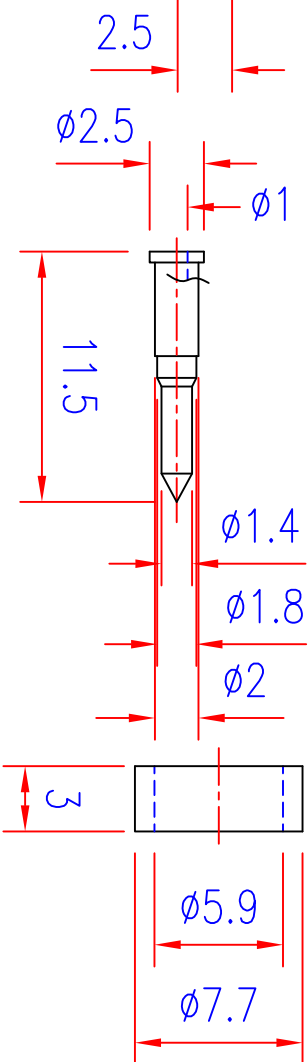


SCREW

UNLESS OTHERWISE SPECIFIED
 GENERAL TOLERANCES
 0.5~6 = ± 0.2
 >6~30 = ± 0.4
 >30~120 = ± 0.6



TOP HAT



GASKET

NO.	DESCRIPTION	QTY	MATERIAL	SPECIFICATION	REMARK
DRAW BY	CHUN	042409	1 : 3	PROJ	ITEM NO. TL4521-58-BDNG
DEGN BY	YANG		MM		TITLE TNC CONNECTOR
APPD BY	RAY				DWG NO. TL4521-58-BDNG -TNS61-A2

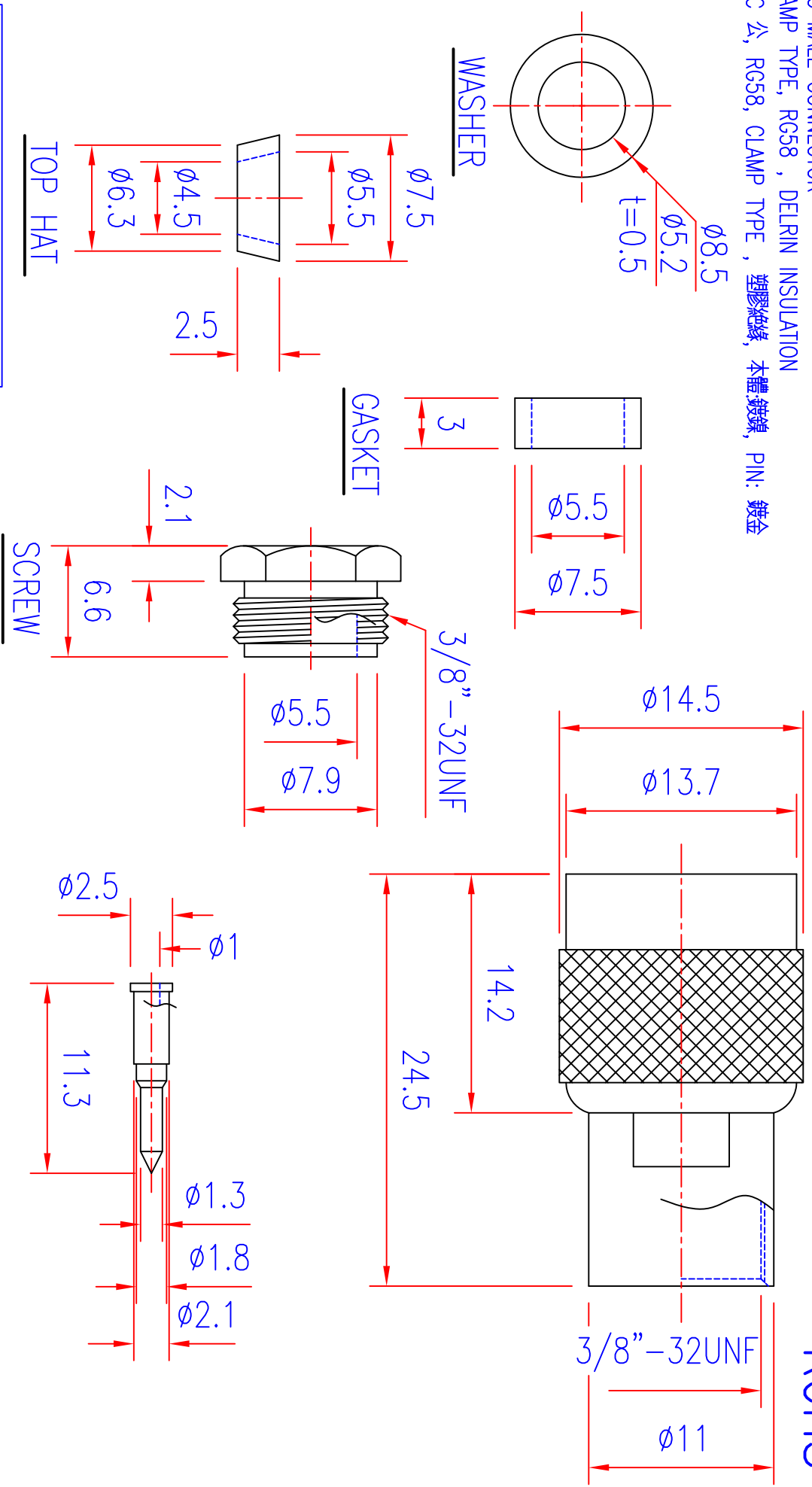
同利企業有限公司

TELE LONG ENTERPRISE CO.,LTD

DATE	DRAWG BY	REVISED
------	----------	---------

SPECIFICATION
 TNC MALE CONNECTOR
 CLAMP TYPE, RG58 , DELRIN INSULATION
 TNC 公, RG58, CLAMP TYPE, 塑膠絕緣, 本體:鍍銀, PIN: 鍍金

ROHS



UNLESS OTHERWISE SPECIFIED
 GENERAL TOLERANCES
 0.5~6 = ± 0.2
 >6~30 = ± 0.4
 >30~120 = ± 0.6

NO.	DESCRIPTION	QTY	MATERIAL	SPECIFICATION	REMARK
DRAW BY	周國君	051508	1 : 3	PROJ	TL4521-58-BDNG
DEGN BY					TNC CONNECTOR
APPD BY			MM		

DATE	DRAWG BY	REVISED	同利企業有限公司	TELE LONG ENTERPRISE CO.,LTD	DRAWING NO.	TL4521-58-BDNG-TNS01-C
------	----------	---------	----------	------------------------------	-------------	------------------------