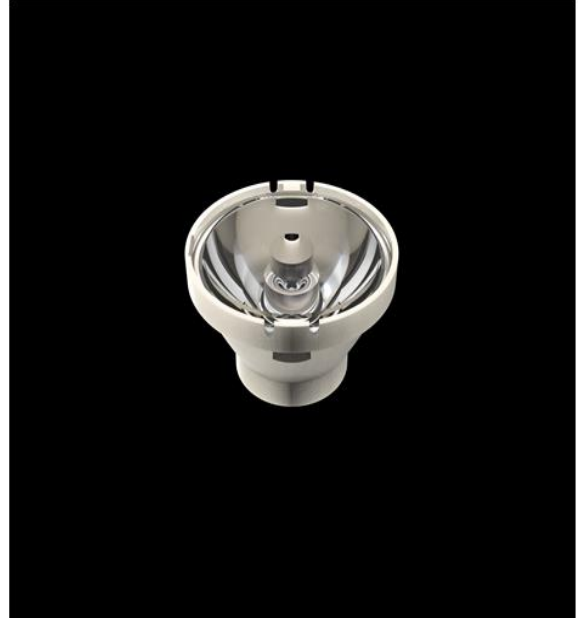


PRODUCT DATASHEET

S01.01.02.134 _ NOBEL-D31-1-6

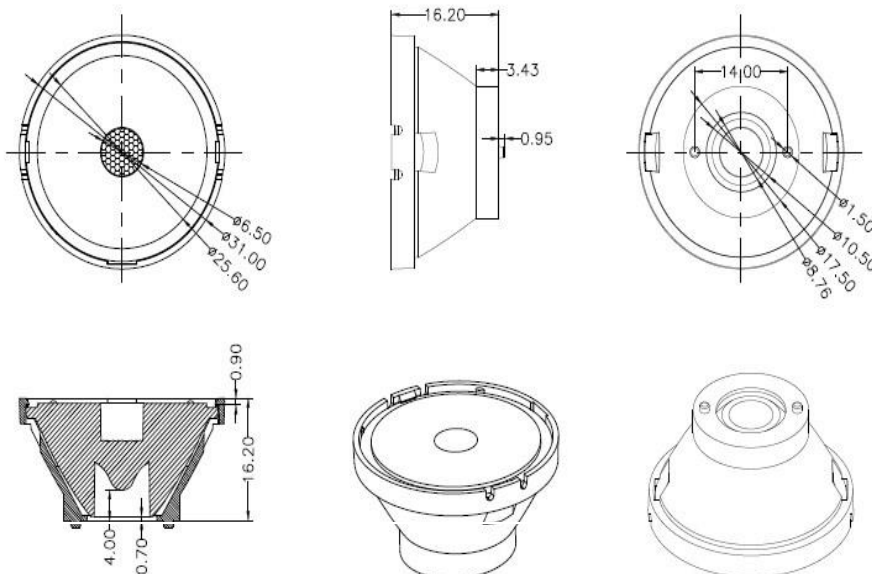
1.General Information

- ✓ Material : PMMA VH001
- ✓ Size : D31 (mm)
- ✓ FWHM : 6
- ✓ Design LED : CREE XPE 3535
- ✓ Compatible LED size : 3535/3030/5050
- ✓ Efficiency : 93%
- ✓ Fasten : Glue/Pin
- ✓ IP class : N/A
- ✓ Accessories : Conical Holder With Position Pin
- ✓ RoHS : YES
- ✓ Surface : Clear



2.MECHANICAL SPECIFICATION

UNIT:MM



3.OPTICAL DATA

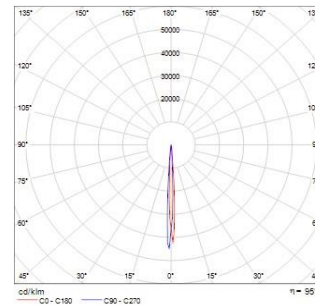
1) Simulation Data

LED model : CREE XPE 3535

Light colour : White

FWTM : H11.8°,V12.1°

FWHM : H6.4°,V5.7°



2) Test Data

LED model : N/A

Light colour : N/A

FWTM : N/A

FWHM : N/A

Remark : N/A

4.Usage and Maintenance

- 1) If necessary, clean lenses with mild soap, water and soft cloth.
- 2) Never use any commercial cleaning solvents on lenses, like alcohol.
- 3) Please handle lens with wearing gloves, skin oils may damage lens or its optical characteristic.

5.Note

Please test the data again before using. The chart data is for reference only.