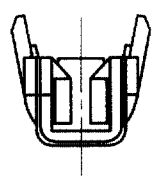
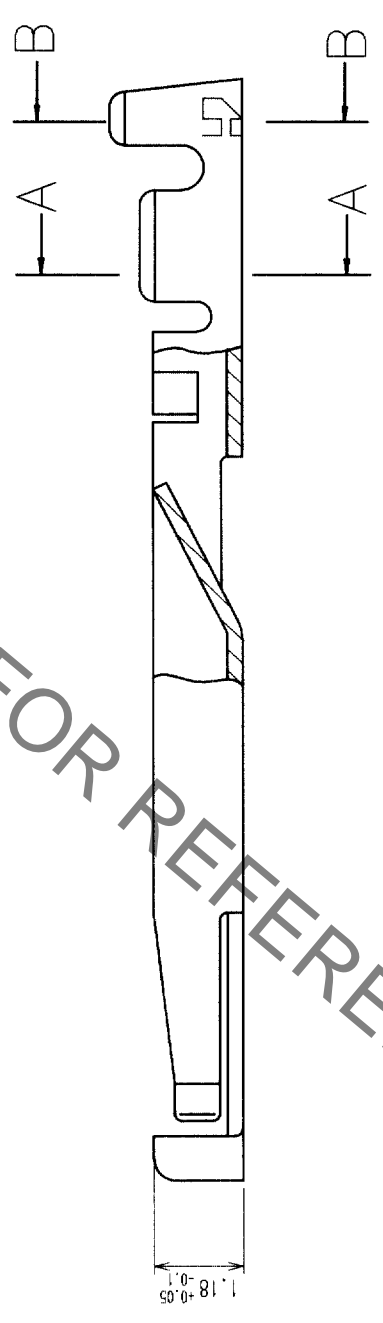
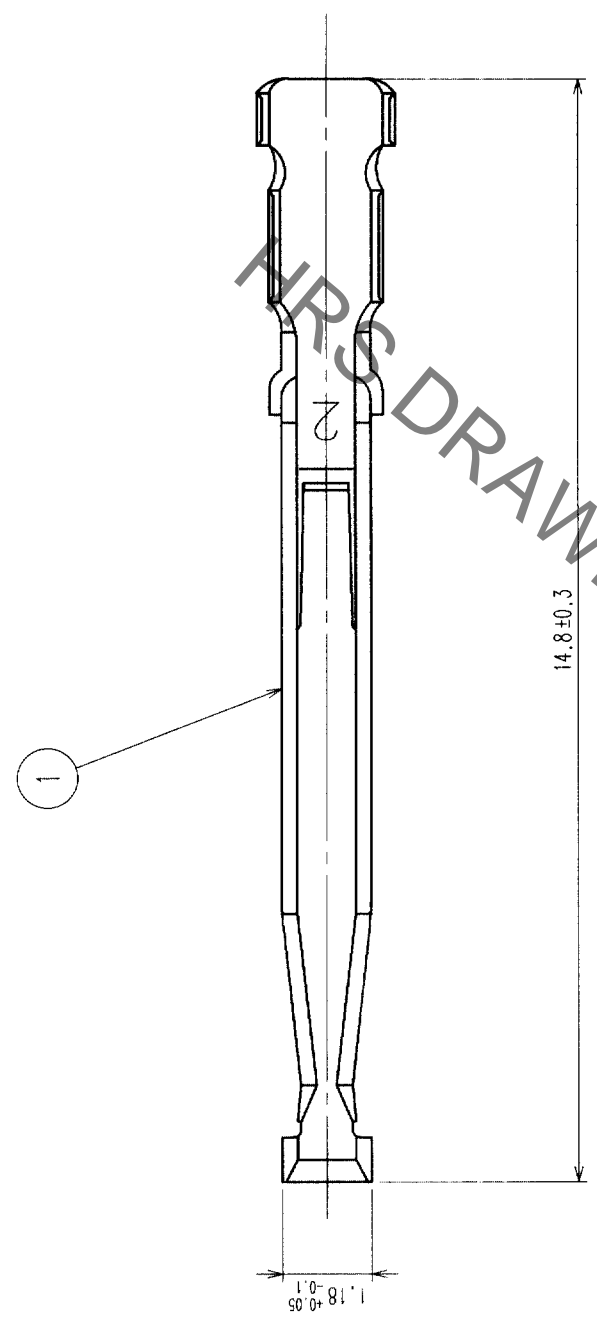
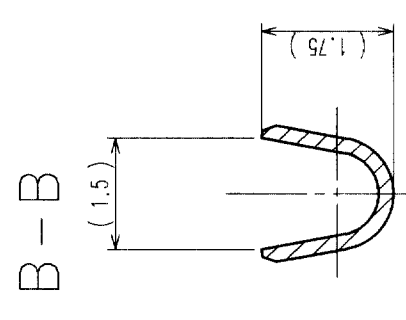
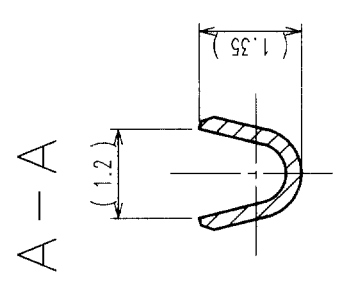


In case of consideration for using Automotive equipment / device which demand high reliability, kindly contact our sales window correspondents.

Apr.1.2020 Copyright 2020 HIROSE ELECTRIC CO., LTD. All Rights Reserved.

COUNT	DESCRIPTION OF REVISIONS	BY	CHKD	DATE	COUNT	DESCRIPTION OF REVISIONS	BY	CHKD	DATE
△					△				
△					△				
△					△				



NOTE 1 APPLICABLE WIRE: AWG#24-28 (JACKET DIAMETER  $\phi$ 1.15 MAX)  
 2 APPLICABLE CRIMPING TOOL: HR22-TA2428HC (CL150-0200-4)  
 3 APPLICABLE CRIMP CONTACT EXTRACTION TOOL: RP6-SC-TP (CL150-0039-0)  
 4 A PACKAGE CONTAINING 100 PIECES.

TO R (USA)

1 PHOSPHOR BRONZE SILVER PLATED		FINISH, REMARKS		MATERIAL		FINISH, REMARKS	
NO.	MATERIAL	FINISH, REMARKS	NO.	DESIGNED	CHECKED	APPROVED	RELEASED
1				H. Zemba	M. Sato	M. Yoshida	
CODE NO. (OLD)		DRAWN		DESIGNED		APPROVED	
		G. Motomura		H. Zemba		M. Sato	
		99.10.06		99.10.06		99.10.06	
DRAWING NO.		PART NO.		APPROVED		RELEASED	
EDC3-044336		HR22-SC-122		M. Yoshida		99.10.07	
SCALE		CODE NO.		APPROVED		RELEASED	
10 : 1		CL122-0016-6		M. Yoshida		99.10.07	
UNITS		PART NO.		APPROVED		RELEASED	
mm		HR22-SC-122		M. Yoshida		99.10.07	
		CODE NO.		APPROVED		RELEASED	
		CL122-0016-6		M. Yoshida		99.10.07	