

Specification For Approval

Customer : _____

Model Type : LCD MODULE

Sample Code : _____

Mass Production Code : PC1604LRS-ANH-H

Revision : 0

Customer Sign	Sales Sign	Checked By	Prepared By

Revision Record

Date(y/m/d)	Rev.	Description	Note	Page
2002/06/25	0	Revised Contents		

Total Page : 1 ~ 19



POWERTIP TECHNOLOGY CORPORATION

DISPLAY DEVICES FOR BETTER ELECTRONIC DESIGN

Contents

1. SPECIFICATIONS

- 1.1 Features
- 1.2 Mechanical Specifications
- 1.3 Absolute Maximum Ratings
- 1.4 DC Electrical Characteristics
- 1.5 Optical Characteristics
- 1.6 Backlight Characteristics

2. MODULE STRUCTURE

- 2.1 Counter Drawing
- 2.2 Interface Pin Description
- 2.3 Timing Characteristics
- 2.4 Display Command
- 2.5 Character Pattern

3. QUALITY ASSURANCE SYSTEM

- 3.1 Quality Assurance Flow Chart
- 3.2 Inspection Specification

4. RELIABILITY TEST

- 4.1 Reliability Test Condition

5. PRECAUTION RELATING PRODUCT HANDLING

- 5.1 Safety
- 5.2 Handling
- 5.3 Storage
- 5.4 Terms of Warranty



1. SPECIFICATIONS

1.1 Features

Item	Standard Value
Display Type	16 * 4 characters
LCD Type	STN, Gray, Transflective, Positive, Extended Temp.
Driver Type	1/16 Duty , 1/4 Bias
Viewing Direction	6 O' clock
Backlight	Yellow-Green LED B/L
Weight	—
Other	-

1.2 Mechanical Specifications

Item	Standard Value	Unit
Outline Dimension	87.0mm(L) * 60.0mm(w) * 14.0mm(H)(Max)	mm
Viewing Area	62.0mm(L) * 25.6mm(w)	mm
Active Area	56.2mm(L) * 20.8mm(w)	mm
Dot Size	0.55mm(L) * 0.55mm(w)	mm
Dot Pitch	0.60mm(L) * 0.60mm(w)	mm

1.3 Absolute Maximum Ratings

Item	Symbol	Condition	Min.	Max.	Unit
Power Supply Voltage	V_{DD}	-	-0.3	7.0	V
LCD Driver Supply Voltage	$V_{DD}-V_{EE}$	-	$V_{DD}-13.5$	$V_{DD}+0.3$	V
Input Voltage	V_{IN}	-	-0.3	$V_{DD}+0.3$	V
Operating Temperature	T_{OP}	-	-20	70	°C
Storage Temperature.	T_{ST}	-	-30	80	°C
Humidity	H_D	-		90	%RH



POWERTIP TECHNOLOGY CORPORATION
 DISPLAY DEVICES FOR BETTER ELECTRONIC DESIGN

1.4 DC Electrical Characteristics

 $V_{DD} = 5.0\text{ V} \pm 5\% , V_{SS} = 0\text{ V} , T_a = 25^\circ\text{C}$

Item	Symbol	Condition	Min.	Typ.	Max.	Unit
Logic Supply Voltage	V_{DD}	-	4.5	-	5.5	V
“H” Input Voltage	V_{IH}	-	2.2	-	V_{DD}	V
“L” Input Voltage	V_{IL}	-	-0.3	-	0.6	V
“H” Output Voltage	V_{OH}	$I_{OH} = -0.205\text{mA}$	2.4	-	-	V
“L” Output Voltage	V_{OL}	$I_{OL} = 1.2\text{mA}$	-	-	0.4	V
Supply Current	I_{DD}	$V_{DD} = 5.0\text{ V}$	-	2.5	3.5	mA
LCD Driver Voltage	V_{OP}	$V_{DD} - V_O (-20^\circ\text{C})$	-	-	-	V
		$V_{DD} - V_O (25^\circ\text{C})$	-	6.9	-	
		$V_{DD} - V_O (70^\circ\text{C})$	-	-	-	

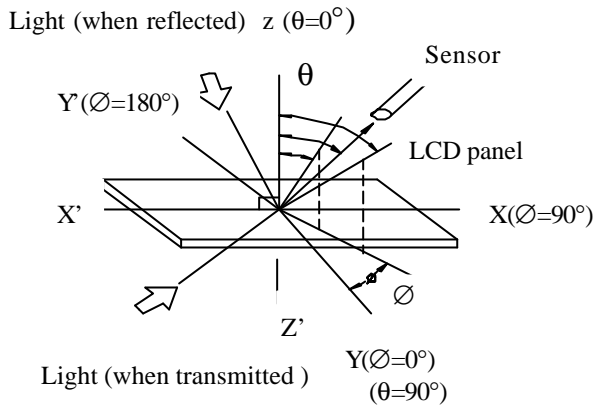
1.5 Optical Characteristics

 $1/16\text{Duty} , 1/4\text{Bias} , V_{OP} = 6.9\text{V} , T_a = 25^\circ\text{C}$

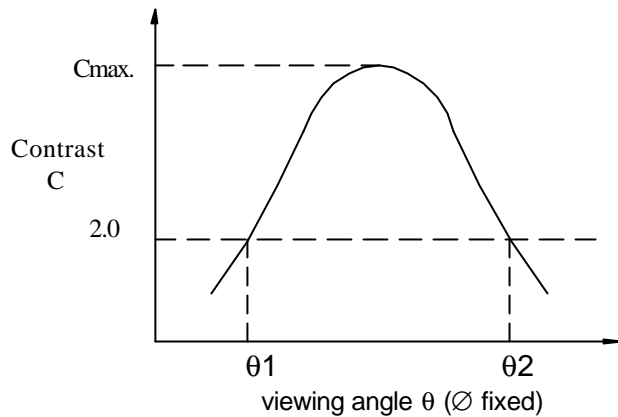
Item	Symbol	Conditions	Min.	Typ.	Max.	Reference
View Angle	θ	$C \geq 2.0, \varnothing = 0^\circ$	45°	-	-	Notes 1 & 2
Contrast Ratio	C	$\theta = 5^\circ, \varnothing = 0^\circ$	5	7	-	Note 3
Response Time(rise)	T_r	$\theta = 5^\circ, \varnothing = 0^\circ$	-	150 ms	-	Note 4
Response Time(fall)	T_f	$\theta = 5^\circ, \varnothing = 0^\circ$	-	330 ms	-	Note 4



Note 1: Definition of angles θ and \varnothing



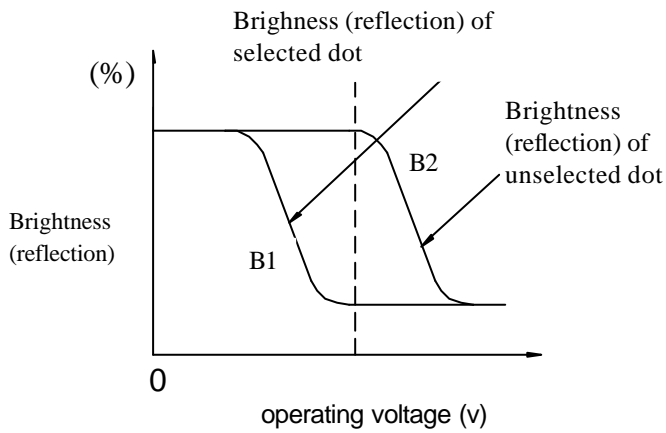
Note 2: Definition of viewing angles θ_1 and θ_2



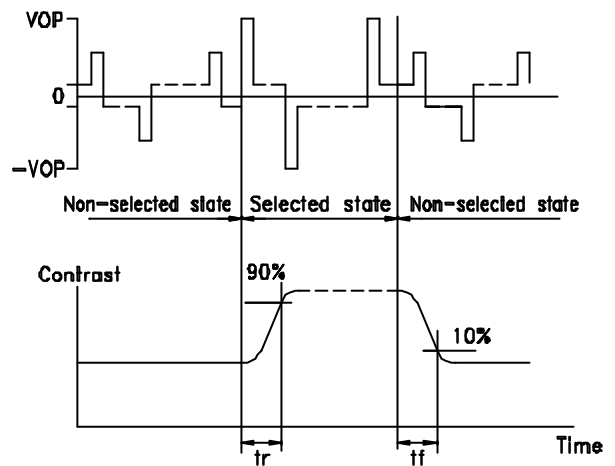
Note : Optimum viewing angle with the naked eye and viewing angle θ at C_{max} . Above are not always the same

Note 3: Definition of contrast C

$$C = \frac{\text{Brightness (reflection) of unselected dot (B2)}}{\text{Brightness (reflection) of selected dot (B1)}}$$



Note 4: Definition of response time



Note: Measured with a transmissive LCD panel which is displayed 1 cm²

V_{OPR} : Operating voltage
 t_r : Response time (rise) f_{FRM} : Frame frequency
 t_f : Response time (fall)



POWERTIP TECHNOLOGY CORPORATION
 DISPLAY DEVICES FOR BETTER ELECTRONIC DESIGN

1.6 Backlight Characteristics

LCD Module with LED Backlight

Maximum Ratings

Item	Symbol	Conditions	Min.	Max.	Unit
Forward Current	I_F	$T_a = 25^\circ\text{C}$	-	550	mA
Reverse Voltage	V_R	$T_a = 25^\circ\text{C}$	-	8	V
Power Dissipation	P_O	$T_a = 25^\circ\text{C}$	-	2.5	W
Operating Temperature	T_{OP}	-	-20	70	$^\circ\text{C}$
Storage Temperature	T_{ST}	-	-40	80	$^\circ\text{C}$

Electrical Ratings

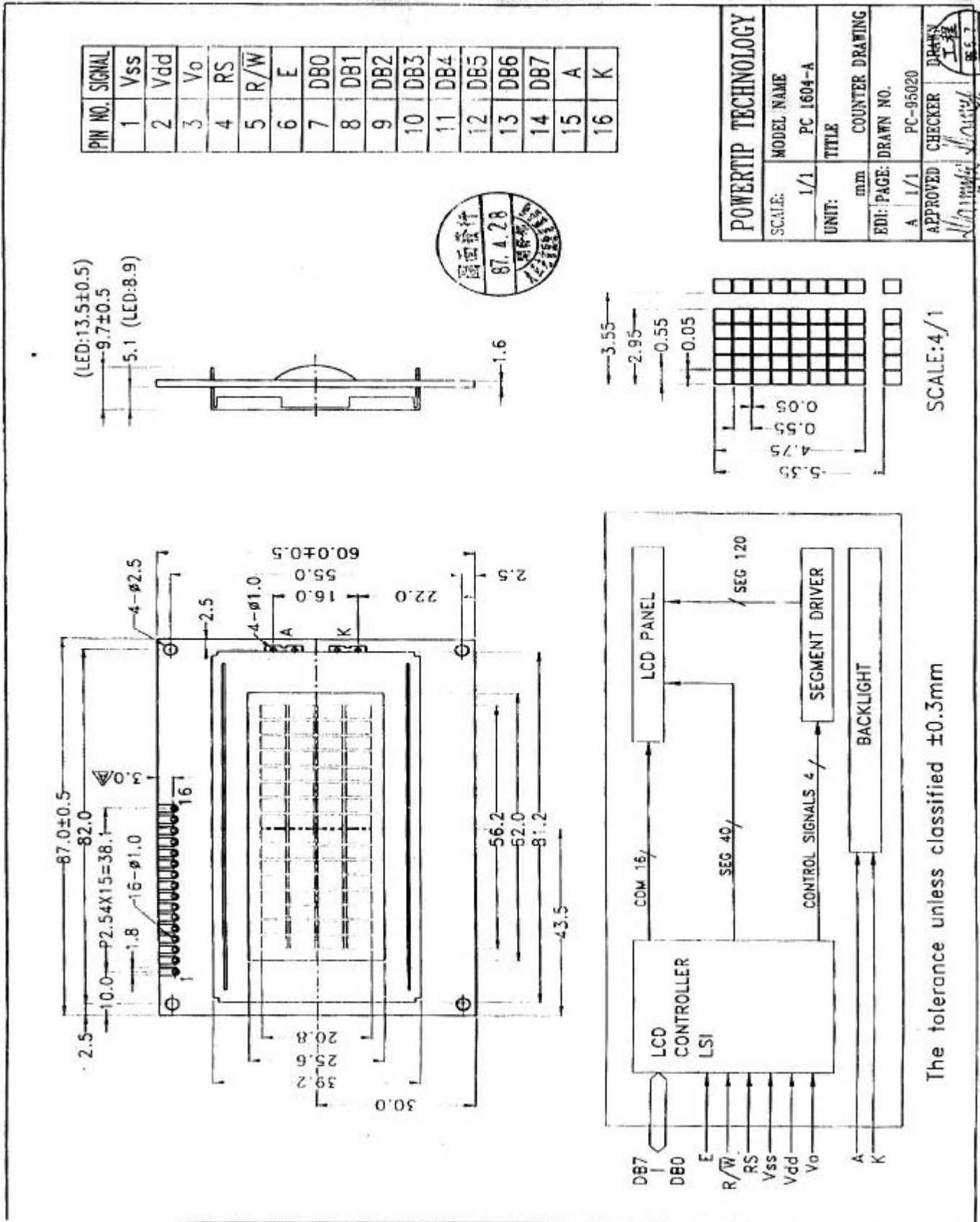
$T_a = 25^\circ\text{C}$

Item	Symbol	Conditions	Min.	Typ.	Max.	Unit
Forward Voltage	V_F	$I_F = 220\text{ mA}$	-	4.2	4.6	V
Reverse Current	I_R	$V_R = 8\text{ V}$	-	-	0.2	mA
Luminous Intensity (with LCD, Dots Off)	I_V	$I_F = 220\text{ mA}$	120	150	-	cd/m^2
Wavelength	ρ	$I_F = 220\text{ mA}$	571	-	576	nm
Color	Yellow-Green					



2. MODULE STRUCTURE

2.1 Counter Drawing

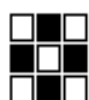
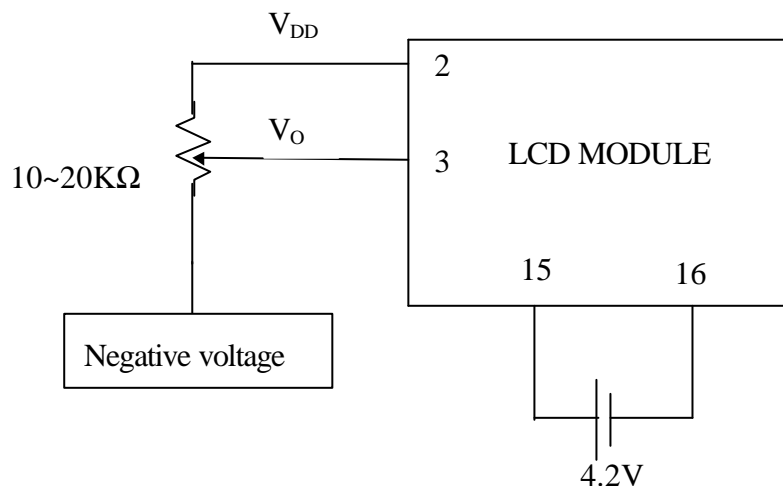


POWERTIP TECHNOLOGY CORPORATION
 DISPLAY DEVICES FOR BETTER ELECTRONIC DESIGN

2.2 Interface Pin Description

Pin No.	Symbol	Signal Description
1	VSS	Power Supply ($V_{SS}=0$)
2	VDD	Power Supply ($V_{DD}>V_{SS}$)
3	VO	Operating voltage for LCD
4	RS	Register Selection input High = Data register Low = Instruction register (for write) Busy flag address counter (for read)
5	$\overline{\text{R/W}}$	Read/Write signal input is used to select the read/write mode. High = Read mode, Low = Write mode
6	E	Start enable signal to read or write the data
7~10	DB0 ~ DB3	Four low order bi-directional three-state data bus lines. Use for data transfer between the MPU and the LCD module. These four are not used during 4-bit operation.
11~14	DB4 ~ DB7	Four high order bi-directional three-state data bus lines. Used for data transfer between the MPU and the LCD module. DB7 can be used as a busy flag.
15	A	Power supply LED backlight (+)
16	K	Power supply LED backlight (-)

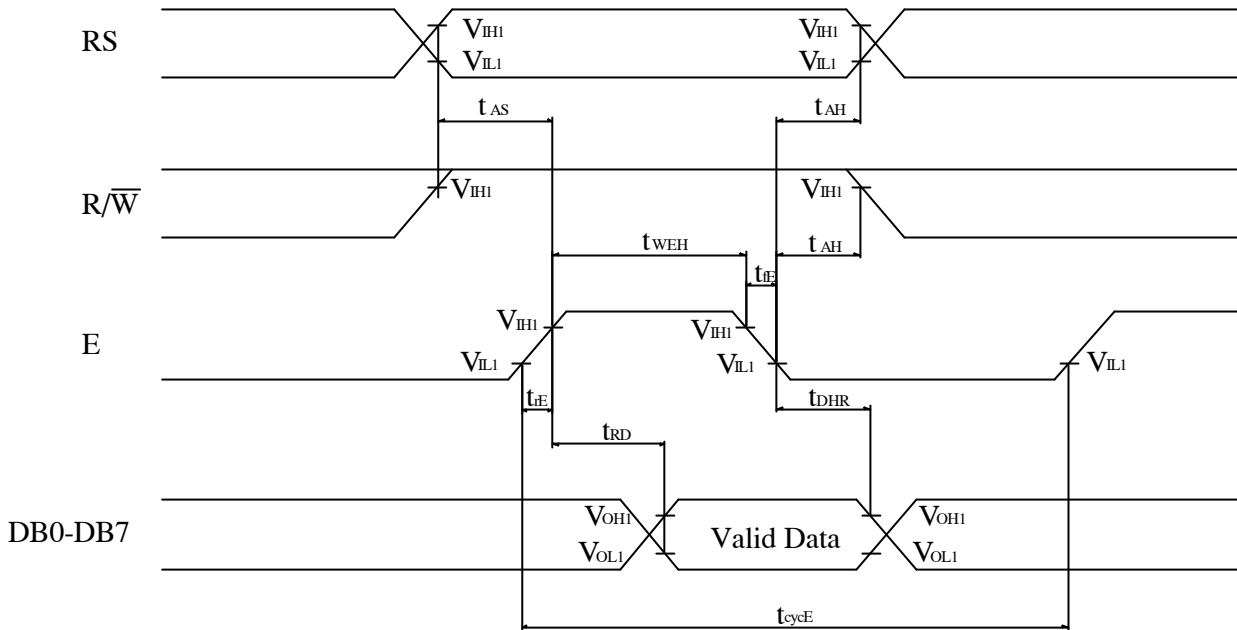
Contrast Adjust



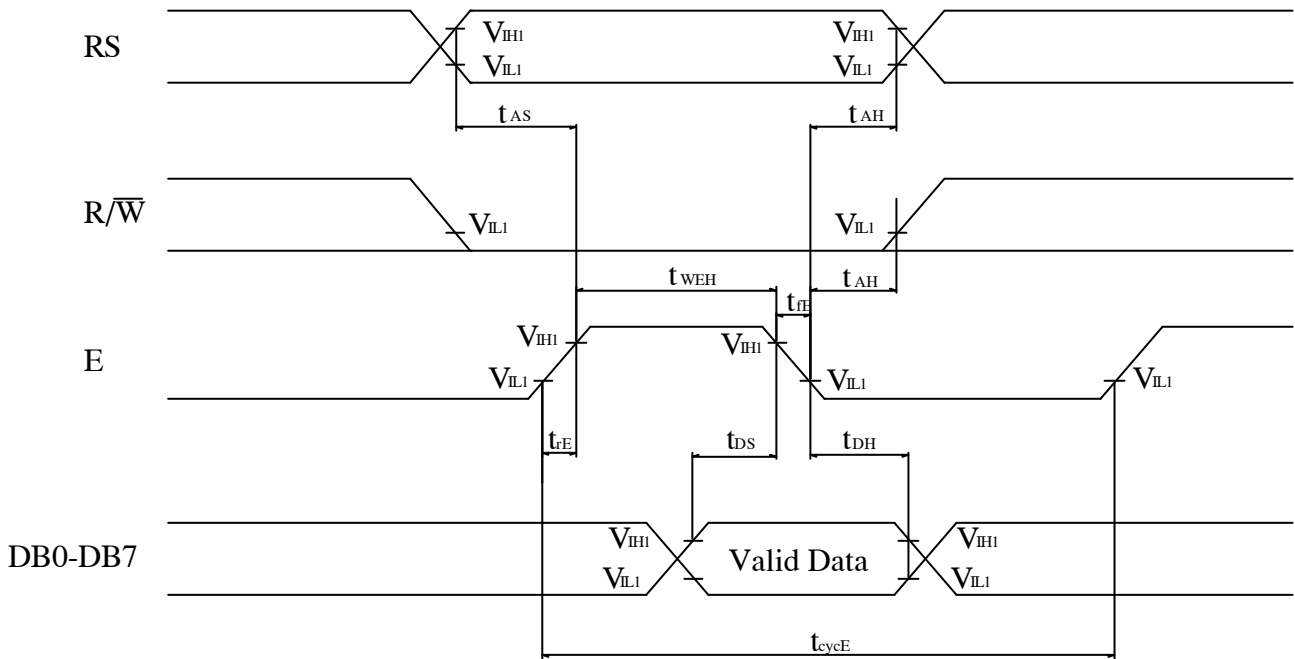
POWERTIP TECHNOLOGY CORPORATION
DISPLAY DEVICES FOR BETTER ELECTRONIC DESIGN

2.3 Timing Characteristics

- Read cycle



- Write cycle



POWERTIP TECHNOLOGY CORPORATION
 DISPLAY DEVICES FOR BETTER ELECTRONIC DESIGN

- Read cycle

 $V_{DD}=5.0V \pm 10\%$, $V_{SS}=0$, $T_a=25$

Characteristics	Symbol	Condition	Min.	Typ.	Max.	Unit
Enable cycle time	t_{CYCE}	-	500	-	-	ns
Enable "H" level pulse width	t_{WEH}	-	300	-	-	ns
Enable rise/fall time	t_{rE} , t_{fE}	-	-	-	25	ns
RS,R/W setup time	t_{AS}	-	60 ¹	-	-	ns
			100 ²			
RS,R/W address hold time	t_{AH}	-	10	-	-	ns
Read data output delay	t_{RD}	$C_L=100pF$	-	-	190	ns
Read data hold time	t_{DHR}	-	20	-	-	ns

- Write cycle

Characteristics	Symbol	Condition	Min.	Typ.	Max.	Unit
Enable cycle time	t_{CYCE}	-	500	-	-	ns
Enable "H" level pulse width	t_{WEH}	-	300	-	-	ns
Enable rise/fall time	t_{rE} , t_{fE}	-	-	-	25	ns
RS,R/W setup time	t_{AS}	-	60 ¹	-	-	ns
			100 ²			
RS,R/W address hold time	t_{AH}	-	10	-	-	ns
Data setup time	t_{DS}	-	100	-	-	ns
Write data hold time	t_{DH}	-	10	-	-	ns



2.4 Display Command

Instructions	Instruction Code										Description	Execution Time(max) (t_{oc} = 250KHZ)
	RS	R/W	DB7	DB6	DB5	DB4	DB3	DB2	DB1	DB0		
Clear Display	0	0	0	0	0	0	0	0	0	1	Clear entire display area, restore display from shift, and load address counter with DD RAM address 00H	1.64ms
Display/ Cursor Home	0	0	0	0	0	0	0	0	1	×	Restore display from shift and load address counter with DD RAM address 00H	1.64ms
Entry Mode Set	0	0	0	0	0	0	0	1	I/D	S	Specify direction of cursor movement and display shift mode. This operation takes place after each data transfer (read/write)	40 μ s
Display ON/OFF Control	0	0	0	0	0	0	1	D	C	B	Specify activation of display (D) cursor (C) and blinking of character at cursor position (B).	40 μ s
Display/ Cursor Shift	0	0	0	0	0	1	S/C	R/L	×	×	Shift display or move cursor.	40 μ s
Function Set	0	0	0	0	1	DL	N	F	×	×	Set interface data length (D), number of display line (N), and character font (F).	40 μ s
RAM Address Set	0	0	0	1	ACG						Load the address counter with a CG RAM address. Subsequent data access is for CG RAM data.	40 μ s
DD RAM Address Set	0	0	1	ADD						Load the address counter with a DD RAM address. Subsequent data access is for DD RAM data.	40 μ s	
Busy Flag/Address Counter Read	0	1	AC						Read Busy Flag (BF) and contents of Address Counter (AC).	40 μ s		
CG RAM/DD RAM Data Write	1	0	Write data						Write data to CG RAM or DD RAM.	40 μ s		
CG RAM/DD RAM Data Read	1	1	Read data						Read data from CG RAM or DD RAM	40 μ s		

Note 1: Symbol “ * ” signifies an insignificant bit (disregards).

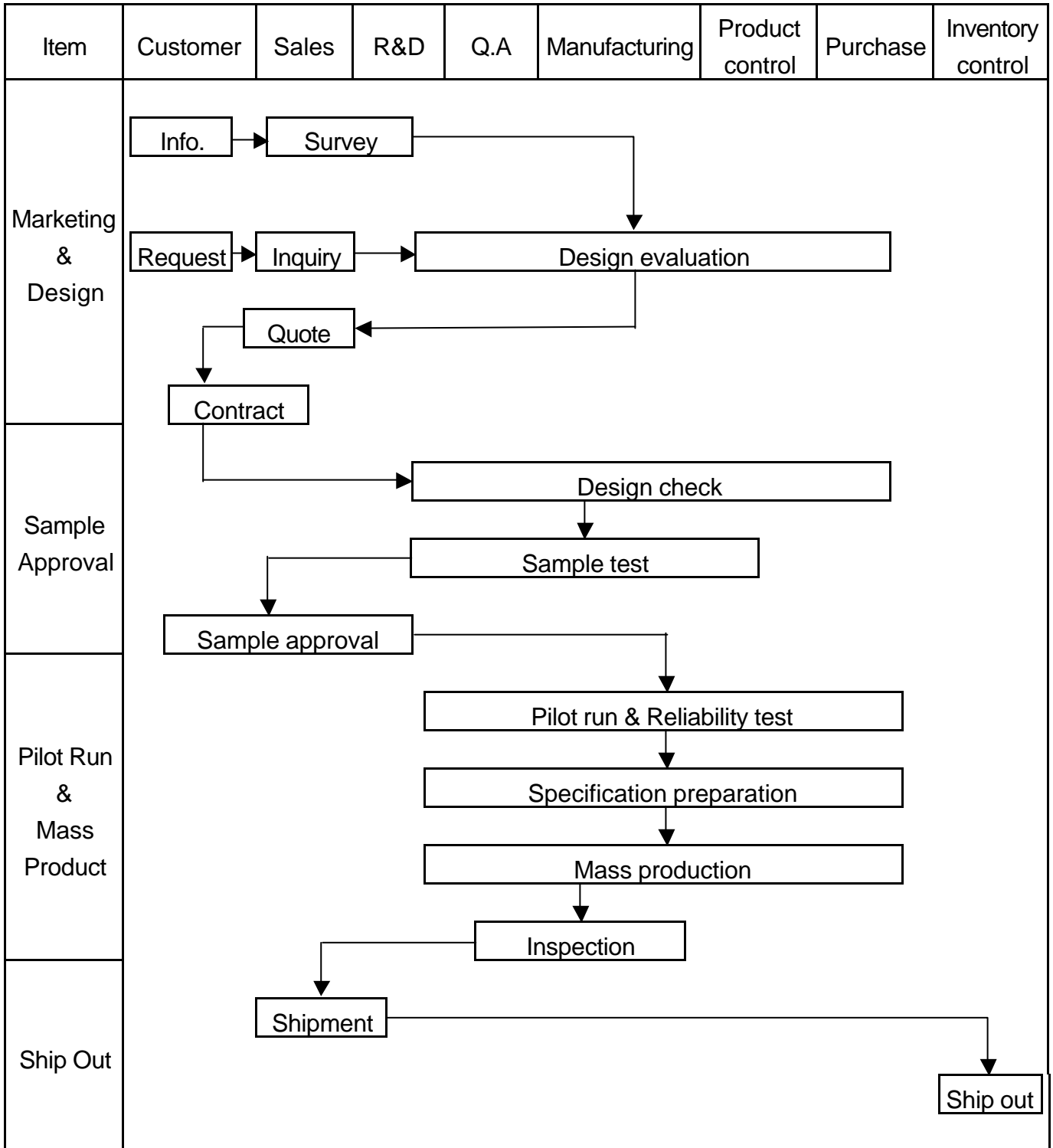
Note 2: Correct input value for “ N ” is predetermined for each model.



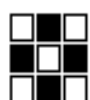
POWERTIP TECHNOLOGY CORPORATION
DISPLAY DEVICES FOR BETTER ELECTRONIC DESIGN

3. QUALITY ASSURANCE SYSTEM

3.1 Quality Assurance Flow Chart



<p>Sales Service</p>	<pre> graph TD Info[Info.] --> Claim[Claim] Claim --> Failure[Failure analysis] Failure --> Report[Analysis report] Failure --> Action[Corrective action] Action --> Tracking[Tracking] </pre>
<p>Q.A Activity</p>	<ol style="list-style-type: none"> 1. ISO 9001 Maintenance Activities 2. Process improvement proposal 3. Equipment calibration 4. Education And Training Activities 5. Standardization Management



3.2 Inspection Specification

Inspection Standard : MIL-STD-105E Table Normal Inspection Single Sampling Level

Equipment : Gauge、MIL-STD、Powertip Tester、Sample。

IQC Defect Level : Major Defect AQL 0.65; Minor Defect AQL 1.0。

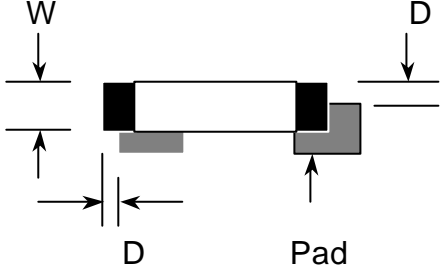
FQC Defect Level : 100% Inspection。

OUT Going Defect Level : Sampling。

Specification :

NO	Item	Specification	Judge	Level
1	Part Number	Inconsistent with the P/N on the flow chart of production	N.G.	Major
2	Quantity	Inconsistent Q'TY with the flow chart of production	N.G.	Major
3	Electronic characteristics $A=(L+W) \div 2$	Display short	N.G.	Major
		Missing line	N.G.	Major
		Dot missing $A > 1/2$ Dot size	N.G.	Major
		No function	N.G.	Major
		Out put data error	N.G.	Major
4	Appearance $A=(L+W) \div 2$ Dirty particle (Include scratch、bubble)	Material difference with flow chart	N.G.	Major
		LCD Assembled in opposite direction	N.G.	Major
		Bezel assembled in opposite direction	N.G.	Major
		Shadow within LCD $V./A + 1.0$ mm	N.G.	Major
		Dirty particle $A > 0.4$ mm	N.G.	Minor
		Dirty particle length > 3.0 mm And 0.01 mm $<$ Width 0.05 mm (Width $>$ 0.05 mm Measure by area)	N.G.	Minor
		Without protective film	N.G.	Minor
		Conductive rubber over bezel	N.G.	Minor
5	PCB Appearance $A=(L+W) \div 2$	Burned PCB	N.G.	Major
		Green paint stripped & visible circuit $A > 1.0$ mm (Finish coat not counted in)	N.G.	Minor
		A particle across the circuit	N.G.	Minor
		Circuit split $> 1/2$ Circuit width	N.G.	Minor
		Any circuit risen	N.G.	Minor
		0.2 mm $<$ Tin ball area $A \leq 0.4$ mm And Q'TY $>$ 4 Pieces	N.G.	Minor
		Tin ball area $A > 0.4$ mm	N.G.	Minor



NO	Item	Specification	Judge	Level
6	Molding appearance $A=(L+W) \div 2$	Too soft : Shape by touch changed	N.G.	Major
		Insufficient epoxy : IC circuit or IC pad visible	N.G.	Minor
		Excessive epoxy : Diameter > 20mm Or High > 2.5mm	N.G.	Minor
		Pin hole through to IC and A > 0.2mm	N.G.	Minor
7	Bezel appearance $A=(L+W) \div 2$	Angle between frame and TAB > 45 +10	N.G.	Minor
		Electroplate strip A > 1.0mm (Top view only)	N.G.	Minor
		Rust (Top view only)	N.G.	Minor
		Crack	N.G.	Minor
8	Backlight electric characteristics $A=(L+W) \div 2$	Error backlight color	N.G.	Major
		No function	N.G.	Major
		Any LED dot no function	N.G.	Major
		PIN soldering without tin A > 1/2 solder pad	N.G.	Minor
		Solder PIN high > 1.5mm	N.G.	Minor
9	LCD Appearance $A=(L+W) \div 2$	Polarize rise over V/A	N.G.	Minor
10	Assembly parts $A=(L+W) \div 2$	Components mark unclearly	N.G.	Minor
		Components' distance more than 0.7mm from the PCB	N.G.	Minor
		Error position ,not in center $D > 1/4W$	N.G.	Minor
				
		Non- solder area > Twice solder area	N.G.	Minor
		Flux area A > 1/4 solder area	N.G.	Minor
		Component broken	N.G.	Minor



4. RELIABILITY TEST

4.1 Reliability Test Condition

NO	Item	Test Condition		Applicable Standard
1	High Temperature Storage	Storage At 80 ± 2 96~100 hrs Surrounding Temperature , Then Storage At Normal Condition 4hrs.		MIL-202E
2	Low Temperature Storage	Storage At -30 ± 2 96~100 hrs Surrounding Temperature, Then Storage At Normal Condition 4hrs.		MIL-202E
3	High Temperature Humidity Storage	1.Storage 96~100 hrs 60 ± 2 , 90~95%RH Surrounding Temperature, Then Storage At Normal Condition 4hrs .(Polarizer may fail in this environment). or 2.Storage 96~100 hrs 40 ± 2 , 90~95%RH Surrounding Temperature, Then Storage At Normal Condition 4 hrs.		MIL-202E
4	Temperature Cycling	-20 25 70 25 (30Mins) (5Mins) (30Mins) (5Mins) 10 Cycle		MIL-202E
5	Vibration	10~55Hz (1 Minute) 1.5mm X,Y And Z Direction * (Each 2hrs)		MIL-202E
6	Drop Test	Packing Weight (Kg)	Drop High (Cm)	MIL-810E
		0 ~ 45.4	122	
		45.4 ~ 90.8	76	
		90.8 ~ 454	61	
		Over 454	46	



5. PRECAUTION RELATING PRODUCT HANDLING

5.1 SAFETY

- 5.1.1 If the LCD panel breaks , be careful not to get the liquid crystal to touch your skin.
- 5.1.2 If the liquid crystal touches your skin or clothes , please wash it off immediately by using soap and water.

5.2 HANDLING

- 5.2.1 Avoid any strong mechanical shock which can break the glass.
- 5.2.2 Avoid static electricity which can damage the CMOS LSI—When working with the module , be sure to ground your body and any electrical equipment you may be using.
- 5.2.3 Do not remove the panel or frame from the module.
- 5.2.4 The polarizing plate of the display is very fragile. So , please handle it very carefully , do not touch , push or rub the exposed polarizing with anything harder than an HB pencil lead (glass , tweezers , etc.)
- 5.2.5 Do not wipe the polarizing plate with a dry cloth , as it may easily scratch the surface of plate.
- 5.2.6 Do not touch the display area with bare hands , this will stain the display area.
- 5.2.7 Do not use ketonics solvent & aromatic solvent. Use with a soft cloth soaked with a cleaning naphtha solvent.

5.3 STORAGE

- 5.3.1 Store the panel or module in a dark place where the temperature is 25 ± 5 and the humidity is below 65% RH.
- 5.3.2 Do not place the module near organics solvents or corrosive gases.
- 5.3.3 Do not crush , shake , or jolt the module.



5.4 TERMS OF WARRANTY

5.4.1 Applicable warrant period

The period is within thirteen months since the date of shipping out under normal using and storage conditions.

5.4.2 Unaccepted responsibility

This product has been manufactured to your company' s specification as a part For use in your company' s general electronic products. It is guaranteed to Perform according to delivery specifications. For any other use apart from general electronic equipment , we cannot take responsibility if the product is used in medical devices , nuclear power control equipment , aerospace equipment , fire and security systems or any other applications in which there is a direct risk to human life and where extremely high levels of reliability are required.

