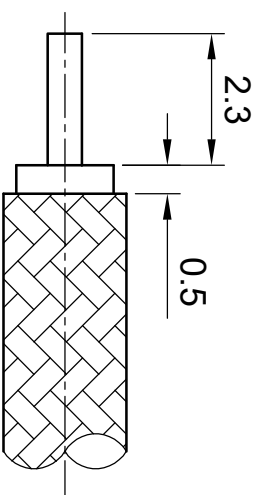
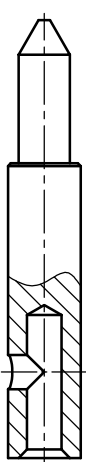
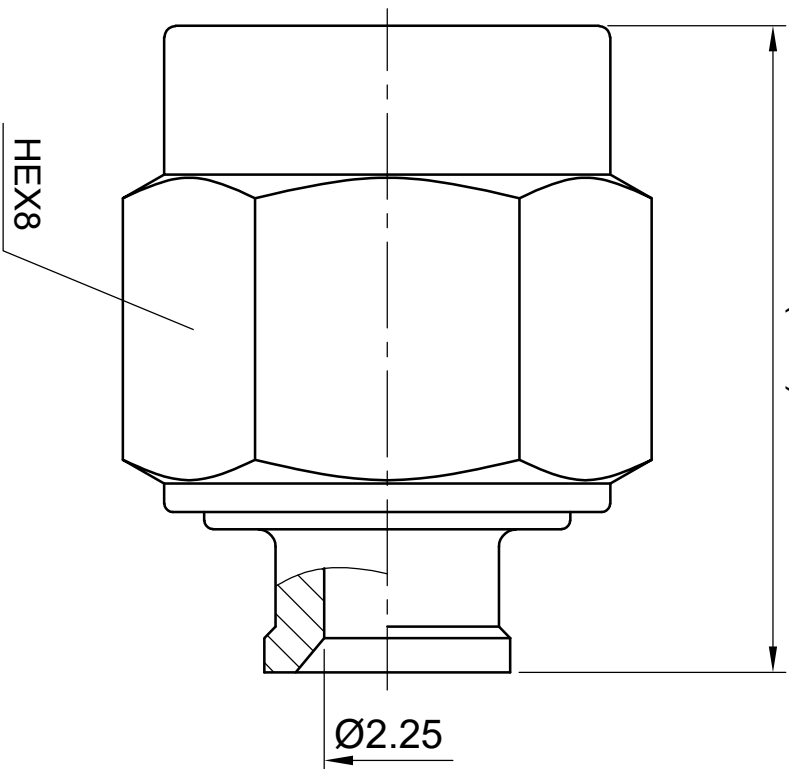


(11.3)



Recommended wire
stripping size

- NOTES:
1. Temperature range: -45~+85°C;
 2. Characteristic impedance: 50Ω;
 3. Frequency range: DC~6GHz;
 4. Dielectric withstanding voltage: 500V rms;
 5. Insulation resistance: ≥1000MΩ;
 6. VSWR: ≤1.2 (DC~6GHz);
 7. Durability: 500 cycles;
 8. Salt spray: 72h;

5	Gasket	Silicon Rubber		1
4	Nut	Brass	Gold	1
3	Body	Brass	Gold	1
2	Insulators	Teflon		1
1	Center Contact	Brass	Gold	1
NO.	Description	Material	Finish	QTY

Materials and surface treatment

Unless otherwise specified tolerance

>120~400	±1.0
>30~120	±0.6
>6~30	±0.4
0.5~6	±0.2
Ang	±1°

UNITS: mm

VIEW PROJECTION:



常州市新盛电器有限公司
Changzhou XinSheng Electronics CO., LTD.

TITLE: SMA-JB2

Designed ZJ Dong

Checked ZJ Dong

Approved ZB Bai

Date 24.12.06

SCALE: 1:1

SHEET: 1

REV: A

DWG NO. 21B005V1410(5070203)

PART NO.

REV	Revision Note	DATE	DRAWN	APPROVED