

2pin

3pin

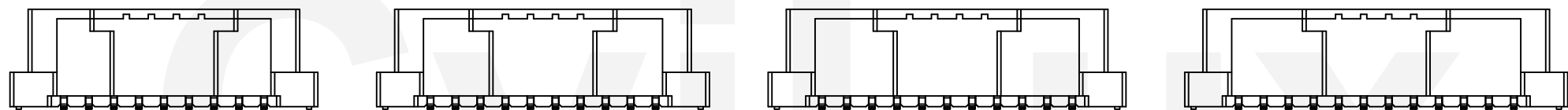
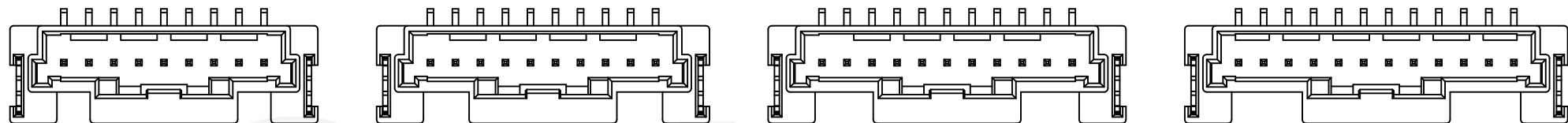
4pin

5pin

6pin

7pin

8pin

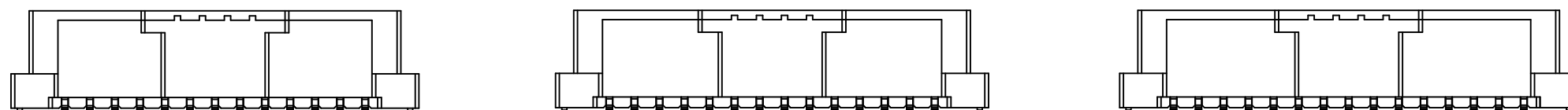
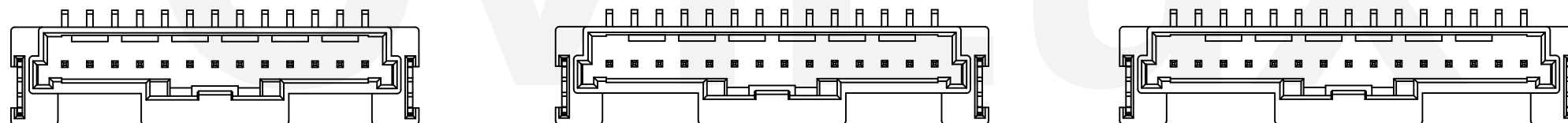


9pin

10pin

11pin

12pin



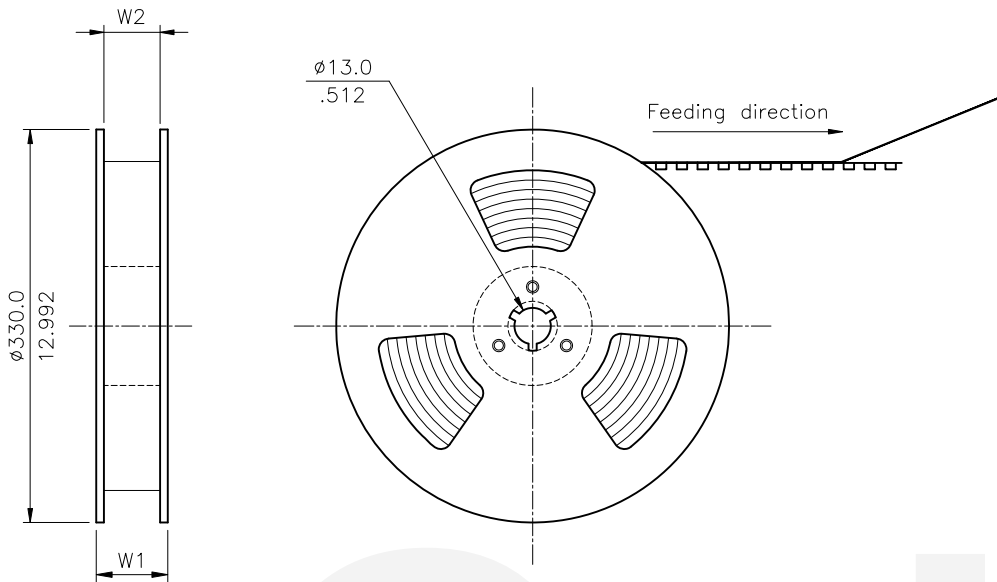
13pin

14pin

15pin

Lead Free Process RoHS compliant

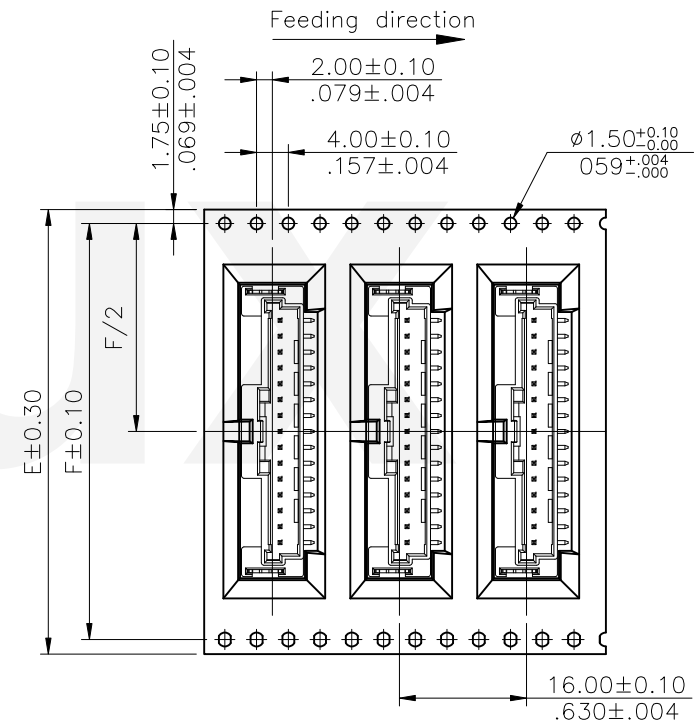
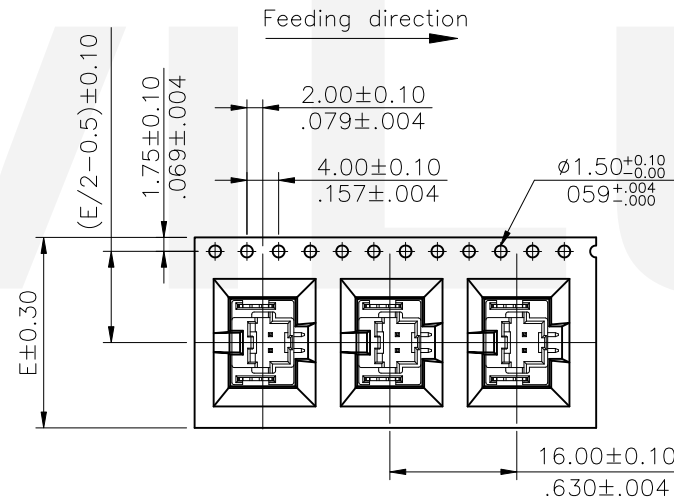
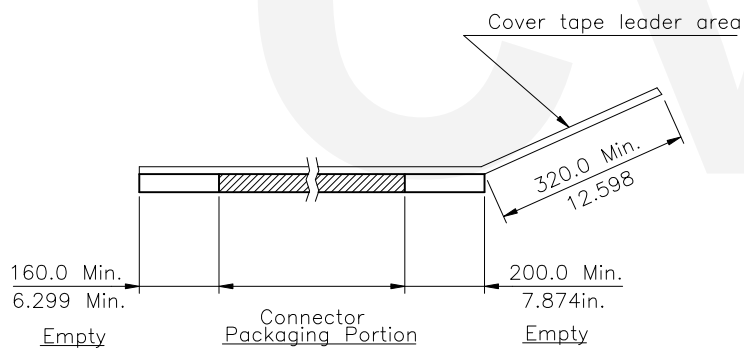
4						DATE	UNIT: mm / inch	TITLE: 2.00MM(.079")	 瀚荃股份有限公司 CviLux Corporation
3			DRAWN BY: Sun		6/16-20'	TOLERANCE UNLESS OTHERWISE SPECIFIED	STRAIGHT SMT TYPE HEADER		
2	Sun	6/16-20'	ECNT120157		ENGINEER: Sun	6/16-20'	.X ± 0.25/.010 X' ± 2'	MATERIAL:	
1	Sun	11/4-19'	ECNT119306		CHECKED BY: Eisley	6/19-20'	.XX ± 0.15/.008 X' ± 1'	FINISH:	
SYM	NAME	DATE	REVISIONS	APPROVED BY: Eisley	6/19-20'	.XXX ± 0.08±.003 .XX' ±		DRAWING NO. CID904SC	PART NO. CID9**M1VR0-LF
								SCALE 2 / 1	SHEET 2 OF 3



NOTES:

1. 10 sprocket hole pitch cumulative tolerance ± 0.20
2. Carrier camber is within 1 mm in 250 mm.
3. Material : Transparent PS
4. Cover Tape : Transparent
5. Thickness : 0.50 ± 0.05 mm.
6. All dimensions meet EIA-481 requirements.
7. Quantity : 450 PCS/Reel


Circuits	Dimension				Packing (Reel/Carton)
	E	F	W1	W2	
2-3	24.0(.945)	—	28.50(1.122)	24.50(.965)	8
4-5	32.0(1.260)	28.4(1.118)	36.50(1.437)	32.50(1.280)	7
6-11	44.0(1.732)	40.4(1.596)	48.50(1.909)	44.50(1.752)	5
12-15	56.0(2.205)	52.4(2.063)	60.50(2.381)	56.50(2.224)	4



WIDTH : 24 mm Carrier

WIDTH : 32,44,56 mm Carrier

RoHS Compliant

SYM	NAME	DATE	REVISIONS	APPROVED BY:	DATE	UNIT: mm / inch	TITLE: 2.00MM(.079") STRAIGHT SMT TYPE HEADER	 瀚荃股份有限公司 CviLux Corporation
4						UNIT: mm / inch		
3						TOLERANCE UNLESS OTHERWISE SPECIFIED		SCALE SHEET 3 OF 3
2	Sun	6/16-20'	ECNT120157	CHECKED BY: Sun	6/16-20'	.X ± 0.20/.008 X' ± 1'	MATERIAL:	
1	Sun	11/4-19'	ECNT119306	CHECKED BY: Eisley	6/19-20'	.XX ± 0.15/.006 X' ±	FINISH:	
				APPROVED BY: Eisley	6/19-20'	.XXX ± 0.08/.003 X' ±		

CVILUX
 2020.06.29
 ISSUED