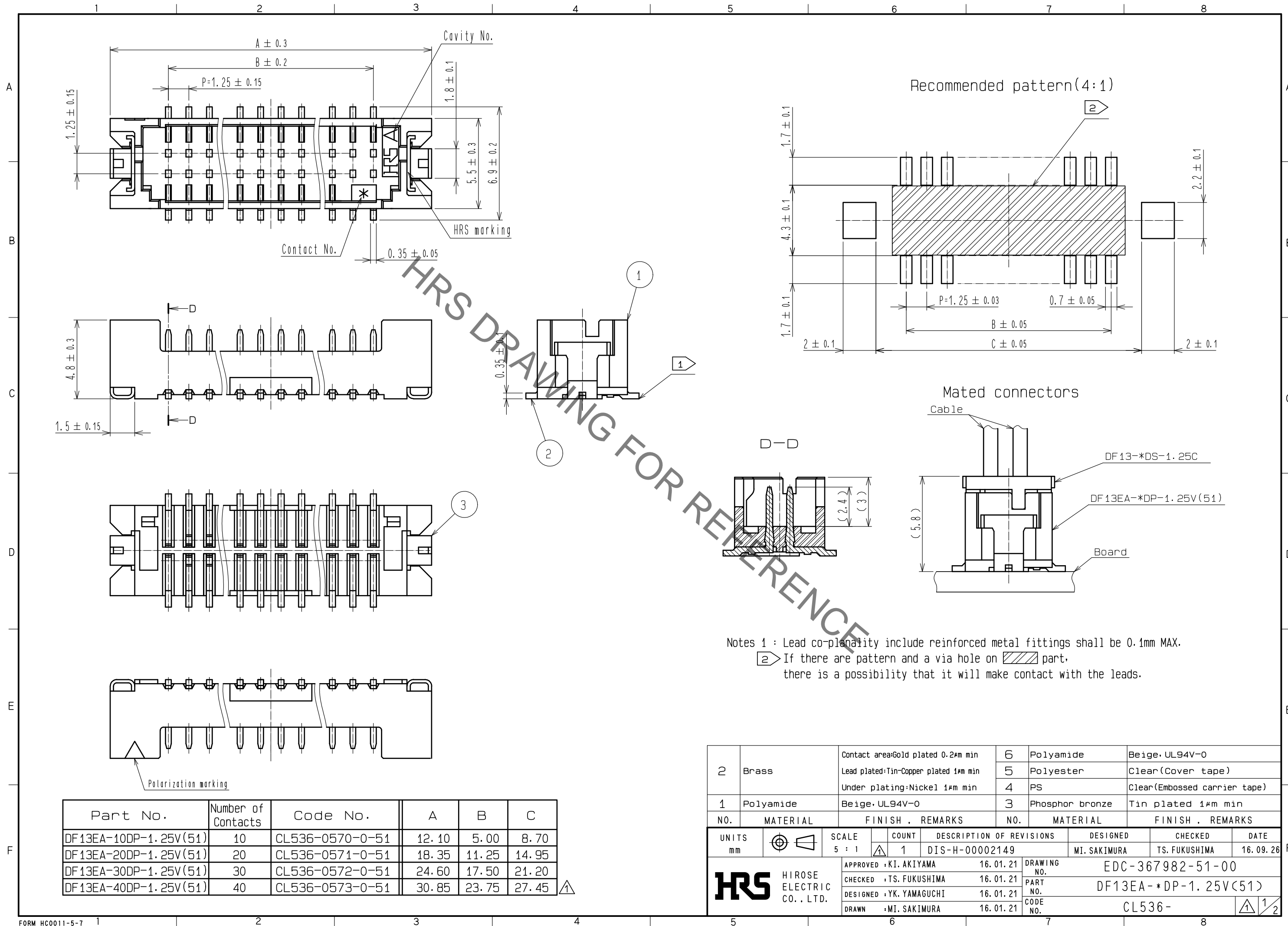
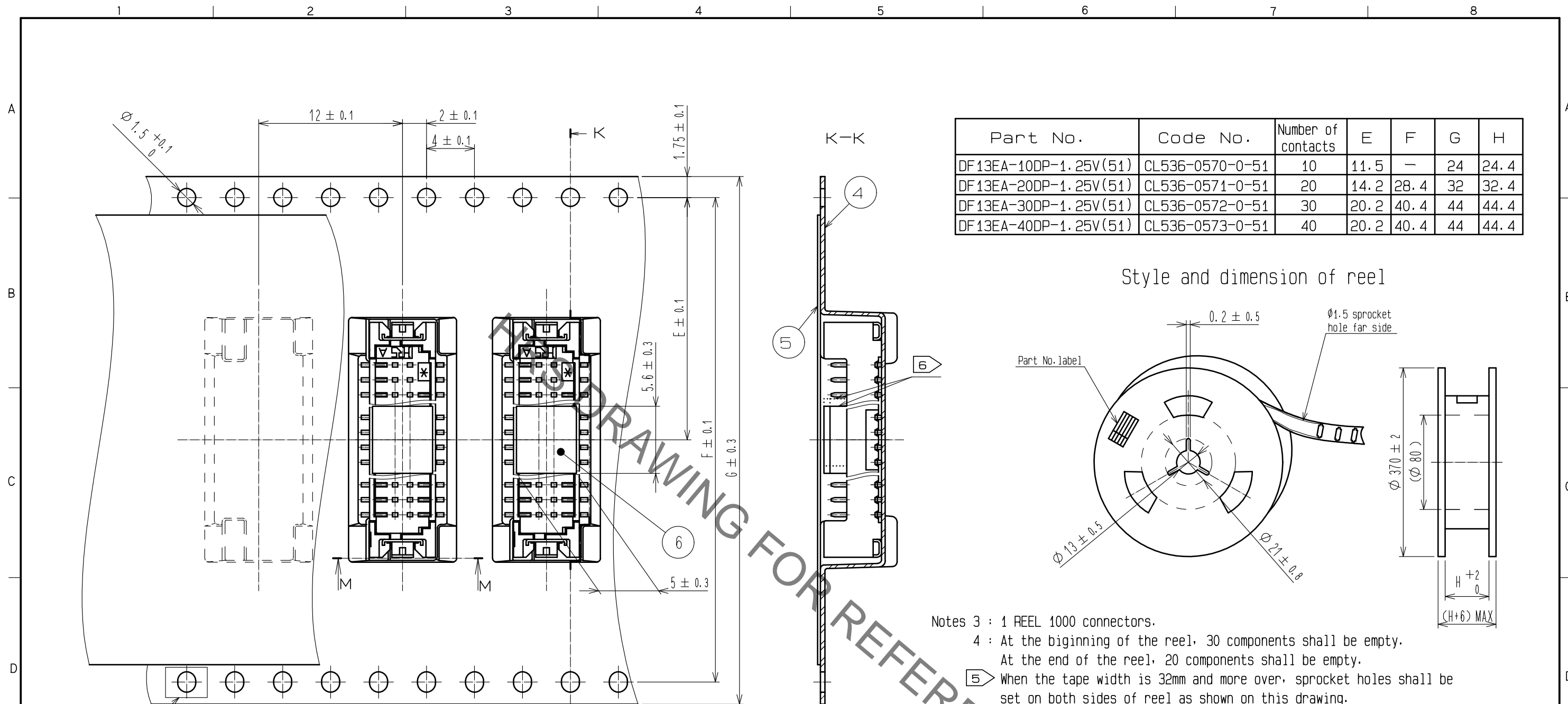


Feb.1.2020 Copyright 2020 HIROSE ELECTRIC CO., LTD. All Rights Reserved.
In case of consideration for using Automotive equipment / device which demand high reliability, kindly contact our sales window correspondents.



Feb.1.2020 Copyright 2020 HIROSE ELECTRIC CO., LTD. All Rights Reserved.
 In case of consideration for using Automotive equipment / device which demand high reliability, kindly contact our sales window correspondents.



| Part No. | Code No. | Number of contacts | E | F | G | H |
|-----------------------|-----------------|--------------------|------|------|----|------|
| DF13EA-10DP-1.25V(51) | CL536-0570-0-51 | 10 | 11.5 | — | 24 | 24.4 |
| DF13EA-20DP-1.25V(51) | CL536-0571-0-51 | 20 | 14.2 | 28.4 | 32 | 32.4 |
| DF13EA-30DP-1.25V(51) | CL536-0572-0-51 | 30 | 20.2 | 40.4 | 44 | 44.4 |
| DF13EA-40DP-1.25V(51) | CL536-0573-0-51 | 40 | 20.2 | 40.4 | 44 | 44.4 |

Style and dimension of reel

Notes 3 : 1 REEL 1000 connectors.

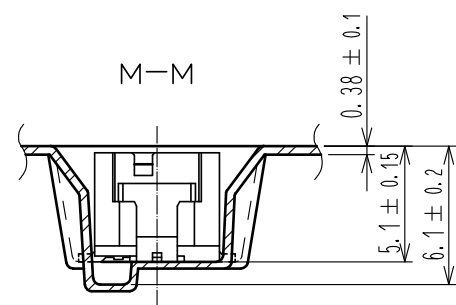
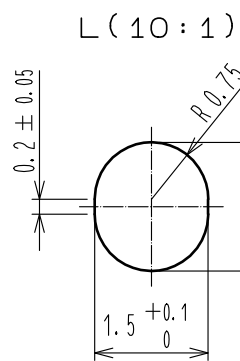
4 : At the beginning of the reel, 30 components shall be empty.
 At the end of the reel, 20 components shall be empty.

5 : When the tape width is 32mm and more over, sprocket holes shall be set on both sides of reel as shown on this drawing.

6 : For 10 and 30 contacts cap shall be at the center of component (shown in drawing with continuous line),
 for 20 and 40 contacts at the position moved to HRS marking by half pitch (shown in drawing with dotted line).

7 : Detail of part No. label is written in Japanese.

Direction of unreeling



7 : Detail of Part NO. label

- Supplier
- Quantity
- Part No.
- Code No.
- Date of manufactured

| | |
|------|----------------------|
| 生産月日 | 年 月 日 |
| 図番 | CL536-****-*-51 |
| 品番 | DF13EA-*DP-1.25V(51) |
| 納入数量 | 1000K \square |
| 納入者 | ヒロセ電機(株) |

| | | |
|------------|-------------|----------------------|
| HRS | DRAWING NO. | EDC-367982-51-00 |
| | PART NO. | DF13EA-*DP-1.25V(51) |
| | CODE NO. | CL536- |

2/2