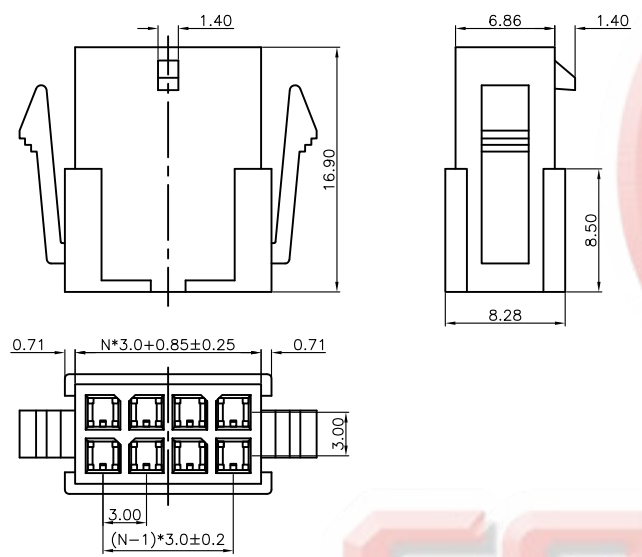
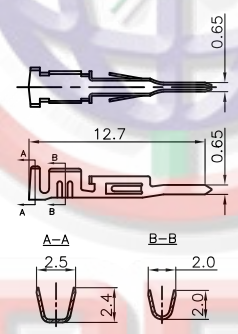


REV.	DESCRIPTION	DRAWN	CHECKED	APPROVED
A	NEW RELEASE	LL 07/07/06'		LJC 07/07/06'
B	DRAWING UPDATE	JLZ 05/21/18'		

MALE



Male TERMINAL



NOTES:

- MAIN SPECIFICATIONS
  - Housing material: NYLON
  - Rated voltage: 250V
  - Rated current: 3A
  - Contact resistance: 100mΩ Max
  - Insulation resistance: 1000MΩ Min
  - Withstanding voltage: 500V,AC 1 minute
  - Temperature range: -25°C ~ +85°C
- PRODUCT NUMBER CODE:

Housing:  
 I - DS1073-03 - X X X 0 X

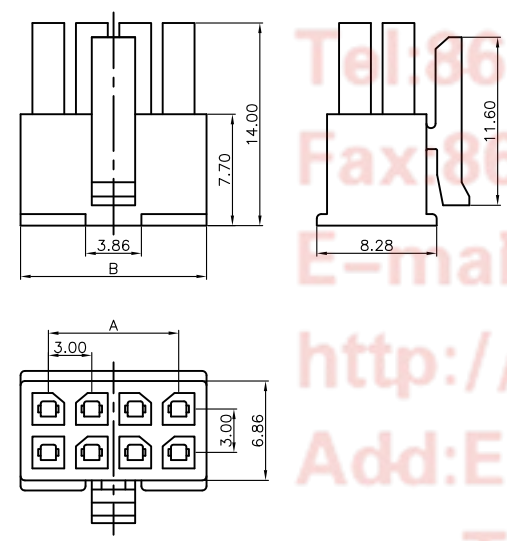
No. of Holes  
 02\*1~02\*12

Housing Color  
 B: Black  
 T: Transparent

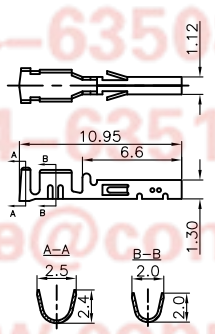
Mounting type  
 C: Crimp type

Housing type  
 P: Male  
 S: Female

FEMALE



Female TERMINAL



Terminal:  
 T - DS1073-03 - X X 6 0 0

Plating type  
 6: Tin

Mounting type  
 C: Crimp type

Terminal type  
 P: Male  
 S: Female

Tel: 86-574-63508787  
 Fax: 86-574-63510817  
 E-mail: sale@connfly.com  
 http://www.connfly.com

GENERAL TOLERANCE	ANGLE TOLERANCE	PROJECTION	TITLE
X. ±0.60	X. ±5°	mm	MICRO ATX CONNECTOR
.X ±0.38	.X ±3°	A4	PITCH 3.0mm Crimp Type
.XX ±0.25	.XX ±2°	SHEET SIZE	SERIES DS1073-03 SERIES
DRAWING TYPE CUSTOMER		晨翔电子有限公司	
SCALE	1:1 SHEET 1 OF 1	CONNFLY CONNFLY ELECTRONIC CO., LTD	
DRAWING NO.	C-DS1073-03-XXXXX-B		