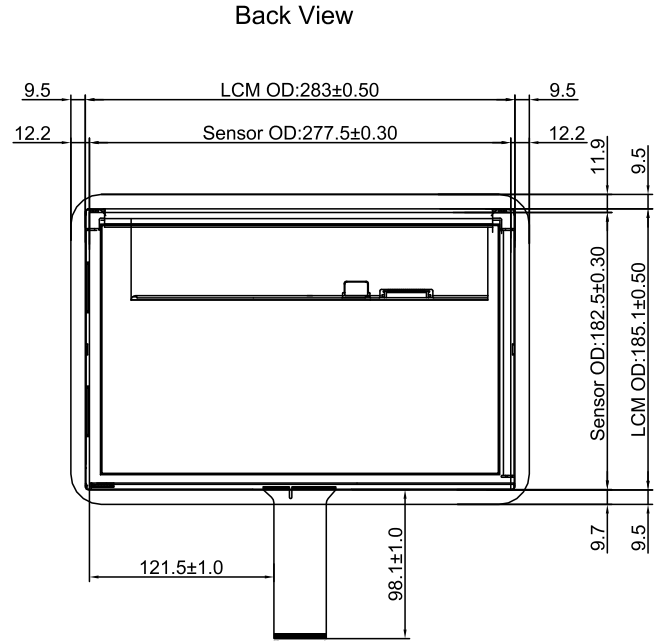
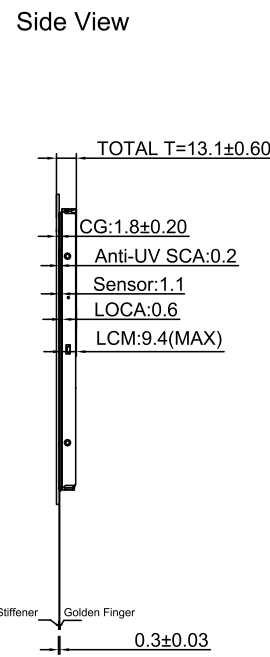
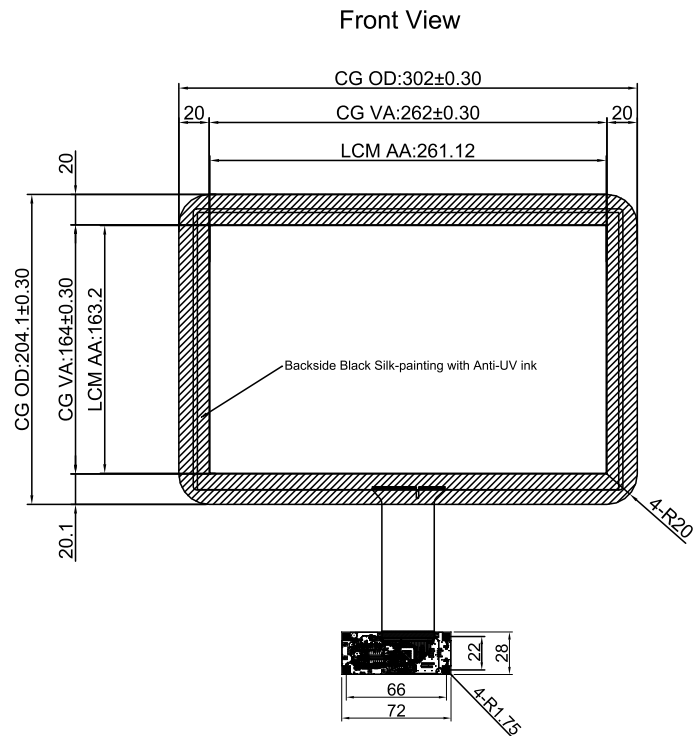


Ver.	Modify No.	Details	Area	P.I.C	Date



- Technical Datasheet:
1. Structure: TP+LCM Optical Bonding
 2. Cover Glass: 1.8mm Tempered Glass
 3. LCD: G121EAN01.3
 4. TP Controller: BTP-TPM-CTR-ILI-121B-SN51
 5. TP Controller IC: ILI2511
 6. Surface Hardness: ≥6H
 7. Light Transmittance: ≥85%
 8. Working Temperature: -20℃~+80℃, ≤85%RH;
 9. Storage Temperature: -30℃~+80℃, ≤85%RH;
 10. Unmarked Tolerance: ±0.5mm
 11. All materials used conform to RoHS standards

Part No.		BTP-TPM-G1-12.1-ILI-SN51		
Product Name:		Drawing No.	PM121260303SN51	
12.1 inch Touch Display (TP+LCM Optical Bonding)		Project Code.	PM121SN51	
Business Unit:		Period Mark	View Angle	Ratio
SNT-BTP		A		1:1
Designed by:	Curry.Wang	BOM Code		2.03.121.01.0151
Checked by:	Jimmy.Lu	Page 1		Total 1 Page
Approved by:	Cale.Chen	Product Series		BTP-TPM
Workmanship:				
Standardization:	Link.Chen			
Released by:	Rocky.Liu			

