

R19A Series Rocker Switches



SPECIFICATION:

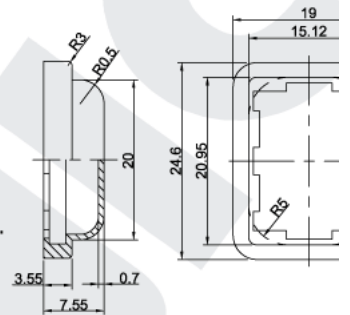
Rating: 6A 250V AC (Standard), 10A 250V.
 Contacts gap: > 3mm.
 Contact resistance: < 20mΩ. (initial)
 Insulation resistance: > 1,000 MΩ.
 Withstand voltage: > 1,500V DC for 1 minute.
 Mechanical life: > 30,000 Cycles.
 Electrical life: > 10,000 Cycles.

MATERIALS:

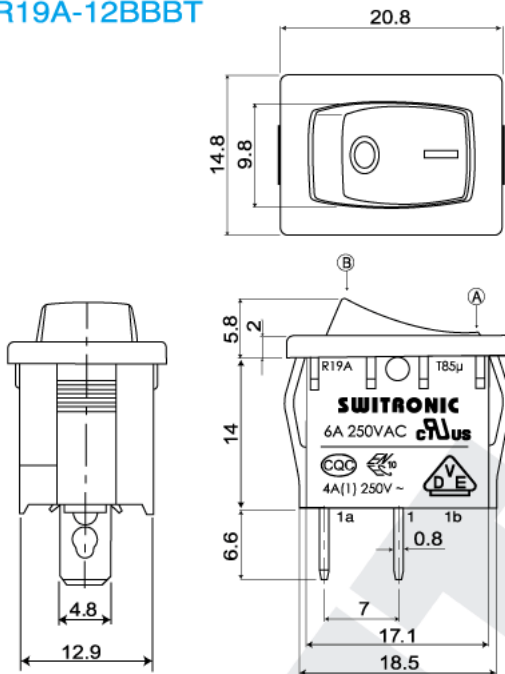
Body: Nylon 66.
 Rocker: PC or Nylon.
 Contact surface:
 Alloy contact point, Silver plated.
 Illuminated: LED.
 Terminal: Brass, Silver plated.



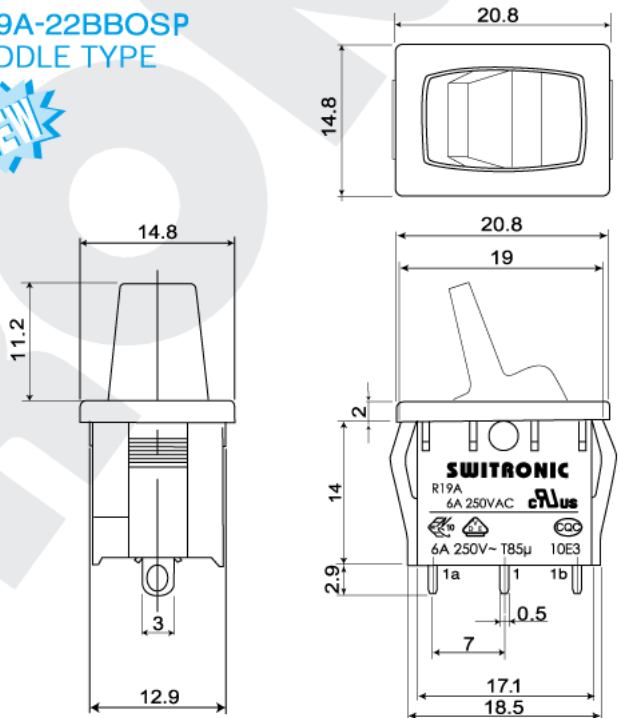
R19 SEAL C



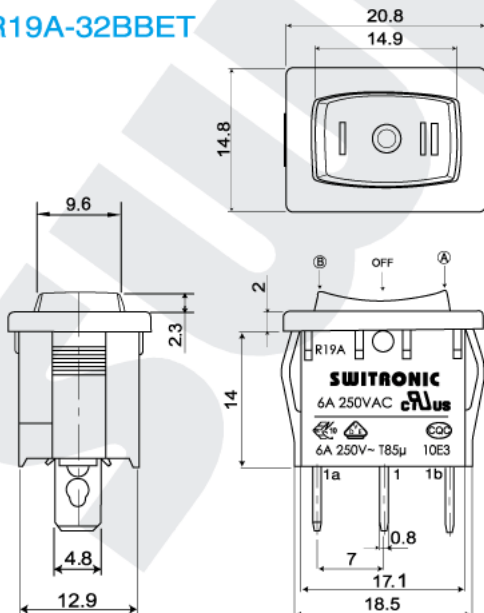
R19A-12BBBT



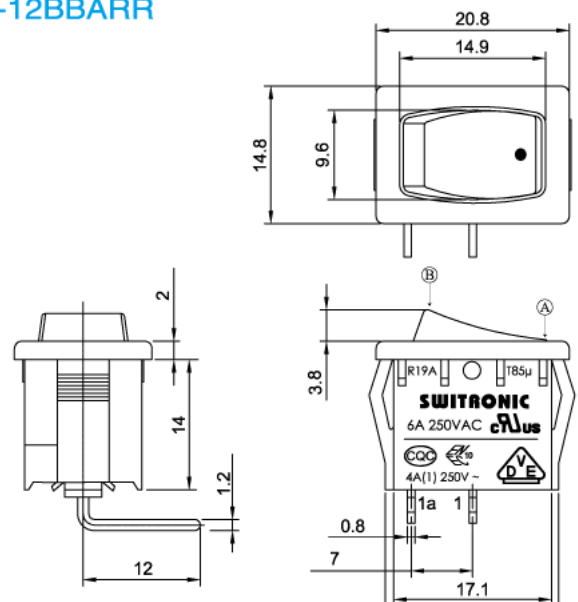
R19A-22BBOSP PADDLE TYPE



R19A-32BBET



R19A-12BBARR



18.5

SWITRONIC

TEL : 886-2-27290229
FAX: 886-2-27582086

B1

URL : www.switronic.com
E-Mail: switches@ms36.hinet.net

