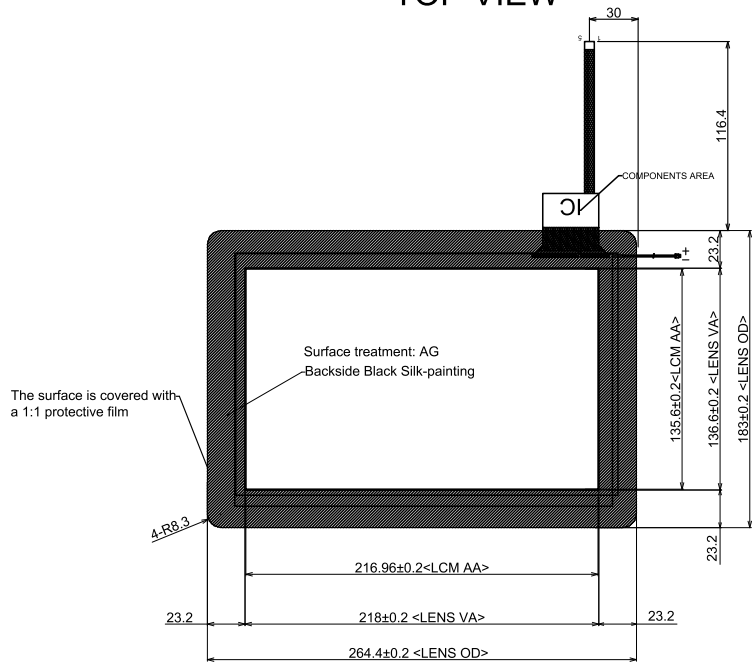
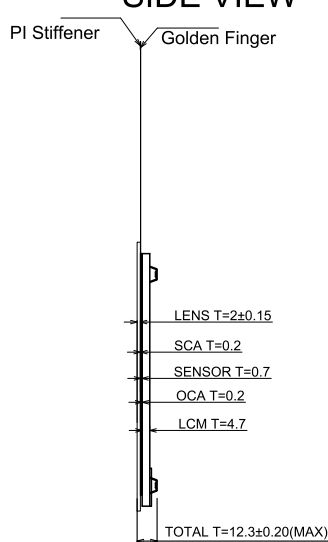


| ver. | Modify NO. | Details | Area | P.I.C | Date |
|------|------------|--|------|-------|--------|
| 07 | 01 | Add acoustic permeable membrane and 1: 1 protective film | DWG | Curry | 230718 |

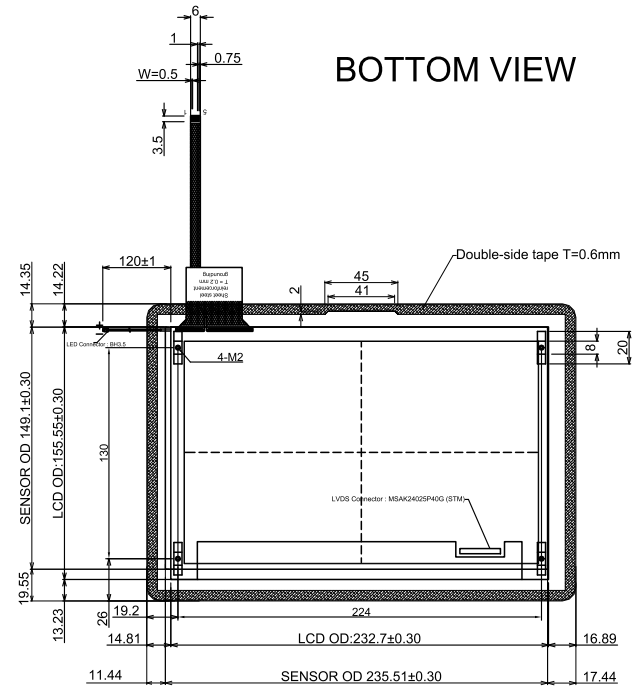
TOP VIEW



SIDE VIEW



BOTTOM VIEW



LVDS PIN

| Pin | Symbol |
|-----|--------|
| 1 | NC |
| 2 | VDDIN |
| 3 | VDDIN |
| 4 | VDDIN |
| 5 | NC |
| 6 | GND |
| 7 | GND |
| 8 | RIN0- |
| 9 | RIN0+ |
| 10 | GND |
| 11 | RIN1- |
| 12 | RIN1+ |
| 13 | GND |
| 14 | RIN2- |
| 15 | RIN2+ |
| 16 | GND |
| 17 | CLK- |
| 18 | CLK+ |
| 19 | GND |
| 20 | RIN3- |
| 21 | RIN3+ |
| 22 | GND |
| 23 | NC |
| 24 | NC |
| 25 | GND |
| 26 | NC |
| 27 | NC |
| 28 | GND |
| 29 | NC |
| 30 | NC |
| 31 | NC |
| 32 | NC |
| 33 | NC |
| 34 | NC |
| 35 | NC |
| 36 | NC |
| 37 | NC |
| 38 | NC |
| 39 | NC |
| 40 | NC |

USB PIN ASSIGNMENT

| | |
|---|------|
| 1 | GND |
| 2 | NC |
| 3 | D+ |
| 4 | D- |
| 5 | VBUS |

- LCM Notes:
- Brightness: 1000nits
 - Connector: LVDS Connector: MSAK24025P40G (STM)
LED Connector: BH3.5
 - Backlight voltage/current: 23V/240mA

Technical Datasheet:

- Structure: TP+LCM Optical Bonding
- Cover Glass: 2mm Tempered Glass
Surface treatment: AG
- LCD: GV101WXB-NN0(1000nits)
- TP Controller: BTP-TMS-CTR-ILI-101B-R16 COF
- TP Controller IC: ILI2511 (Interface: USB)
- Surface Hardness: ≥6H
- Light Transmittance: ≥85%
- Working Temperature: -20℃~+70℃, ≤85%RH;
- Storage Temperature: -30℃~+80℃, ≤85%RH;
- Unmarked Tolerance: ±0.5mm
- All materials used conform to RoHS standards

| TOP | |
|--------------|--------|
| Cover | 2.0mm |
| BEA | 0.3mm |
| HO | 0.1mm |
| Spacer glass | 0.1mm |
| HO | 0.3mm |
| SCA | 0.3mm |
| LCM | 4.55mm |

| BOTTOM | |
|--------------|--------|
| Cover | 2.0mm |
| BEA | 0.3mm |
| HO | 0.1mm |
| Spacer glass | 0.1mm |
| HO | 0.3mm |
| SCA | 0.3mm |
| LCM | 4.55mm |

| Part No. | | BTP-TPM-10-1-GV-SN01 | | |
|---|-----------|---|------------------|--------------|
| Product Name: | | Drawing No. | PM1012300718SN01 | |
| 10.1inch Touch Display (TP+LCM Optical Bonding) | | Project Code. | 23RL01 | |
| Business Unit: | | Period Mark | View Angle | Ratio |
| SNT-BTP | | A | | 1:3 |
| Workmanship: | Yong.Xin | BOM Code | 2.03.101.02.0101 | |
| Standardization: | Link.Chen | Product Series | BTP-TPM | |
| Released by: | Rocky.Liu | Page 1 | | Total 1 Page |
| | | 思诺泰科电子(苏州)有限公司 SINO ELECTRONICS INC. | | |