



PROPRIETARY NOTE

THIS SPECIFICATION IS THE PROPERTY OF BOE DT AND SHALL NOT BE REPRODUCED OR COPIED WITHOUT THE WRITTEN PERMISSION OF BOE DT AND MUST BE RETURNED TO BOE DT UPON ITS REQUEST

**TITLE : MV215FHM-A10 Preliminary
Product Specification
Rev.P1**

Beijing BOE Display Technology Co, Ltd.

SPEC. NUMBER
S

PRODUCT GROUP

Rev. P1

ISSUE DATE
2015.04.13

PAGE
1 OF 30

REVISION HISTORY

() preliminary specification

(●) Final specification

| Revision No. | Page | Description of changes | Date | Prepared |
|--------------|------|------------------------|------------|---------------|
| P0 | | Initial Release | 2014.04.13 | Mingchao Wang |
| P1 | | Initial Release | 2014.04.16 | Xiaofang Gu |
| | | | | |
| | | | | |
| | | | | |
| | | | | |
| | | | | |
| | | | | |
| | | | | |
| | | | | |
| | | | | |
| | | | | |
| | | | | |
| | | | | |
| | | | | |

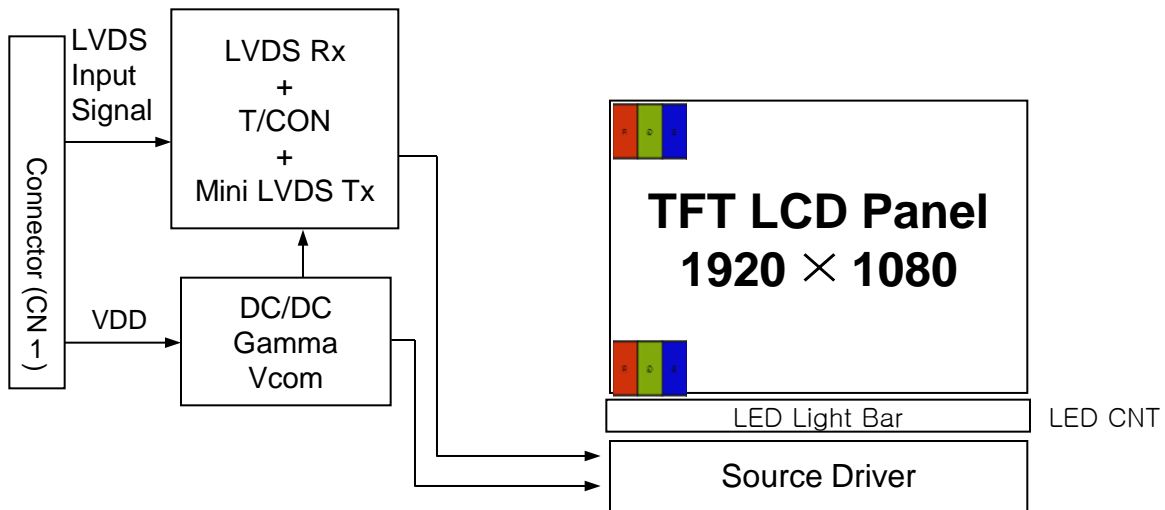
Contents

| No. | Item | Page |
|------|--|------|
| 1.0 | General Description | 4 |
| 2.0 | Absolute Maximum Ratings | 6 |
| 3.0 | Electrical Specifications | 7 |
| 4.0 | Optical Specifications | 8 |
| 5.0 | Interface Connection | 10 |
| 6.0 | Signal Timing Specifications | 14 |
| 7.0 | Signal Timing Waveforms of Interface Signal | 16 |
| 8.0 | Input Signals, Display Colors & Gray Scale of Colors | 18 |
| 9.0 | Power Sequence | 19 |
| 10.0 | Mechanical Characteristics | 20 |
| 11.0 | Reliability Test | 21 |
| 12.0 | Handling& Cautions | 22 |
| 13.0 | Product Serial Number | 23 |
| 14.0 | Packing | 24 |
| 15.0 | Appendix | 27 |

1.0 GENERAL DESCRIPTION

1.1 Introduction

MV215FHM-N20 is a color active matrix TFT LCD module using amorphous silicon TFT's (Thin Film Transistors) as an active switching devices. This module has a 21.5 inch diagonally measured active area with FHD resolutions (1920 horizontal by 1080 vertical pixel array). Each pixel is divided into RED, GREEN, BLUE dots which are arranged in vertical stripe and this module can display 16.7M colors. The TFT-LCD panel used for this module is adapted for a low reflection and higher color type.



1.2 Features

- LVDS Interface with 2 pixel / clock
- High-speed response
- 0.5t Glass
- 6-bit (Hi-FRC) color depth, display 16.7M colors
- Incorporated edge type back-light (One Light Bar)
- High luminance and contrast ratio, low reflection and wide viewing angle
- DE (Data Enable) only
- RoHS/Halogen Free
- Gamma Correction
- Reverse type

1.3 Application

- Desktop Type of PC & Workstation Use
- Slim-Size Display for Stand-alone Monitor
- Display Terminals for Control System
- Monitors for Process Controller

1.4 General Specification

The followings are general specifications at the model MV215FHM-N20.

<Table 1. General Specifications>

| Parameter | Specification | Unit | Remarks |
|---------------------|------------------------------------|--------|-------------------------|
| Active area | 476.64(H) × 268.11 (V) | mm | |
| Number of pixels | 1920(H) × 1080(V) | pixels | |
| Pixel pitch | 0.24825(H) × 0.24825(V) | mm | |
| Pixel arrangement | RGB Vertical stripe | - | |
| Display colors | 16.7M | colors | |
| Display mode | Normally Black | - | |
| Dimensional outline | 485.3(H) × 285.3(V) × 13.4(D) typ. | mm | Detail refer to drawing |
| Weight | 2.16(Typ.) | Kg | Without touch |
| Surface Treatment | 7H | - | |
| Back-light | Lower side 1-LED Light bar Type | - | |

1.4.2 General Specification for Touch

The followings are general specifications for the touch of the model MV215FHM-A10

<Table 2. General Specifications for touch>

| Parameter | Specification | Unit | Remarks |
|--------------------------------------|--|---------|---------|
| Module Size | 21.5 | [inch] | |
| Win 8.1 LOGO | OK | - | |
| Touch Structure | OGS | - | |
| OGS Overall Size | 484.44±0.1 × 279.2±0.1 | [mm] | |
| Cover Lens View Area Size (Printing) | 477.64±0.1 × 269.11±0.1 | [mm] | |
| Module Weight | TBD g max | [grams] | |
| OGS or Cover Film Hardness | 7H | - | |
| OGS Sensor Substrate Material | Sodalime (No 1st and 2nd strengthen) | - | |
| OGS Sensor Thickness | 0.7 | [mm] | |
| Bonding Mode between Sensor / OC | Air Bonding | - | |
| Bonding Gap between Sensor /OC | 0 Gap | [mm] | |
| ASF (Anti-Split Film) | No | - | |
| Control Board From | FPCA | | |
| Control Board Size | 115x50 | [mm] | |
| Driver IC for Touch Module | SIS (Weida) | - | |
| Number of TX/RX | 44/78 | | |
| Interface | HID-USB | - | |
| Touch Points (min) | 10 | - | |
| Z-Axis Detection | <=0.5 | [mm] | |
| Report Rate | 100Hz | [Hz] | |
| Finger Separation | <12mm in X,Y direction, <15mm in diagonal | [mm] | |
| Firmware Updatable | Yes | - | |
| Touch accuracy | + -1.0mm 1.5mm | mm | TP only |
| Supports Selective Suspend | No | NA | |
| Transmittance | ≥85% | % | |
| 4PB test B10. | 150Mpa min | Mpa | |

2.0 ABSOLUTE MAXIMUM RATINGS

The followings are maximum values which, if exceed, may cause faulty operation or damage to the unit. The operational and non-operational maximum voltage and current values are listed in Table 3.

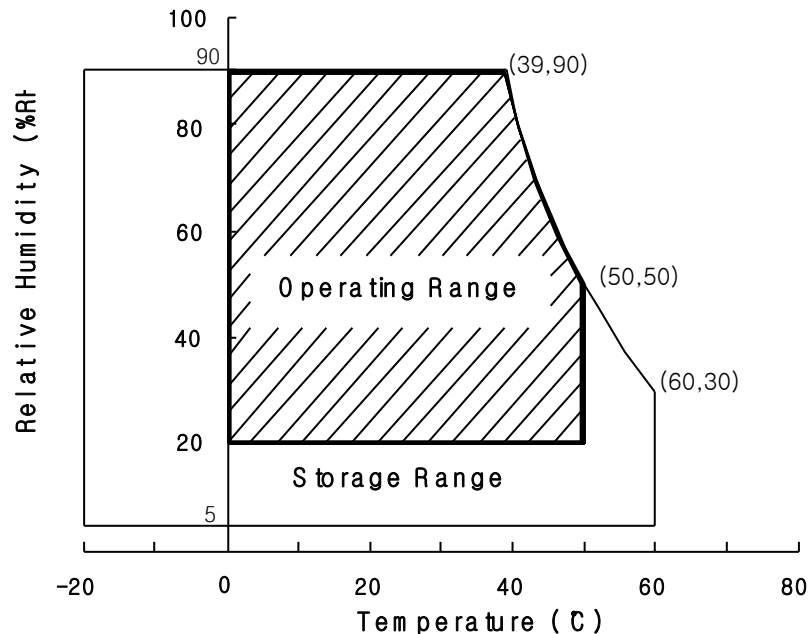
< Table 3. Absolute Maximum Ratings >

[VSS=GND=0V]

| Parameter | Symbol | Min. | Max. | Unit | Remarks |
|-----------------------|----------|---------|--------------|------|------------|
| Power Supply Voltage | V_{DD} | -0.5 | 5.5 | V | Ta = 25 °C |
| Logic Supply Voltage | V_{IN} | VSS-0.3 | $V_{DD}+0.3$ | V | |
| Operating Temperature | T_{OP} | 0 | +50 | °C | 1) |
| Storage Temperature | T_{ST} | -20 | +60 | °C | 1) |

Note : 1) Temperature and relative humidity range are shown in the figure below.

Wet bulb temperature should be 39 °C max. and no condensation of water.



3.0 ELECTRICAL SPECIFICATIONS

3.1 Electrical Specifications

< Table 4. Electrical specifications >

[Ta = 25 ± 2 °C]

| Parameter | | Min. | Typ. | Max. | Unit | Remarks |
|---|--------------------|--------|------|------|------|--|
| Power Supply Voltage | V _{DD} | 4.5 | 5.0 | 5.5 | V | Note1 |
| Power Supply Current | I _{DD} | - | 800 | 1200 | mA | |
| In-Rush Current | I _{RUSH} | - | - | 3 | A | Note 2 |
| Permissible Input Ripple Voltage | V _{RF} | - | - | 300 | mV | V _{DD} = 5.0V |
| High Level Differential Input Threshold Voltage | V _{IH} | - | - | +100 | mV | |
| Low Level Differential Input Threshold Voltage | V _{IL} | -100 | - | - | mV | |
| Differential input voltage | V _{ID} | 200 | - | 600 | mV | |
| Differential input common mode voltage | V _{cm} | 1.0 | 1.2 | 1.5 | | V _{IH} =100mV, V _{IL} =-100mV |
| LED Voltage | V _L | 2.8 | 3.1 | 3.3 | V | |
| LED Channel Voltage | V _L | 53.2 | 58.9 | 62.7 | V | |
| LED Channel Current | I _L | 57 | 60 | 63 | mA | |
| LED Lifetime | | 30,000 | - | - | Hrs | I _L =60 mA |
| Power Consumption | P _D | - | 4 | 6.1 | W | |
| | P _{BL} | - | 14.1 | 15.0 | W | I _L =60mA, Note 3 |
| | P _{total} | - | 18.1 | 21.1 | W | |

Notes : 1. The supply voltage is measured and specified at the interface connector of LCM.

The current draw and power consumption specified is for VDD=5.0V, Frame rate=75Hz. Test Pattern of power supply current

- a) Typ : Color Bar pattern
- b) Max : Gray level 255 pattern

2. Duration of rush current is about 2 ms and rising time of VDD is 520 μs ± 20 %

3. Calculated value for reference (V_L × I_L) × 4(channel) excluding driver loss. (LED Light bar: 19S4P)

| Parameter | | Min. | Typ. | Max. | Unit | Remarks |
|---|------------------|--------|------|------|------|-----------|
| LED Light Bar Input Voltage Per Input Pin | V _{PIN} | 53.2 | 58.9 | 62.7 | V | Duty 100% |
| LED Light Bar Input Current Per Input Pin | I _{PIN} | 57 | 60 | 63 | mA | Note1,2, |
| LED Power Consumption | P _{BL} | - | 14.1 | 15.0 | W | Note 3 |
| LED Life-Time | - | 30,000 | - | | Hrs | Note 4 |

LED bar consists of 68LED packages,4 strings(parallel)*19packages(serial)

Note1: There are one light bar ,and the specified current is input LED chip 100% duty current

Note2: The sense current of each input pin is 60mA

Note3: $P_{BL}=4 \text{ Input pins} \times V_{PIN} \times I_{PIN}$

Note4: The lifetime is determined as the time at which luminance of LED become 50% of the initial brightness or not normal lighting at I_{PIN}=60mA on condition of continuous operating at 25 ± 2 °C

4.0 OPTICAL SPECIFICATION

4.1 Overview

The test of Optical specifications shall be measured in a dark room (ambient luminance ≤ 1 lux and temperature = $25 \pm 2^\circ\text{C}$) with the equipment of Luminance meter system (Goniometer system and TOPCONE PR730) and test unit shall be located at an approximate distance 50cm from the LCD surface at a viewing angle of θ and Φ equal to 0° . We refer to $\theta_{\theta=0}$ ($=\theta_3$) as the 3 o'clock direction (the "right"), $\theta_{\theta=90}$ ($=\theta_{12}$) as the 12 o'clock direction ("upward"), $\theta_{\theta=180}$ ($=\theta_9$) as the 9 o'clock direction ("left") and $\theta_{\theta=270}$ ($=\theta_6$) as the 6 o'clock direction ("bottom"). While scanning θ and/or Φ , the center of the measuring spot on the Display surface shall stay fixed. The measurement shall be executed after 30 minutes warm-up period. VDD shall be 5.0V +/-10% at 25°C . Optimum viewing angle direction is 6 'clock.

4.2 Optical Specifications

[VDD = 5.0V, Frame rate = 60Hz, Clock = 78MHz, $I_{BL} = 240\text{mA}$, $T_a = 25 \pm 2^\circ\text{C}$]

< Table 5. Module Optical >

| Parameter | | Symbol | Condition | Min. | Typ. | Max. | Unit | Remark |
|----------------------------|------------|---------------|--|-------|-------|-------|-----------------|--------|
| Viewing Angle range | Horizontal | Θ_3 | CR > 10 | 85 | 89 | - | Deg. | Note 1 |
| | | Θ_9 | | 85 | 89 | - | Deg. | |
| | Vertical | Θ_{12} | | 85 | 89 | - | Deg. | |
| | | Θ_6 | | 85 | 89 | - | Deg. | |
| Luminance Contrast ratio | | CR | $\Theta = 0^\circ$ (Center) Normal Viewing Angle | 700 | 1000 | - | | Note 2 |
| Luminance of White | | Y_w | | 208 | 250 | - | cd/m^2 | Note 3 |
| White luminance uniformity | | ΔY | | 75 | - | - | % | Note 4 |
| Reproduction of color | White | W_x | | 0.283 | 0.313 | 0.343 | | Note 5 |
| | | W_y | | 0.299 | 0.329 | 0.359 | | |
| | Red | R_x | | 0.619 | 0.649 | 0.679 | | |
| | | R_y | | 0.296 | 0.326 | 0.356 | | |
| | Green | G_x | 0.265 | 0.295 | 0.325 | | | |
| | | G_y | 0.594 | 0.624 | 0.654 | | | |
| Blue | B_x | 0.118 | 0.148 | 0.178 | | | | |
| | B_y | 0.034 | 0.064 | 0.094 | | | | |
| Response Time | GTG | T_g | | 14 | 21 | ms | Note 6 | |
| Cross Talk | | CT | | - | - | 2.0 | % | Note 7 |

Note :

- Viewing angle is the angle at which the contrast ratio is greater than 10. The viewing are determined for the horizontal or 3, 9 o'clock direction and the vertical or 6, 12 o'clock direction with respect to the optical axis which is normal to the LCD surface.
- Contrast measurements shall be made at viewing angle of $\theta = 0^\circ$ and at the center of the LCD surface. Luminance shall be measured with all pixels in the view field set first to white, then to the dark (black) state. (See FIGURE 1 shown in Appendix) Luminance Contrast Ratio (CR) is defined mathematically.

$$CR = \frac{\text{Luminance when displaying a white raster}}{\text{Luminance when displaying a black raster}}$$

- Center Luminance of white is defined as the LCD surface. Luminance shall be measured with all pixels in the view field set first to white. This measurement shall be taken at the locations shown in FIGURE 2 for a total of the measurements per display.
- The White luminance uniformity on LCD surface is then expressed as :
 $\Delta Y = (\text{Minimum Luminance of 9points} / \text{Maximum Luminance of 9points}) * 100$
 (See FIGURE 2 shown in Appendix).
- The color chromaticity coordinates specified in Table 5. shall be calculated from the spectral data measured with all pixels first in red, green, blue and white. Measurements shall be made at the center of the panel.
- Response time T_g is the average time required for display transition by switching the input signal as below table and is based on Frame rate $f_V = 60\text{Hz}$ to optimize. Each time in below table is defined as appendix Figure 3 and shall be measured by switching the input signal for "any level of gray(bright)" and "any level of gray(dark)".

| Measured Response Time | Target | | | | | | | | | | | | | | | | |
|------------------------|--------|----|----|----|----|----|----|-----|-----|-----|-----|-----|-----|-----|-----|-----|-----|
| | 0 | 15 | 31 | 47 | 63 | 79 | 95 | 111 | 127 | 143 | 159 | 175 | 191 | 207 | 223 | 239 | 255 |
| 0 | | | | | | | | | | | | | | | | | |
| 15 | | | | | | | | | | | | | | | | | |
| 31 | | | | | | | | | | | | | | | | | |
| 47 | | | | | | | | | | | | | | | | | |
| 63 | | | | | | | | | | | | | | | | | |
| 79 | | | | | | | | | | | | | | | | | |
| 95 | | | | | | | | | | | | | | | | | |
| 111 | | | | | | | | | | | | | | | | | |
| 127 | | | | | | | | | | | | | | | | | |
| 143 | | | | | | | | | | | | | | | | | |
| 159 | | | | | | | | | | | | | | | | | |
| 175 | | | | | | | | | | | | | | | | | |
| 191 | | | | | | | | | | | | | | | | | |
| 207 | | | | | | | | | | | | | | | | | |
| 223 | | | | | | | | | | | | | | | | | |
| 239 | | | | | | | | | | | | | | | | | |
| 255 | | | | | | | | | | | | | | | | | |

- Cross-Talk of one area of the LCD surface by another shall be measured by comparing the luminance (Y_A) of a 25mm diameter area, with all display pixels set to a gray level, to the luminance (Y_B) of that same area when any adjacent area is driven dark. (See FIGURE 4 shown in Appendix).

5.0 INTERFACE CONNECTION.

5.1 Electrical Interface Connection

5.1.1 LED Light Bar

-LED connector : BM06B-SHJS-TB manufactured by JST

< Table 6. LED Light Bar >

| Pin No | Symbol | Description |
|--------|--------|-------------------------------|
| 1 | IRLED1 | LED current sense for string1 |
| 2 | IRLED2 | LED current sense for string2 |
| 3 | VLED | LED power supply |
| 4 | VLED | LED power supply |
| 5 | IRLED3 | LED current sense for string3 |
| 6 | IRLED4 | LED current sense for string4 |

5.2 .1 Electrical Interface Connection

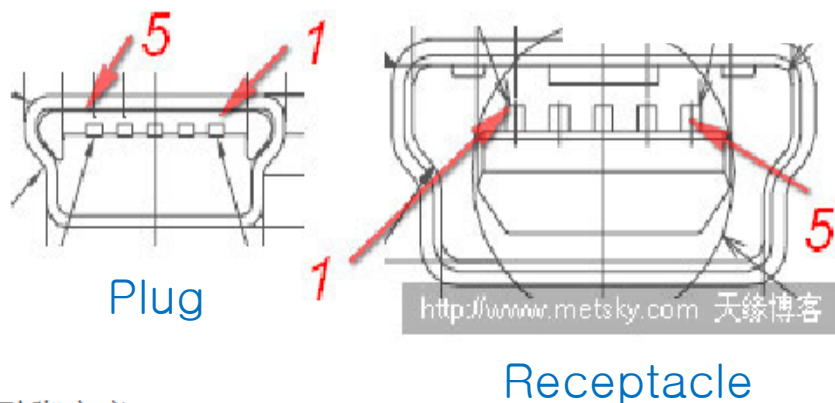
- CN1 Module Side Connector : UJU IS100-L300-C23 or Equivalent
 User Side Connector : DEREN FI-X30HL LVDS or Equivalent

| Pin No | Symbol | Function | Remark |
|--------|--------|--|------------------------|
| 1 | RX00- | Negative Transmission data of Pixel 0 (ODD) | |
| 2 | RX00+ | Positive Transmission data of Pixel 0 (ODD) | |
| 3 | RX01- | Negative Transmission data of Pixel 1 (ODD) | |
| 4 | RX01+ | Positive Transmission data of Pixel 1 (ODD) | |
| 5 | RX02- | Negative Transmission data of Pixel 2 (ODD) | |
| 6 | RX02+ | Positive Transmission data of Pixel 2 (ODD) | |
| 7 | GND | Power Ground | Optical: Bist function |
| 8 | RXOC- | Negative Transmission Clock (ODD) | |
| 9 | RXOC+ | Positive Transmission Clock (ODD) | |
| 10 | RX03- | Negative Transmission data of Pixel 3 (ODD) | |
| 11 | RX03+ | Positive Transmission data of Pixel 3 (ODD) | |
| 12 | RXE0- | Negative Transmission data of Pixel 0 (EVEN) | |
| 13 | RXE0+ | Positive Transmission data of Pixel 0 (EVEN) | |
| 14 | GND | Power Ground | |
| 15 | RXE1- | Negative Transmission data of Pixel 1 (EVEN) | |
| 16 | RXE1+ | Positive Transmission data of Pixel 1 (EVEN) | |
| 17 | GND | Power Ground | |
| 18 | RXE2- | Negative Transmission data of Pixel 2 (EVEN) | |
| 19 | RXE2+ | Positive Transmission data of Pixel 2 (EVEN) | |
| 20 | RXEC- | Negative Transmission Clock (EVEN) | |
| 21 | RXEC+ | Positive Transmission Clock (EVEN) | |
| 22 | RXE3- | Negative Transmission data of Pixel 3 (EVEN) | |
| 23 | RXE3+ | Positive Transmission data of Pixel 3 (EVEN) | |
| 24 | GND | Power Ground | Note1 |
| 25 | NC | Not connection, this pin should be open | |
| 26 | NC | Not connection, this pin should be open | |
| 27 | NC | Not connection | |
| 28 | VDD1 | Power Supply:+5V | |
| 29 | VDD2 | | |
| 30 | VDD3 | | |

Note 1 : This pin should be connected with GND

5.2.2 Electrical Interface Connection

- CN2



引脚定义:

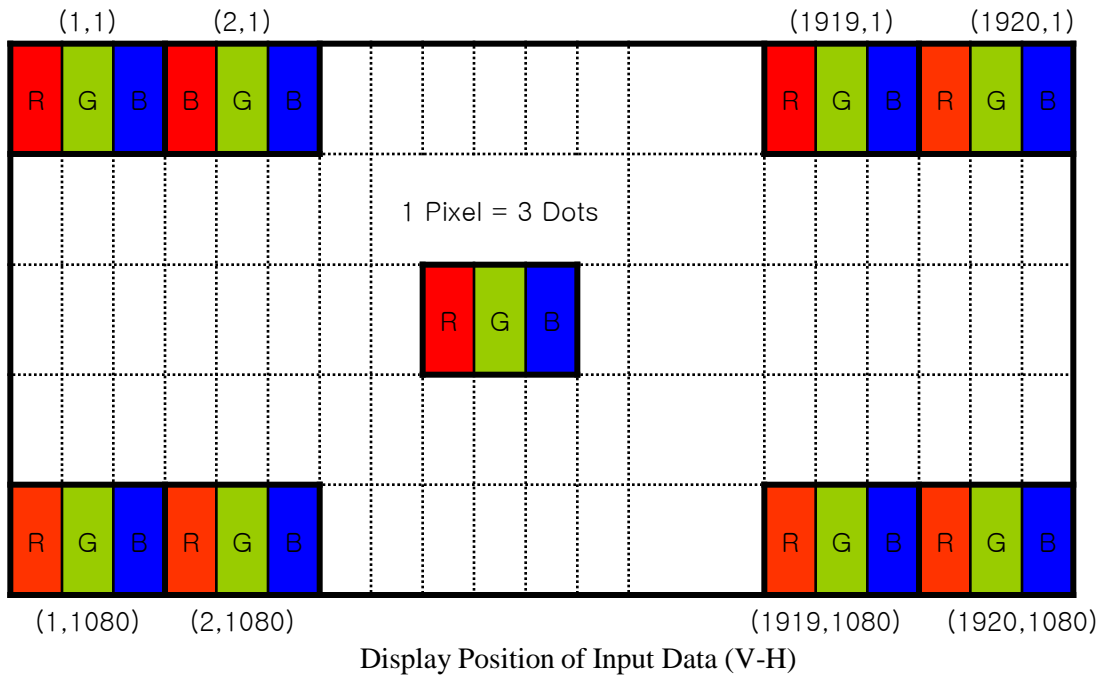
| 编号 | 定义 | 颜色识别 |
|----|------|--------------------|
| 1 | VBUS | Red(红色) |
| 2 | D- | White (白色) |
| 3 | D+ | Green(绿色) |
| 4 | ID | Not connected(未连接) |
| 5 | GND | Black(黑色) |

5.2 LVDS Interface (Tx; THC63LVDF83A or Equivalent)
5.2.1 ODD LVDS Interface

| | Input Signal | Transmitter | | Interface | | HR215WU1-120 (CN11) | Remark |
|-------------------------------------|--------------|-------------|----------------|----------------------|----------------------|---------------------|--------|
| | | Pin No. | Pin No. | System (Tx) | TFT-LCD (Rx) | Pin No. | |
| O D D L V D S | OR0 | 51 | 48 47 | OUT0- OUT0+ | RX00- RX00+ | 1 2 | |
| | OR1 | 52 | | | | | |
| | OR2 | 54 | | | | | |
| | OR3 | 55 | | | | | |
| | OR4 | 56 | | | | | |
| | OR5 | 3 | | | | | |
| | OG0 | 4 | 46 45 | OUT1- OUT1+ | RX01- RX01+ | 3 4 | |
| | OG1 | 6 | | | | | |
| | OG2 | 7 | | | | | |
| | OG3 | 11 | | | | | |
| | OG4 | 12 | | | | | |
| | OG5 | 14 | | | | | |
| | OB0 | 15 | 42 41 | OUT2- OUT2+ | RX02- RX02+ | 5 6 | |
| | OB1 | 19 | | | | | |
| | OB2 | 20 | | | | | |
| | OB3 | 22 | | | | | |
| | OB4 | 23 | | | | | |
| | OB5 | 24 | | | | | |
| | Hsync | 27 | 40 39 | CLK OUT- CLK OUT+ | RXO CLK- RXO CLK+ | 8 9 | |
| | Vsync | 28 | | | | | |
| DE | 30 | | | | | | |
| MCLK | 31 | 38 37 | OUT3- OUT3+ | RX03- RX03+ | 10 11 | | |
| OR6 | 50 | | | | | | |
| OR7 | 2 | | | | | | |
| OG6 | 8 | | | | | | |
| OG7 | 10 | | | | | | |
| OB6 | 16 | | | | | | |
| OB7 | 18 | | | | | | |
| RSVD | 25 | | | | | | |

Note: The order of even data is same with old data.

5.2 Data Input Format



5.3 Back-light Interface Connection

-LED connector : BM06B-SHJS-TB manufactured by JST

| Pin | Function |
|-----|----------------------------|
| 1 | Channel 1 Current Feedback |
| 2 | Channel 2 Current Feedback |
| 3 | LED Power Supply |
| 4 | LED Power Supply |
| 5 | Channel3 Current Feedback |
| 6 | Channel4 Current Feedback |

6.0 SIGNAL TIMING SPECIFICATION

6.1 The MV215FHM-A10 is operated by the DE only.

| Item | Symbols | | Min | Typ | Max | Unit | Note |
|---------------------|---------------------------------|------|-------|-------|-------|------|------|
| DCLK | Period | tCLK | 10.76 | 13.46 | 16.15 | ns | |
| | Frequency | - | 57.42 | 74.32 | 93.57 | MHz | |
| Hsync | Period | tHP | 1060 | 1100 | 1200 | tCLK | |
| | Horizontal Valid | tHV | 960 | 960 | 960 | tCLK | |
| | Horizontal Blank | tHB | 90 | 140 | 160 | | |
| | Frequency | fH | 64 | 67 | 83 | KHz | |
| | Width | tWH | 16 | 32 | 48 | tCLK | |
| | Horizontal Back Porch | tHBP | 32 | 48 | 64 | | |
| | Horizontal Front Porch | tHFP | 42 | 60 | 40 | | |
| Vsync | Period | tVP | 1091 | 1125 | 1251 | tHP | |
| | Vertical Valid | tVV | 1080 | 1080 | 1080 | tHP | |
| | Vertical Blank | tVB | 30 | 45 | 171 | tHP | |
| | Frequency | fV | 50 | 60 | 75 | Hz | |
| | Width | tWV | 2 | 4 | 16 | tHP | |
| | Vertical Back Porch | tVBP | 5 | 8 | 32 | | |
| | Vertical Front Porch | tVFP | 23 | 33 | 123 | | |
| LVDS Receiver clock | Input spread SSr spectrum ratio | | -3 | - | +3 | % | |

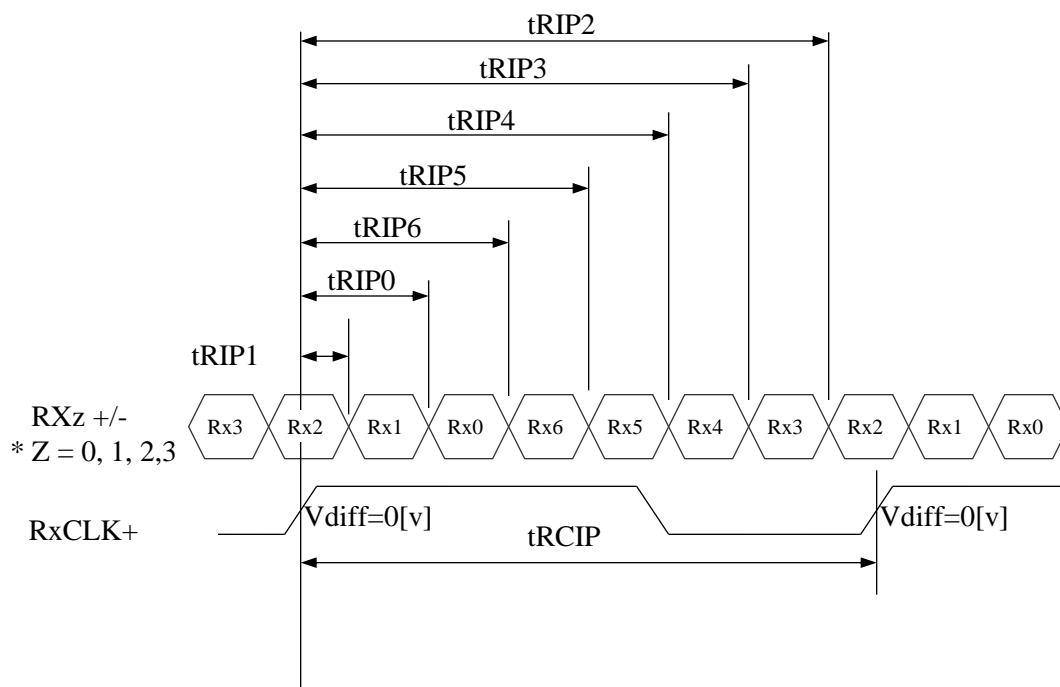
Note: The DCLK range at last line of V-blanking should be set in 0~987

6.2 LVDS Rx Interface Timing Parameter

The specification of the LVDS Rx interface timing parameter is shown in Table 4.

<Table 4. LVDS Rx Interface Timing Specification>

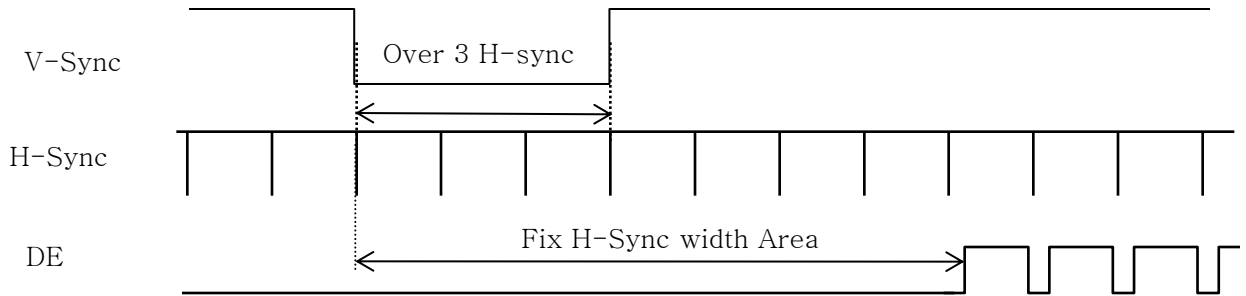
| Item | Symbol | Min | Typ | Max | Unit | Remark |
|--------------|--------|-----------------|-------------|-----------------|------|--------|
| CLKIN Period | tRCIP | 10.76 | 13.46 | 16.15 | nsec | |
| Input Data 0 | tRIP1 | -0.4 | 0.0 | +0.4 | nsec | |
| Input Data 1 | tRIP0 | tRCIP/7-0.4 | tRCIP/7 | tRCIP/7+0.4 | nsec | |
| Input Data 2 | tRIP6 | 2 × tRCIP/7-0.4 | 2 × tRCIP/7 | 2 × tRCIP/7+0.4 | nsec | |
| Input Data 3 | tRIP5 | 3 × tRCIP/7-0.4 | 3 × tRCIP/7 | 3 × tRCIP/7+0.4 | nsec | |
| Input Data 4 | tRIP4 | 4 × tRCIP/7-0.4 | 4 × tRCIP/7 | 4 × tRCIP/7+0.4 | nsec | |
| Input Data 5 | tRIP3 | 5 × tRCIP/7-0.4 | 5 × tRCIP/7 | 5 × tRCIP/7+0.4 | nsec | |
| Input Data 6 | tRIP2 | 6 × tRCIP/7-0.4 | 6 × tRCIP/7 | 6 × tRCIP/7+0.4 | nsec | |



* $V_{diff} = (RX_{z+}) - (RX_{z-}), \dots, (RX_{CLK+}) - (RX_{CLK-})$

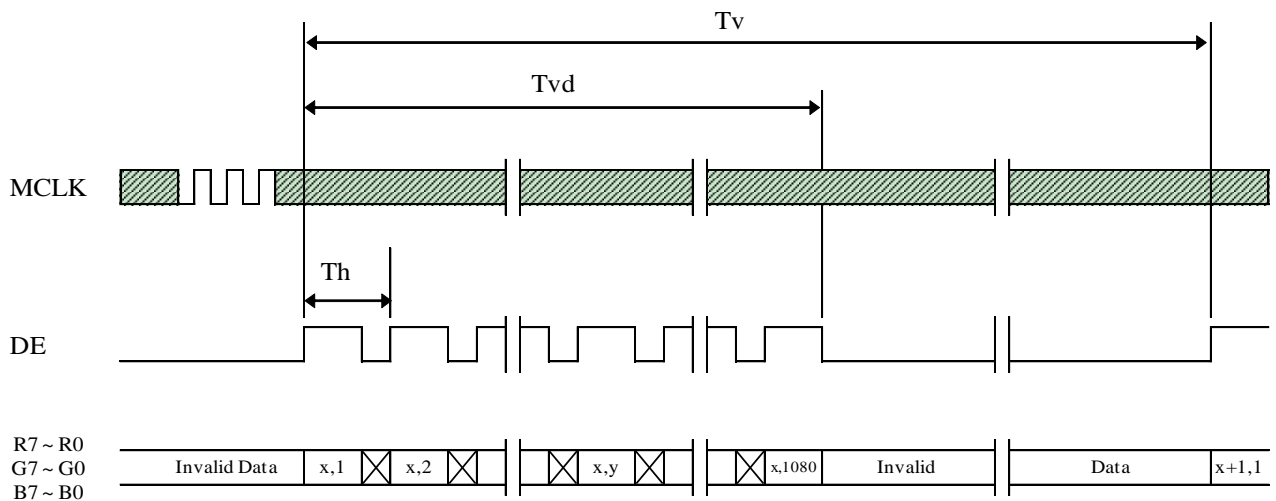
7.0 SIGNAL TIMING WAVEFORMS OF INTERFACE SIGNAL

7.1 Sync Timing Waveforms

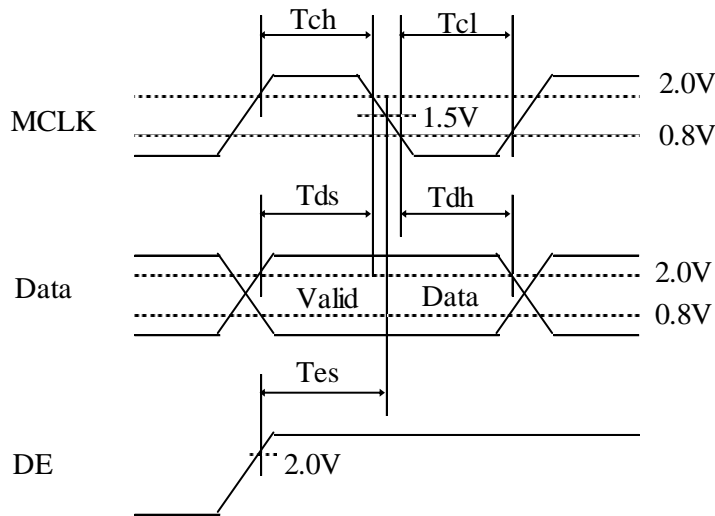
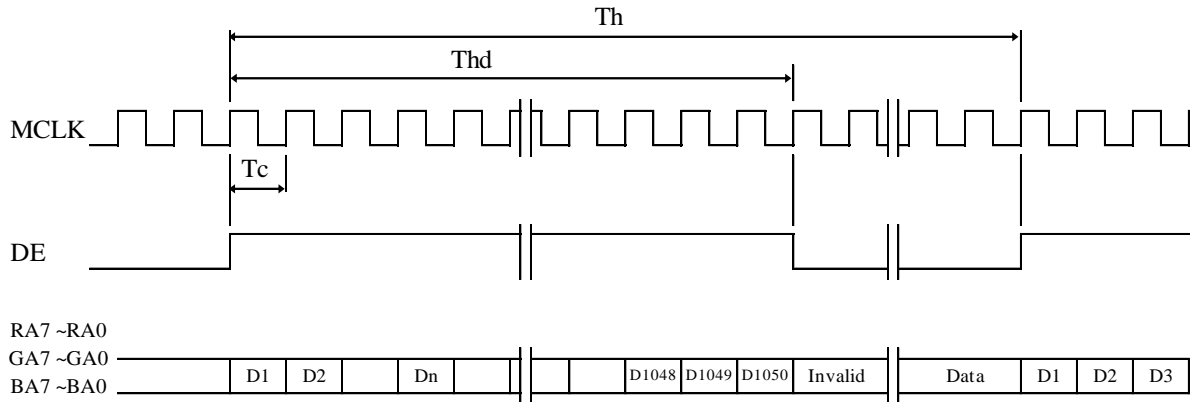


- 1) Need over 3 H-sync during V-Sync Low
- 2) Fix H-Sync width from V-Sync falling edge to first rising edge

7.2 Vertical Timing Waveforms



7.3 Horizontal Timing Waveforms

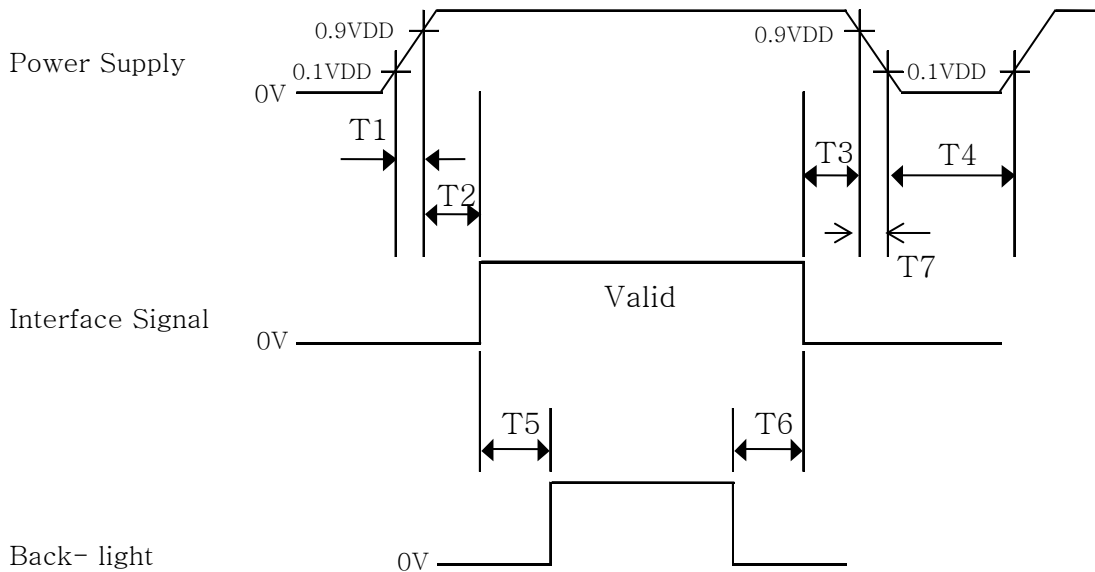


8.0 INPUT SIGNALS, BASIC DISPLAY COLORS & GRAY SCALE OF COLORS

| Color & Gray Scale | | RED DATA | | | | | | | | GREEN DATA | | | | | | | | BLUE DATA | | | | | | | |
|---------------------|----------|----------|----|----|----|----|----|----|----|------------|----|----|----|----|----|----|----|-----------|----|----|----|----|----|----|----|
| | | R7 | R6 | R5 | R4 | R3 | R2 | R1 | R0 | G7 | G6 | G5 | G4 | G3 | G2 | G1 | G0 | B7 | B6 | B5 | B4 | B3 | B2 | B1 | B0 |
| Basic Colors | Black | 0 | 0 | 0 | 0 | 0 | 0 | 0 | 0 | 0 | 0 | 0 | 0 | 0 | 0 | 0 | 0 | 0 | 0 | 0 | 0 | 0 | 0 | 0 | 0 |
| | Blue | 0 | 0 | 0 | 0 | 0 | 0 | 0 | 0 | 0 | 0 | 0 | 0 | 0 | 0 | 0 | 0 | 1 | 1 | 1 | 1 | 1 | 1 | 1 | 1 |
| | Green | 0 | 0 | 0 | 0 | 0 | 0 | 0 | 0 | 1 | 1 | 1 | 1 | 1 | 1 | 1 | 1 | 0 | 0 | 0 | 0 | 0 | 0 | 0 | 0 |
| | Cyan | 0 | 0 | 0 | 0 | 0 | 0 | 0 | 0 | 1 | 1 | 1 | 1 | 1 | 1 | 1 | 1 | 1 | 1 | 1 | 1 | 1 | 1 | 1 | 1 |
| | Red | 1 | 1 | 1 | 1 | 1 | 1 | 1 | 1 | 0 | 0 | 0 | 0 | 0 | 0 | 0 | 0 | 0 | 0 | 0 | 0 | 0 | 0 | 0 | 0 |
| | Magenta | 1 | 1 | 1 | 1 | 1 | 1 | 1 | 1 | 0 | 0 | 0 | 0 | 0 | 0 | 0 | 0 | 1 | 1 | 1 | 1 | 1 | 1 | 1 | 1 |
| | Yellow | 1 | 1 | 1 | 1 | 1 | 1 | 1 | 1 | 1 | 1 | 1 | 1 | 1 | 1 | 1 | 1 | 0 | 0 | 0 | 0 | 0 | 0 | 0 | 0 |
| | White | 1 | 1 | 1 | 1 | 1 | 1 | 1 | 1 | 1 | 1 | 1 | 1 | 1 | 1 | 1 | 1 | 1 | 1 | 1 | 1 | 1 | 1 | 1 | 1 |
| Gray Scale of RED | Black | 0 | 0 | 0 | 0 | 0 | 0 | 0 | 0 | 0 | 0 | 0 | 0 | 0 | 0 | 0 | 0 | 0 | 0 | 0 | 0 | 0 | 0 | 0 | 0 |
| | △ | 0 | 0 | 0 | 0 | 0 | 0 | 0 | 1 | 0 | 0 | 0 | 0 | 0 | 0 | 0 | 0 | 0 | 0 | 0 | 0 | 0 | 0 | 0 | 0 |
| | Darker | 0 | 0 | 0 | 0 | 0 | 0 | 1 | 0 | 0 | 0 | 0 | 0 | 0 | 0 | 0 | 0 | 0 | 0 | 0 | 0 | 0 | 0 | 0 | 0 |
| | △ | ↑ | | | | | | | | ↑ | | | | | | | | ↑ | | | | | | | |
| | ▽ | ↓ | | | | | | | | ↓ | | | | | | | | ↓ | | | | | | | |
| | Brighter | 1 | 1 | 1 | 1 | 1 | 1 | 0 | 1 | 0 | 0 | 0 | 0 | 0 | 0 | 0 | 0 | 0 | 0 | 0 | 0 | 0 | 0 | 0 | 0 |
| | ▽ | 1 | 1 | 1 | 1 | 1 | 1 | 1 | 0 | 0 | 0 | 0 | 0 | 0 | 0 | 0 | 0 | 0 | 0 | 0 | 0 | 0 | 0 | 0 | 0 |
| | Red | 1 | 1 | 1 | 1 | 1 | 1 | 1 | 1 | 0 | 0 | 0 | 0 | 0 | 0 | 0 | 0 | 0 | 0 | 0 | 0 | 0 | 0 | 0 | 0 |
| Gray Scale of GREEN | Black | 0 | 0 | 0 | 0 | 0 | 0 | 0 | 0 | 0 | 0 | 0 | 0 | 0 | 0 | 0 | 0 | 0 | 0 | 0 | 0 | 0 | 0 | 0 | 0 |
| | △ | 0 | 0 | 0 | 0 | 0 | 0 | 0 | 0 | 0 | 0 | 0 | 0 | 0 | 0 | 0 | 1 | 0 | 0 | 0 | 0 | 0 | 0 | 0 | 0 |
| | Darker | 0 | 0 | 0 | 0 | 0 | 0 | 0 | 0 | 0 | 0 | 0 | 0 | 0 | 0 | 1 | 0 | 0 | 0 | 0 | 0 | 0 | 0 | 0 | 0 |
| | △ | ↑ | | | | | | | | ↑ | | | | | | | | ↑ | | | | | | | |
| | ▽ | ↓ | | | | | | | | ↓ | | | | | | | | ↓ | | | | | | | |
| | Brighter | 0 | 0 | 0 | 0 | 0 | 0 | 0 | 0 | 1 | 1 | 1 | 1 | 1 | 1 | 0 | 1 | 0 | 0 | 0 | 0 | 0 | 0 | 0 | 0 |
| | ▽ | 0 | 0 | 0 | 0 | 0 | 0 | 0 | 0 | 1 | 1 | 1 | 1 | 1 | 1 | 1 | 0 | 0 | 0 | 0 | 0 | 0 | 0 | 0 | 0 |
| | Green | 0 | 0 | 0 | 0 | 0 | 0 | 0 | 0 | 1 | 1 | 1 | 1 | 1 | 1 | 1 | 1 | 0 | 0 | 0 | 0 | 0 | 0 | 0 | 0 |
| Gray Scale of BLUE | Black | 0 | 0 | 0 | 0 | 0 | 0 | 0 | 0 | 0 | 0 | 0 | 0 | 0 | 0 | 0 | 0 | 0 | 0 | 0 | 0 | 0 | 0 | 0 | 0 |
| | △ | 0 | 0 | 0 | 0 | 0 | 0 | 0 | 0 | 0 | 0 | 0 | 0 | 0 | 0 | 0 | 0 | 0 | 0 | 0 | 0 | 0 | 0 | 0 | 1 |
| | Darker | 0 | 0 | 0 | 0 | 0 | 0 | 0 | 0 | 0 | 0 | 0 | 0 | 0 | 0 | 0 | 0 | 0 | 0 | 0 | 0 | 0 | 0 | 0 | 1 |
| | △ | ↑ | | | | | | | | ↑ | | | | | | | | ↑ | | | | | | | |
| | ▽ | ↓ | | | | | | | | ↓ | | | | | | | | ↓ | | | | | | | |
| | Brighter | 0 | 0 | 0 | 0 | 0 | 0 | 0 | 0 | 0 | 0 | 0 | 0 | 0 | 0 | 0 | 0 | 1 | 1 | 1 | 1 | 1 | 1 | 0 | 1 |
| | ▽ | 0 | 0 | 0 | 0 | 0 | 0 | 0 | 0 | 0 | 0 | 0 | 0 | 0 | 0 | 0 | 0 | 1 | 1 | 1 | 1 | 1 | 1 | 1 | 0 |
| | Blue | 0 | 0 | 0 | 0 | 0 | 0 | 0 | 0 | 0 | 0 | 0 | 0 | 0 | 0 | 0 | 0 | 1 | 1 | 1 | 1 | 1 | 1 | 1 | 1 |
| Gray Scale of WHITE | Black | 0 | 0 | 0 | 0 | 0 | 0 | 0 | 0 | 0 | 0 | 0 | 0 | 0 | 0 | 0 | 0 | 0 | 0 | 0 | 0 | 0 | 0 | 0 | 0 |
| | △ | 0 | 0 | 0 | 0 | 0 | 0 | 0 | 1 | 0 | 0 | 0 | 0 | 0 | 0 | 0 | 1 | 0 | 0 | 0 | 0 | 0 | 0 | 0 | 1 |
| | Darker | 0 | 0 | 0 | 0 | 0 | 0 | 1 | 0 | 0 | 0 | 0 | 0 | 0 | 0 | 1 | 0 | 0 | 0 | 0 | 0 | 0 | 0 | 0 | 1 |
| | △ | ↑ | | | | | | | | ↑ | | | | | | | | ↑ | | | | | | | |
| | ▽ | ↓ | | | | | | | | ↓ | | | | | | | | ↓ | | | | | | | |
| | Brighter | 1 | 1 | 1 | 1 | 1 | 1 | 0 | 1 | 1 | 1 | 1 | 1 | 1 | 1 | 0 | 1 | 1 | 1 | 1 | 1 | 1 | 1 | 0 | 1 |
| | ▽ | 1 | 1 | 1 | 1 | 1 | 1 | 1 | 0 | 1 | 1 | 1 | 1 | 1 | 1 | 1 | 0 | 1 | 1 | 1 | 1 | 1 | 1 | 1 | 0 |
| | White | 1 | 1 | 1 | 1 | 1 | 1 | 1 | 1 | 1 | 1 | 1 | 1 | 1 | 1 | 1 | 1 | 1 | 1 | 1 | 1 | 1 | 1 | 1 | 1 |

9.0 POWER SEQUENCE

To prevent a latch-up or DC operation of the LCD module, the power on/off sequence shall be as shown in below



- $0.5 \text{ ms} \leq T1 \leq 10 \text{ ms}$
- $0 \leq T2 \leq 50 \text{ ms}$
- $0 \leq T3 \leq 50 \text{ ms}$
- $1 \text{ sec} \leq T4$
- $200 \text{ ms} \leq T5$
- $200 \text{ ms} \leq T6$

Notes:

1. When the power supply VDD is 0V, keep the level of input signals on the low or keep high impedance.
2. Do not keep the interface signal high impedance when power is on.
3. Back Light must be turn on after power for logic and interface signal are valid.
4. T7 decreases smoothly, there is none re-bouncing voltage.

10.0 MECHANICAL CHARACTERISTICS

10.1 Dimensional Requirements

FIGURE 6 (located in Appendix) shows mechanical outlines for the model MV215FHM-A10
Other parameters are shown in Table 6.

<Table 6. Dimensional Parameters>

| Parameter | Specification | Unit |
|---------------------|--|--------|
| Dimensional outline | 485.3(H) × 285.3(V) × 13.4(D) typ | mm |
| Weight | 2.16(Typ.) (without touch) | Kg |
| Active area | 476.64(H) × 268.11(V) | mm |
| Pixel pitch | 0.24825(H) x 0.24825(V) | mm |
| Number of pixels | 1920(H) × 1080(V) (1 pixel = R + G + B dots) | pixels |
| Back-light | Lower side 1-LED Light bar Type | |

10.2 Mounting

See FIGURE 5. (shown in Appendix)

10.3 Semi-Glare and Polarizer Hardness.

The surface of the LCD has an Anti-glare coating to reduce reflection and a coating to reduce scratching.

10.4 Light Leakage

There shall not be visible light from the back-lighting system around the edges of the screen as seen from a distance 50cm from the screen with an overhead light level of 250lux.

11.0 RELIABILITY TEST

The Reliability test items and its conditions are shown in below.

<Table 7. Reliability Test Parameters >

| No | Test Items | Conditions |
|----|---|--|
| 1 | High temperature storage test | Ta = 60 °C, 240 hrs |
| 2 | Low temperature storage test | Ta = -20 °C, 240 hrs |
| 3 | High temperature & high humidity operation test | Ta = 50 °C, 80%RH, 240hrs |
| 4 | High temperature operation test | Ta = 50 °C, 240hrs |
| 5 | Low temperature operation test | Ta = 0 °C, 240hrs |
| 6 | Thermal shock | Ta = -20 °C ↔ 60 °C (0.5 hr), 100 cycle |
| 7 | Vibration test (non-operating) | Frequency 10 ~ 300 Hz, Sweep rate 30 min Gravity / AMP 1.5 G Period X, Y, Z 30 min |
| 8 | Shock test (non-operating) | Gravity 50G |
| | | Pulse width 11msec, sine wave |
| | | Direction ± X, ± Y, ± Z Once for each |
| 9 | Electro-static discharge test (operating) | Air : 150 pF, 330Ω, 15 KV Contact : 150 pF, 330Ω, 8 KV |
| 10 | Altitude test | Non Operating: 40000 ft, -10°C / 24 Hr, 25°C / 24 Hr, -10°C / 24 Hr |
| | | Operating: 15000 ft, 0°C / 24 Hr, 25°C / 24 Hr, 50°C / 24 Hr |

12.0 HANDLING & CAUTIONS

- (1) Cautions when taking out the module
 - Pick the pouch only, when taking out module from a shipping package.
- (2) Cautions for handling the module
 - As the electrostatic discharges may break the LCD module, handle the LCD module with care. Peel a protection sheet off from the LCD panel surface as slowly as possible.
 - As the LCD panel and back - light element are made from fragile glass material, impulse and pressure to the LCD module should be avoided.
 - As the surface of the polarizer is very soft and easily scratched, use a soft dry cloth without chemicals for cleaning.
 - Do not pull the interface connector in or out while the LCD module is operating.
 - Put the module display side down on a flat horizontal plane.
 - Handle connectors and cables with care.
- (3) Cautions for the operation
 - When the module is operating, do not lose CLK, ENAB signals. If any one of these signals is lost, the LCD panel would be damaged.
 - Obey the supply voltage sequence. If wrong sequence is applied, the module would be damaged.
- (4) Cautions for the atmosphere
 - Dew drop atmosphere should be avoided.
 - Do not store and/or operate the LCD module in a high temperature and/or humidity atmosphere. Storage in an electro-conductive polymer packing pouch and under relatively low temperature atmosphere is recommended.
- (5) Cautions for the module characteristics
 - Do not apply fixed pattern data signal to the LCD module at product aging.
 - Applying fixed pattern for a long time may cause image sticking.
- (6) Other cautions
 - Do not disassemble and/or re-assemble LCD module.
 - Do not re-adjust variable resistor or switch etc.
 - When returning the module for repair or etc., Please pack the module not to be broken. We recommend to use the original shipping packages.

13.0 PRODUCT SERIAL NUMBER

MV215FHM-A10



XXXXXXXXXXXXXXXXXXXXXXXX



- 1. Control Number
- 2. Rank / Grade
- 3. Line Classification
- 4. Year (2001 : 01, 2002 : 02, ...)

- 5. Month (1,2,3, ... , 9, X, Y, Z)
- 6. Internal Use
- 7. Serial Number

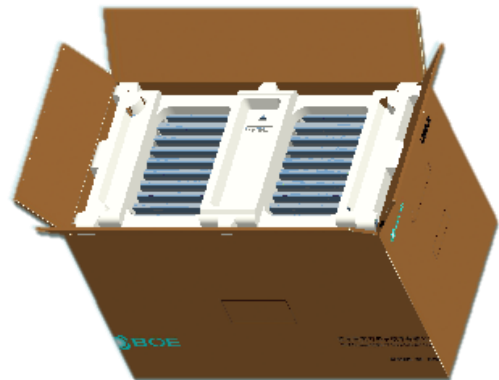
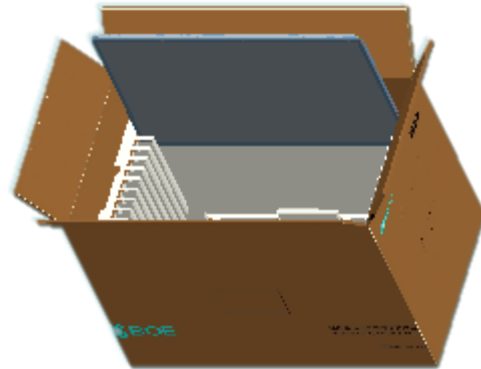
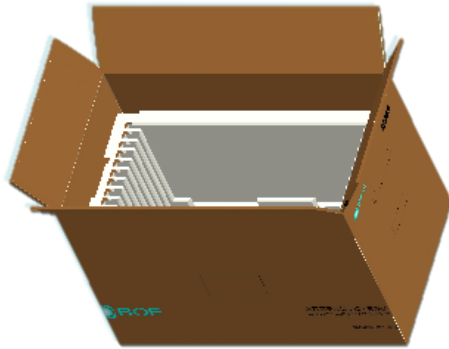
14.0 Packing

27

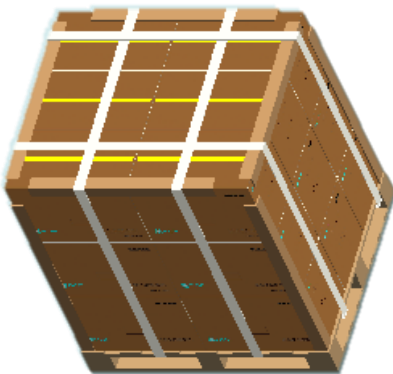
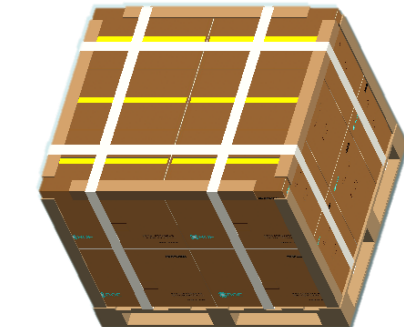
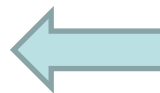
14.1 Packing Order

-Put 1Pcs EPO Bottom into the box

-Put each module into a PE bag
-Put 10Pcs MDL into the box



-Put 1 Pcs EPO cover in and seal the box.



-Put the boxes on the Pallet

12boxes/Pallet:6boxes per layer, total 2 layers

18boxes/Pallet:6Boxes per layer, total 3 layers

-Place paper corners and wrap film around the boxes

-Pack with 4 packing belts

14.3 Packing Specification and Note

| Item | Specification | | | Remark |
|----------------|---------------|-------------------------------------|-----------------------------|-------------------------|
| | Q'ty | Dimension(mm) | Weight (kg) | |
| Panel | 1 | 485.3(H) × 285.3(V) × 13.4(D) typ.. | 2.16(Typ.) Without touch | - |
| Box | 1 | 562(L)×318(W)×384 (H) | 1 | without Panel & cushion |
| Packing Box | 10pcs/Box | 562(L)×318(W)×384 (H) | 24 | with panel & cushion |
| Pallet | 1 | 1140(L)×980(W)×130(H) | 19 | - |
| Packing Pallet | 12Box/Pallet | 1140(H)×980(H)×903H) | 311 | - |

14.3 Box label

- Label Size : 108 mm (L) × 56 mm (W)
- Contents
 Model : MV215FHM-A10
 Q`ty : Module Q`ty in one box
 Serial No. : Box Serial No. See next page for detail description.
 Date : Packing Date
 FG Code : FG Code of Product


MODEL : MV215FHM-A10 Q'TY : 10
SERIAL NO. : 0000000000000 DATE : 20XX.X.XX

• QAA0330000268 •

(5940)



(QA)

| | | | | | |
|------|-------|------|-------|-----------|-----------|
| 00 | 0 | 00 | 0 | 0 | 000000 |
| Type | Grade | Year | Month | ITEM-CODE | Serial_no |

Internal Use

RoHS Mark

15.0 APPENDIX

Figure 1. Measurement Set Up

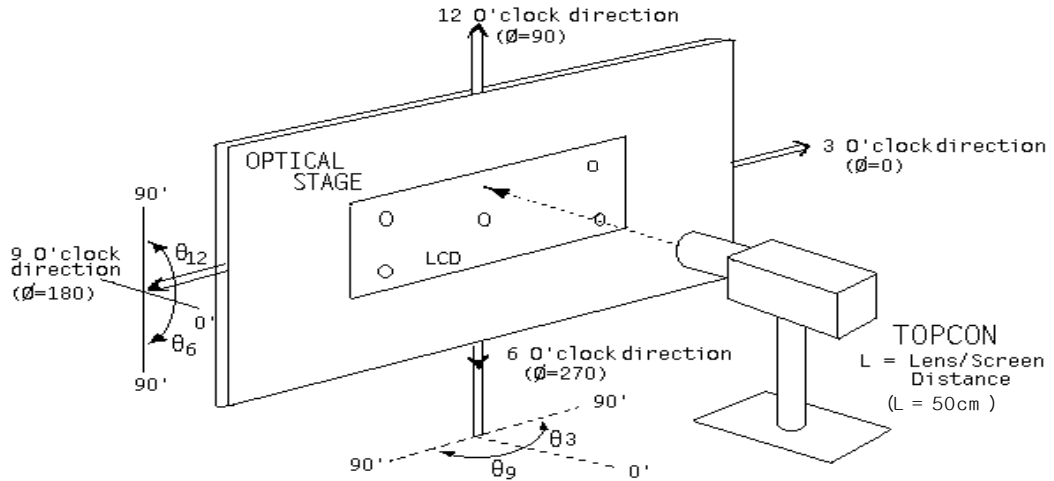


Figure 2. White Luminance and Uniformity Measurement Locations (9 points)

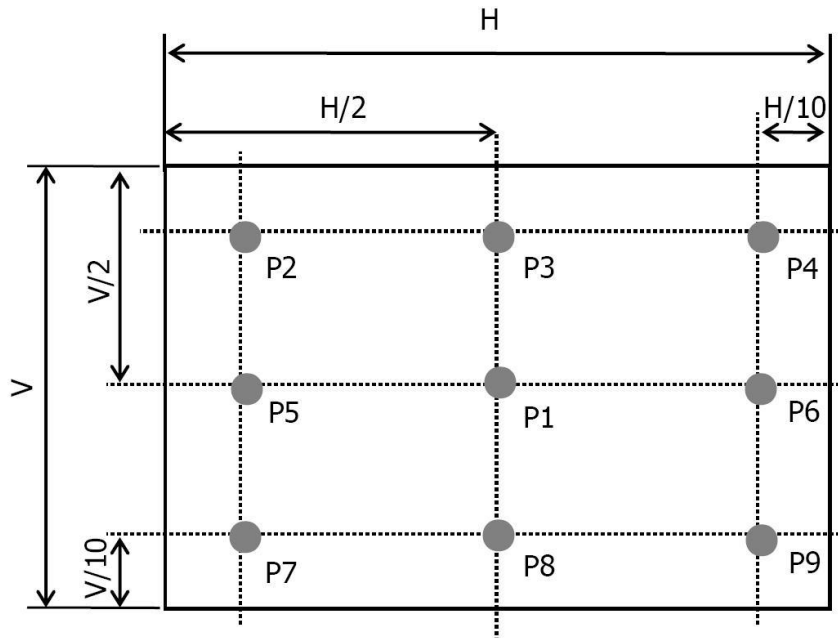
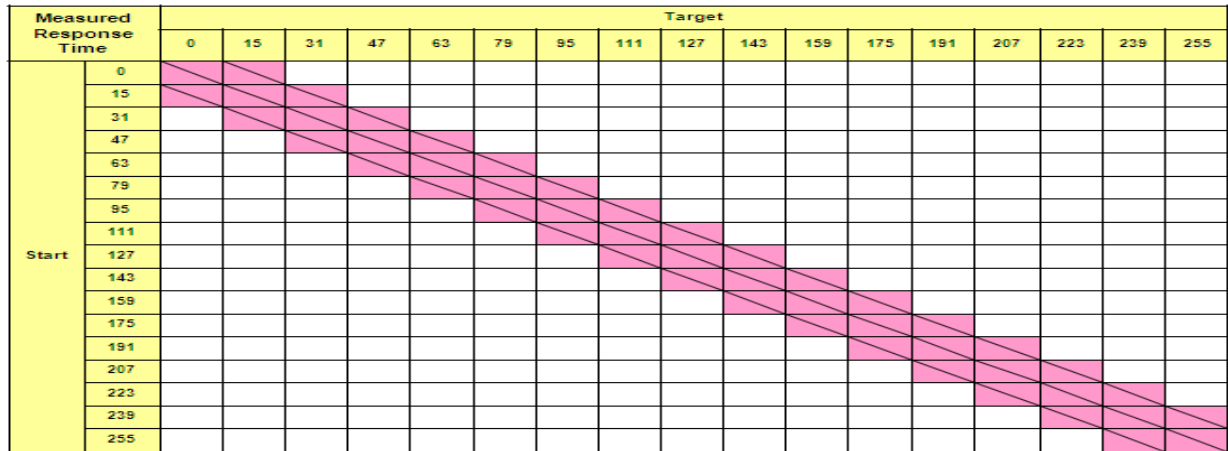
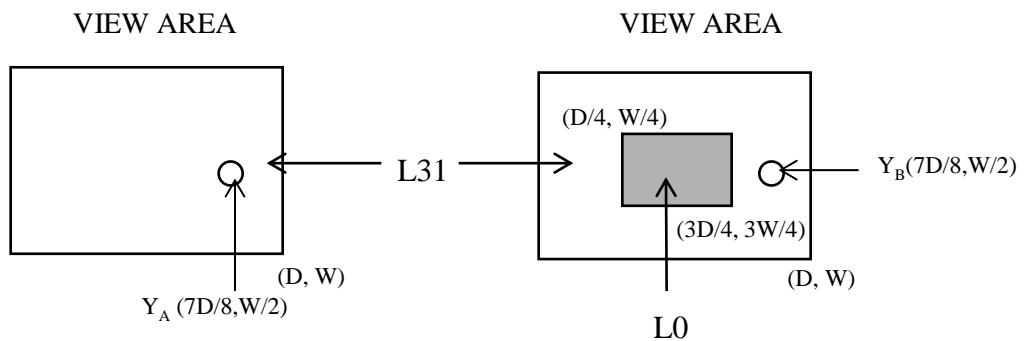


Figure 3. Response Time Testing

Figure 4. Cross Modulation Test Description


$$\text{Cross-Talk (\%)} = \left| \frac{Y_B - Y_A}{Y_A} \right| \times 100$$

Where: Y_A = Initial luminance of measured area (cd/m^2)

Y_B = Subsequent luminance of measured area (cd/m^2)

The location measured will be exactly the same in both patterns

Figure 5. TFT-LCD Module Outline Dimensions (Front view)

31

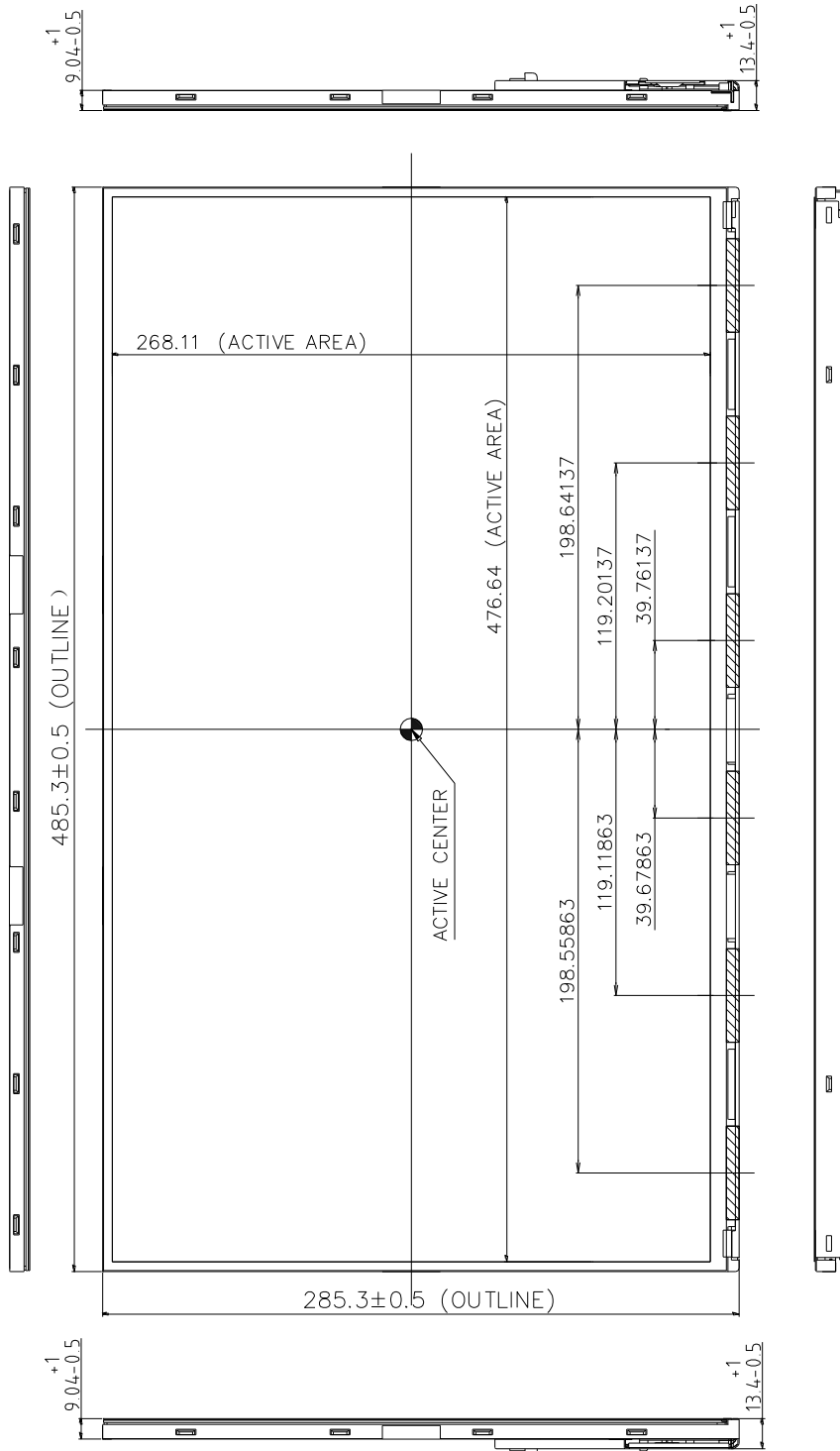
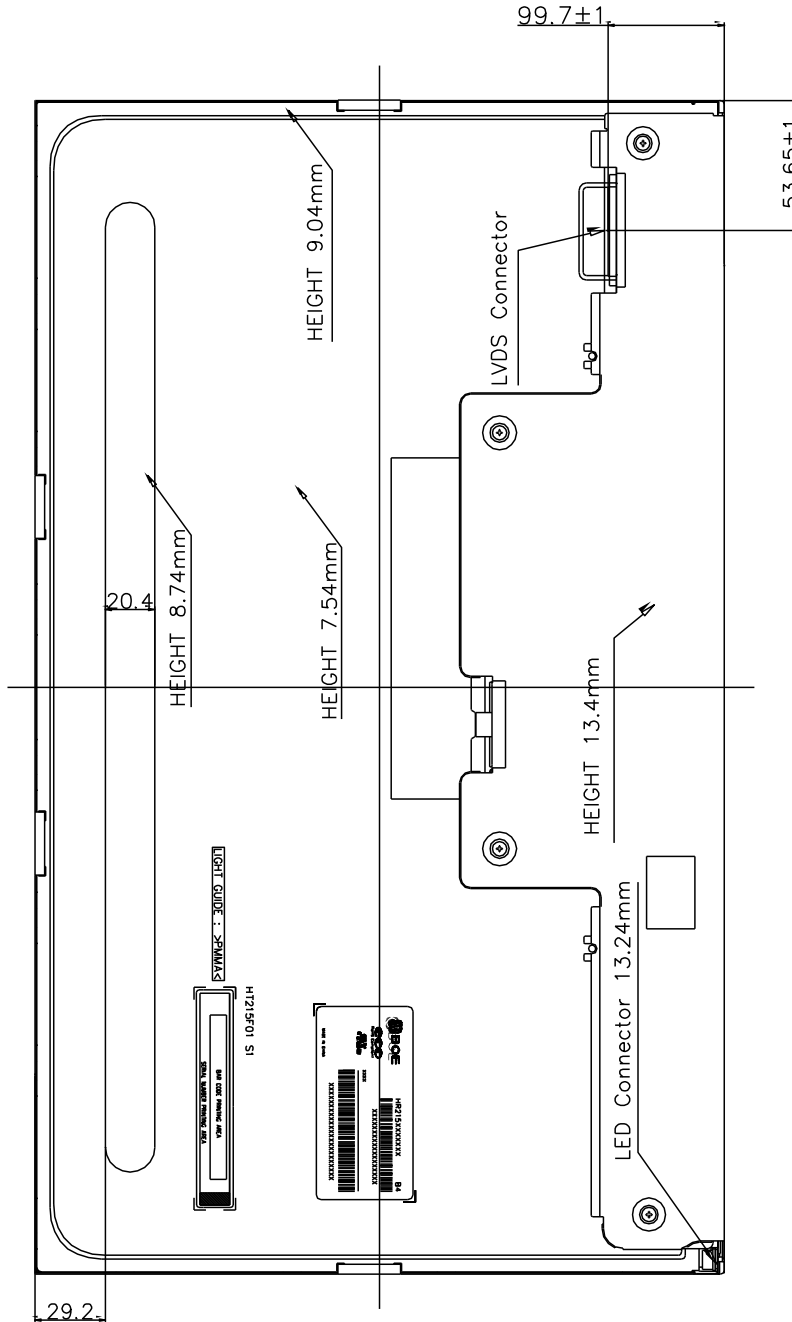


Figure 5. TFT-LCD Module Outline Dimensions



NOTE

1. I/F CONNECTOR SPECIFICATION
FI-XB30SSL-HF15 (JAE) or IS100-L300-C23 (UJU)
2. LED CONNECTOR SPECIFICATION
BM06B-SHJS(HF) or Equivalent
3. USER MOUNTING TORQUE SPEC : 3~4 kgf-cm