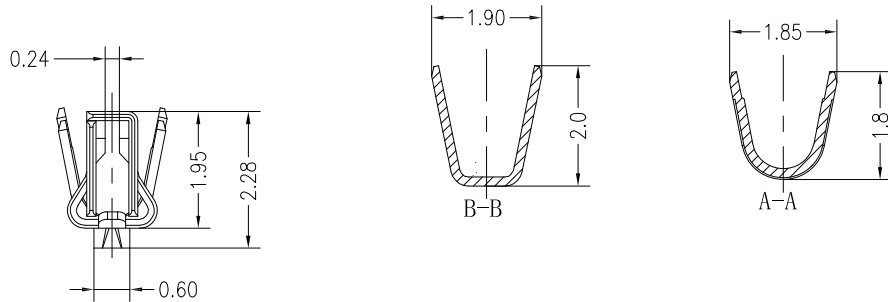
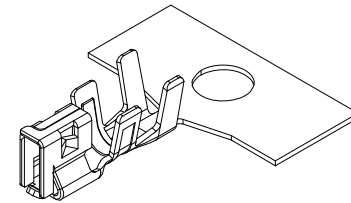
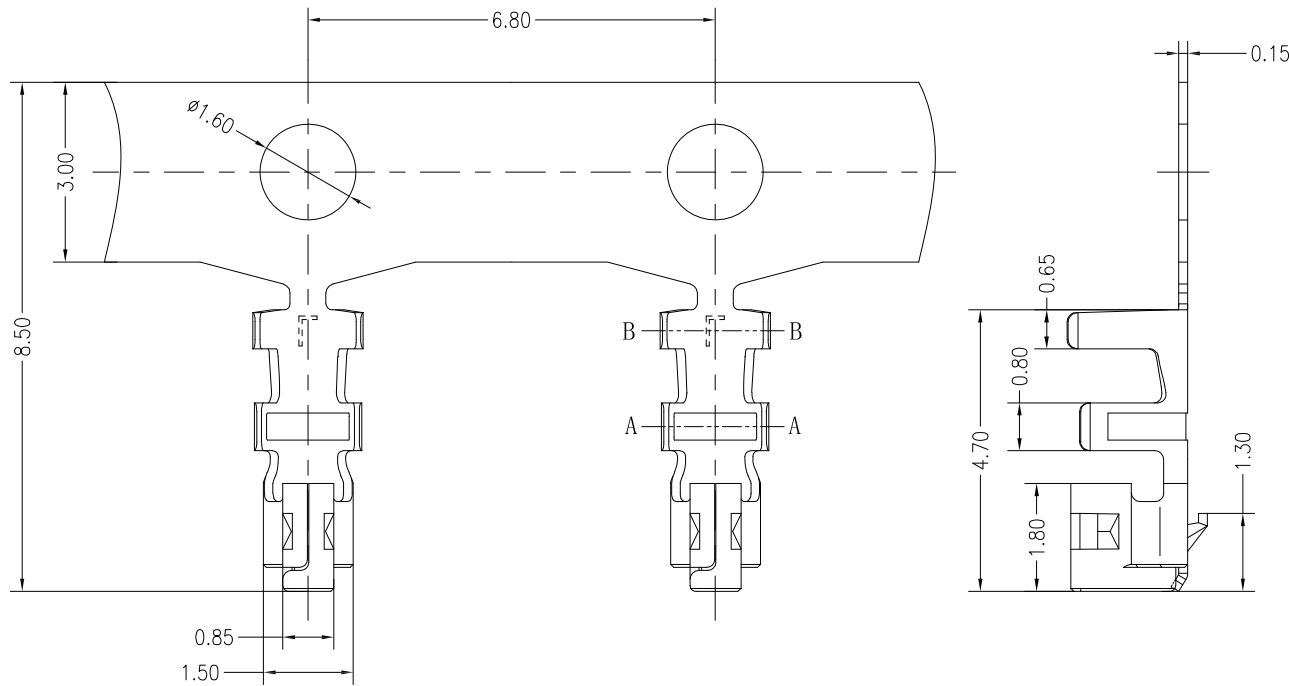


REV.	LOCAS.	DESCRIPTION	DATE	DRAWN
A	NEW	INTERIM INITIAL RELEASE.	2021.10.28	张汝楼

Specifications  
 Material: Phosphor Bronze  
 Wire Range: AWG#22~#26  
 Insulation Range:  $\phi 1.4$  max  
 Tsurface or terminal should be smooth to smooth and without burr and crack.  
 Matching Housing: GWF191-HA1  
 All materials must meet Greenconn hazardous substances control standards.



### Ordering Information

GRF141 - 02 XX XX

Standard Plating  
 01=Tin

Materials  
 AB=Phosphor bronze  
 .....



Website: www.greenconn.com  
 E-mail: sales@greenconn.com

REV.	UNIT.	SCALE.	PAGE.
A	mm	1:1	1/1

3RD.ANG  
 PROJ.  
  
 PAGE. 1/1

#### GENERAL TOLERANCE

X. $\pm$ 5'	X. $\pm$ 0.5
.X. $\pm$ 2'	.X $\pm$ 0.3
.XX $\pm$ 1'	.XX $\pm$ 0.25
.XXX $\pm$ '	.XXX $\pm$ '

DESIGNED: 张汝楼

DATE: 2021.10.28

CHECKED:

DATE:

APPROVED:

DATE:

DWG. NO.

GRF141-T2

PART NO.

GRF141-02XXAB

TITLE.

2.00mm PITCH Terminal