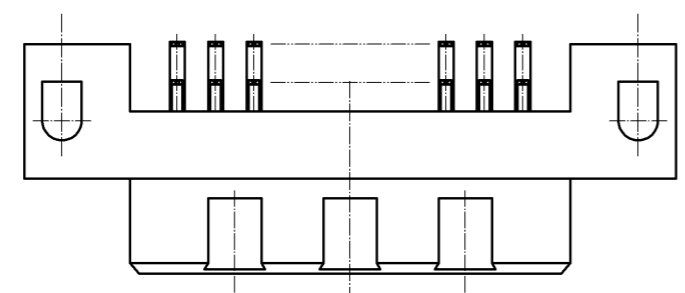
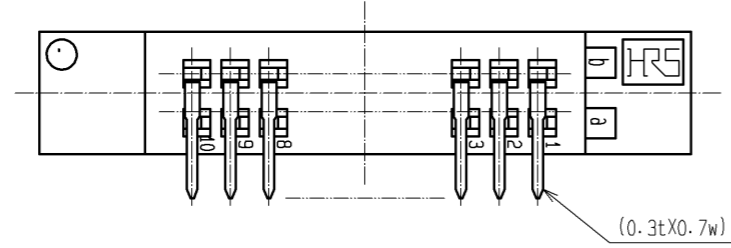
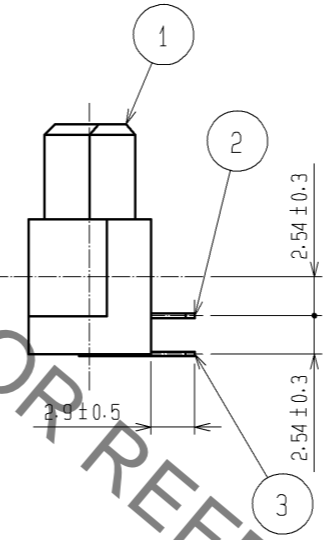
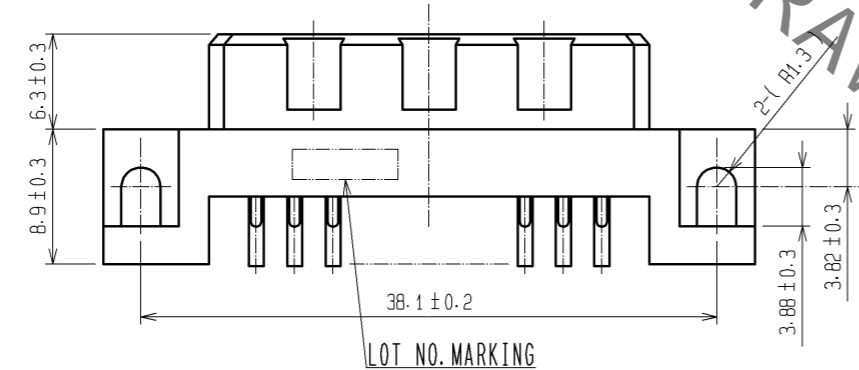
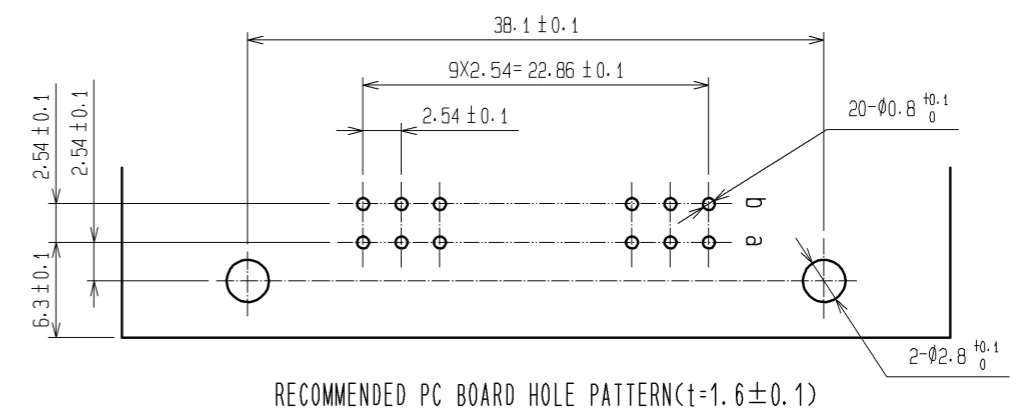
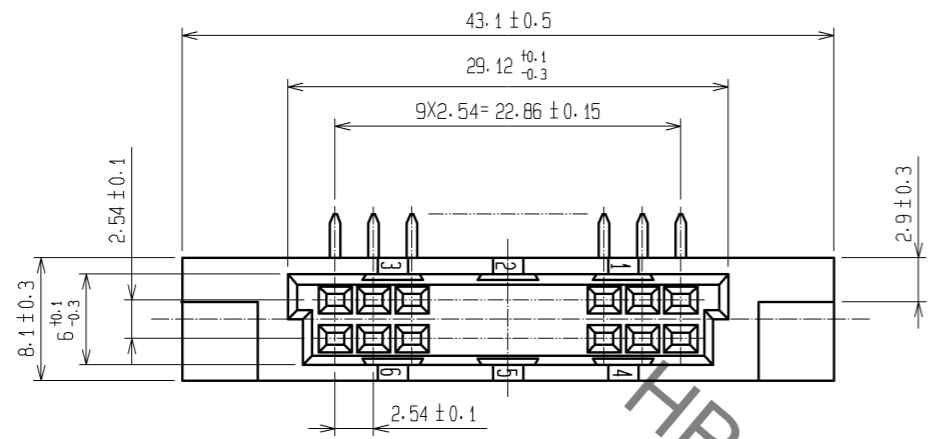


Mar.1.2020 Copyright 2020 HIROSE ELECTRIC CO., LTD. All Rights Reserved.
In case of consideration for using Automotive equipment / device which demand high reliability, kindly contact our sales window correspondents.



HRS DRAWING FOR REFERENCE

1	PBT	GRAY UL94V-0	2, 3	COPPER ALLOY	CONTACT AREA : Ni1µm+Au0.2µm DIP AREA : Ni1µm+Sn1µm			
NO.	MATERIAL	FINISH . REMARKS	NO.	MATERIAL	FINISH . REMARKS			
UNITS mm		SCALE ? : 1		COUNT △	DESCRIPTION OF REVISIONS	DESIGNED	CHECKED	DATE
HRS HIROSE ELECTRIC CO., LTD.		APPROVED : HS. OKAWA	11.09.27	DRAWING NO. EDC3-019779-02				
		CHECKED : NH. SUGITA	11.09.27	PART NO. PCN10C-20S-2.54DS(72)				
		DESIGNED : KJ. NISHIWAKI	11.09.27	CODE NO. CL583-0201-0-72				
		DRAWN : CR. TAKESHIMA	11.09.26					