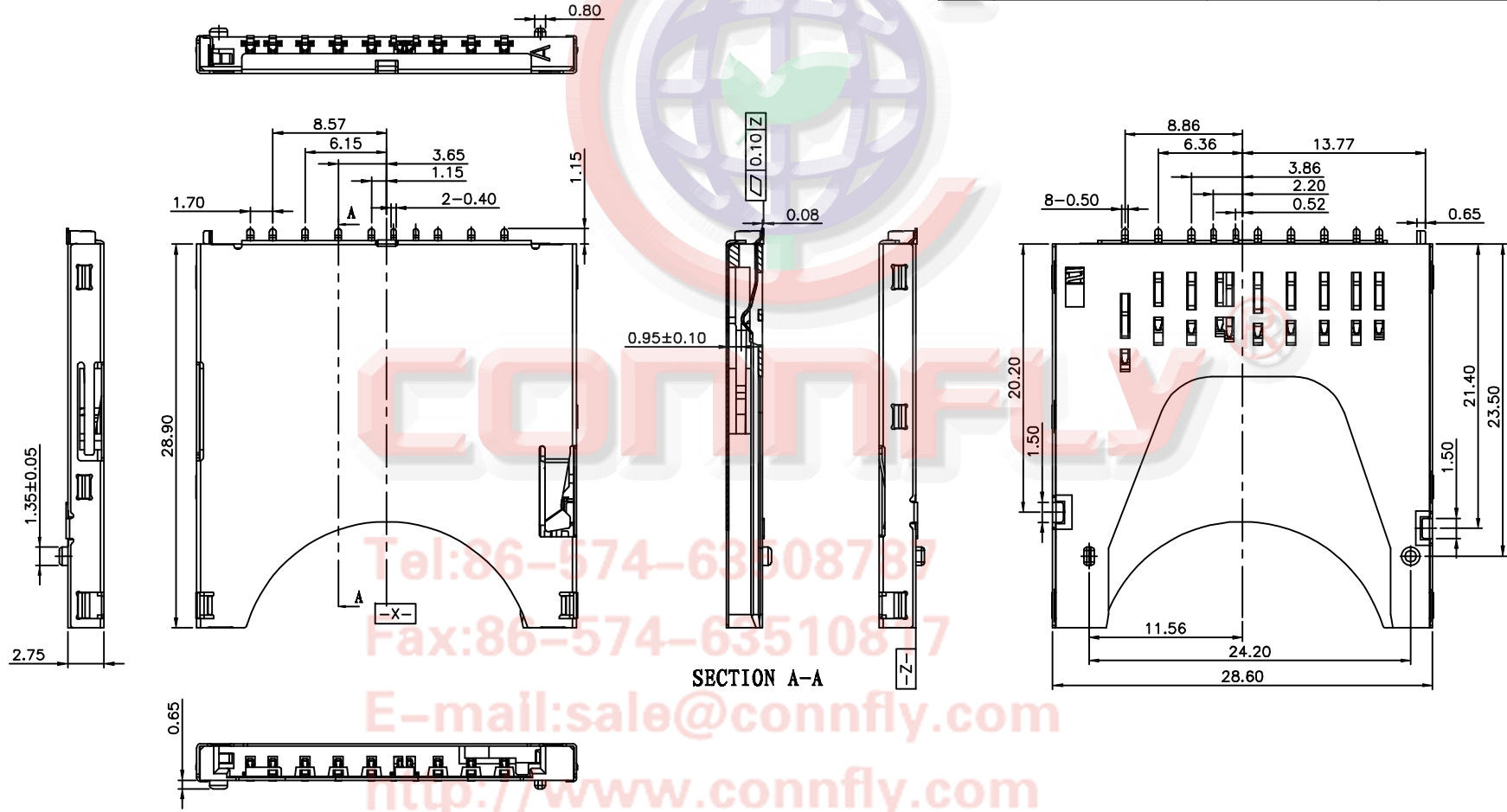
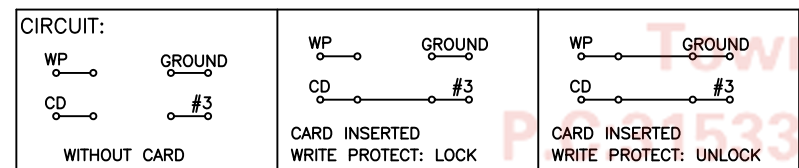


REV.	DESCRIPTION	DRAWN	CHECKED	APPROVED
A	NEW RELEASE	JLZ 10/14/14'		LJC 10/14/14'
B	DRAWING UPDATE	JLZ 05/03/17'		



SECTION A-A


Tel: 86-574-63508787
 Fax: 86-574-63510877
 E-mail: sale@connfly.com
 http://www.connfly.com
 Add: East Industry Zone KuangYan
 Town Cixi Ningbo China
 P: 0574-5333



GENERAL TOLERANCE	ANGLE TOLERANCE
X. ±0.60	X. ±5°
.X ±0.38	.X ±3°
.XX ±0.25	.XX ±2°

PROJECTION	TITLE	SD CARD PUSH-PUSH POST ϕ 1.35mm H=2.75MM	
UNITS mm	SHEET SIZE A4	SERIES DS1139-01	SERIES

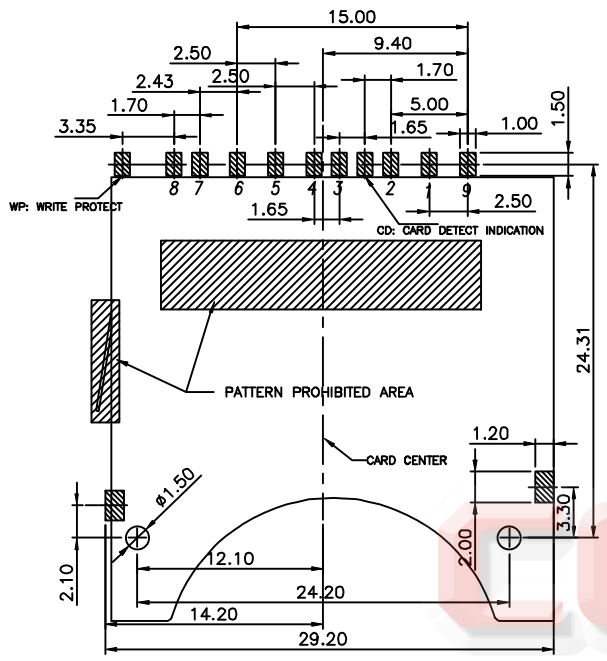
DRAWING TYPE	CUSTOMER
SCALE 1:1	SHEET 1 OF 3
DRAWING NO. C-DS1139-01-XXXXXX-B	

 **晨翔电子有限公司**
CONNFLY® CONNFLY ELECTRONIC CO., LTD

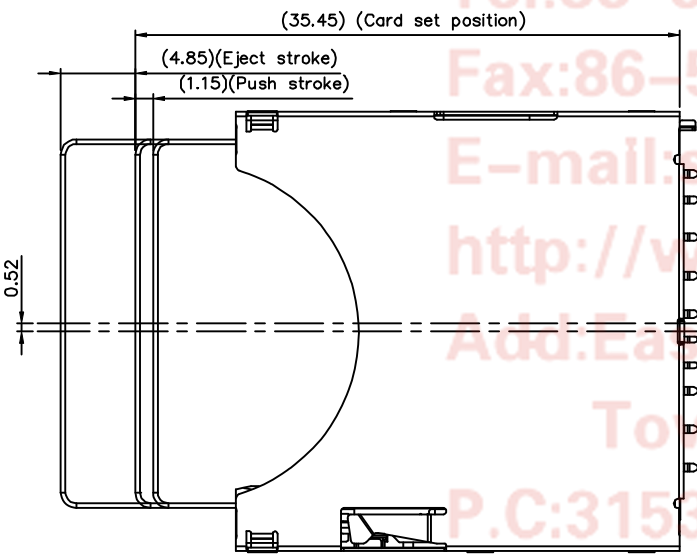
REV.	DESCRIPTION	DRAWN	CHECKED	APPROVED
A	NEW RELEASE	JLZ 10/14/14'		LJC 10/14/14'
B	DRAWING UPDATE	JLZ 05/03/17'		

- Notes:
- Material:
 - Insulator: High Temperature LCP UL94V-0 Color of Black.
 - Contacts: Copper Alloy.
 - Shell: Stainless Steel.
 - Finsh:
 - Solder Area: Matte Tin.
 - Contact Area: Gold Over Nickel.
 - Specifications:
 - Operate Temperature: $-40^{\circ}\text{C} \sim +85^{\circ}\text{C}$
 - Insulation Resistance: 1000M Ω Min.
 - Contact Resistance: 100m Ω max.
 - Withstanding Voltage: 500V AC 1min.
 - Operating Voltage: 30V AC/DC.
 - Current Rating: 0.5A
 - Product Number Code:
DS1139-01 - XX X X X X X X

	PIN NO.	SD	MMC
P1	MMC-DAT3 SD-CD/DAT3	1P	1P
P2	MMC-CMD SD-CMD	2P	2P
P3	MMC-VSS1 SD-VSS1	3P	3P
P4	MMC-VDD SD-VDD	4P	4P
P5	MMC-CLK SD-CLK	5P	5P
P6	MMC-VSS2 SD-VSS2	6P	6P
P7	MMC-DAT0 SD-DAT0	7P	7P
P8	SD-DAT1	8P	
P9	SD-DAT2	9P	



RECOMMENDED PCB LAYOUT
(ALL TOLERANCE ARE ± 0.05)



- Packing Type
R: Tape On Reel
- Shell Plating
S: Stainless
- Housing color
B: Black
- Contact Plating
0: Selective gold flash
4: Selective 3u" gold
J: Selective 5u" gold
1: Selective 10u" gold
- Mounting type
S: SMT type
- Connector type
S: Socket
- No. of contacts
09:9pin

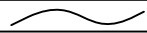
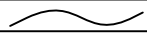
Tel:86-574-63508787
 Fax:86-574-63510817
 E-mail:sale@connfly.com
 http://www.connfly.com
 Add:East Industry Zone KuangYan
 Town Cixi Ningbo China
 P.C:315333

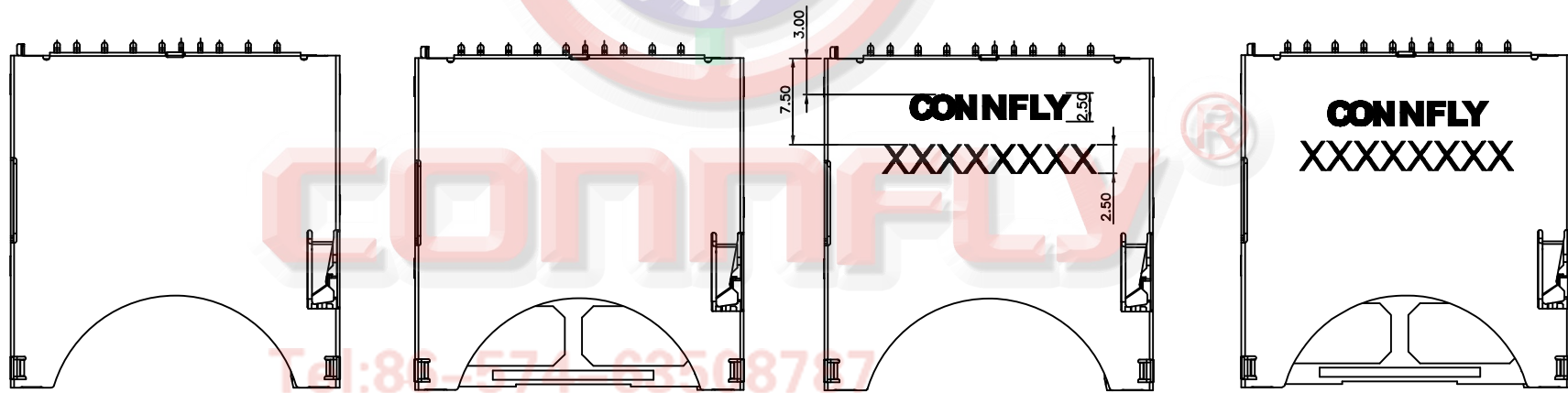
GENERAL TOLERANCE	ANGLE TOLERANCE
X. ± 0.60	X. $\pm 5^{\circ}$
.X ± 0.38	.X $\pm 3^{\circ}$
.XX ± 0.25	.XX $\pm 2^{\circ}$

PROJECTION	TITLE	SD CARD PUSH-PUSH POST $\phi 1.35\text{mm}$ H=2.75MM
UNITS	mm	
SHEET SIZE	A4	SERIES DS1139-01 SERIES

DRAWING TYPE	CUSTOMER
SCALE	1:1 SHEET 2 OF 3
DRAWING NO.	C-DS1139-01-XXXXXX-B

晨翔电子有限公司
CONNFLY® CONNFLY ELECTRONIC CO., LTD

REV.	DESCRIPTION	DRAWN	CHECKED	APPROVED
A	NEW RELEASE	JLZ 10/14/14'		LJC 10/14/14'
B	DRAWING UPDATE	JLZ 05/03/17'		



普通型

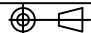

带假卡

喷码

带假卡+喷码

NOTES: XXXXXX: Year Month Day, e.g. Oct 14th, 2014,
jet printing 20141014

Fax:86-574-63510817
E-mail:sale@connfly.com
http://www.connfly.com
Add:East Industry Zone KuangYan
Town Cixi Ningbo China
P.C:315333

GENERAL TOLERANCE		ANGLE TOLERANCE		PROJECTION		TITLE	SD CARD PUSH-PUSH POST ϕ 1.35mm H=2.75MM			
X.	± 0.60	X.	$\pm 5'$	UNITS	mm					
.X	± 0.38	.X	$\pm 3'$	SHEET SIZE	A4	SERIES	DS1139-01 SERIES			
.XX	± 0.25	.XX	$\pm 2'$							
DRAWING TYPE		CUSTOMER				晨翔电子有限公司 CONNFLY® CONNFLY ELECTRONIC CO., LTD				
SCALE		1:1	SHEET						3 OF 3	
DRAWING NO.		C-DS1139-01-XXXXXX-B								