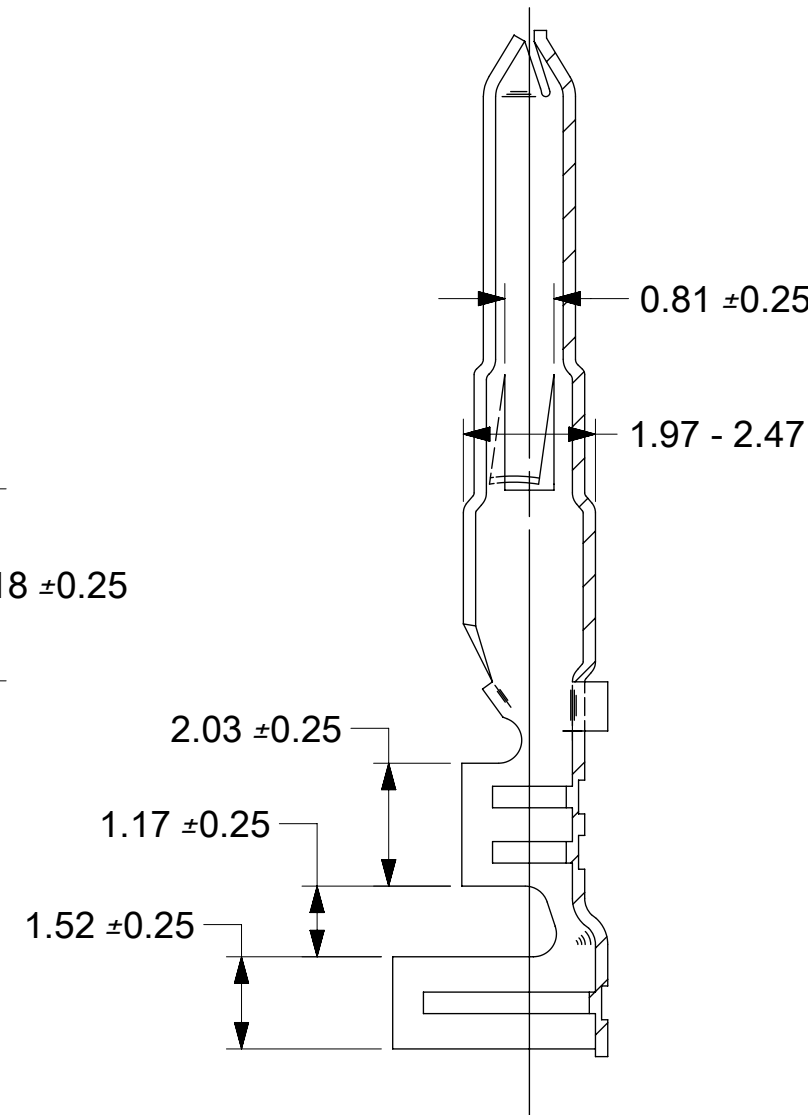
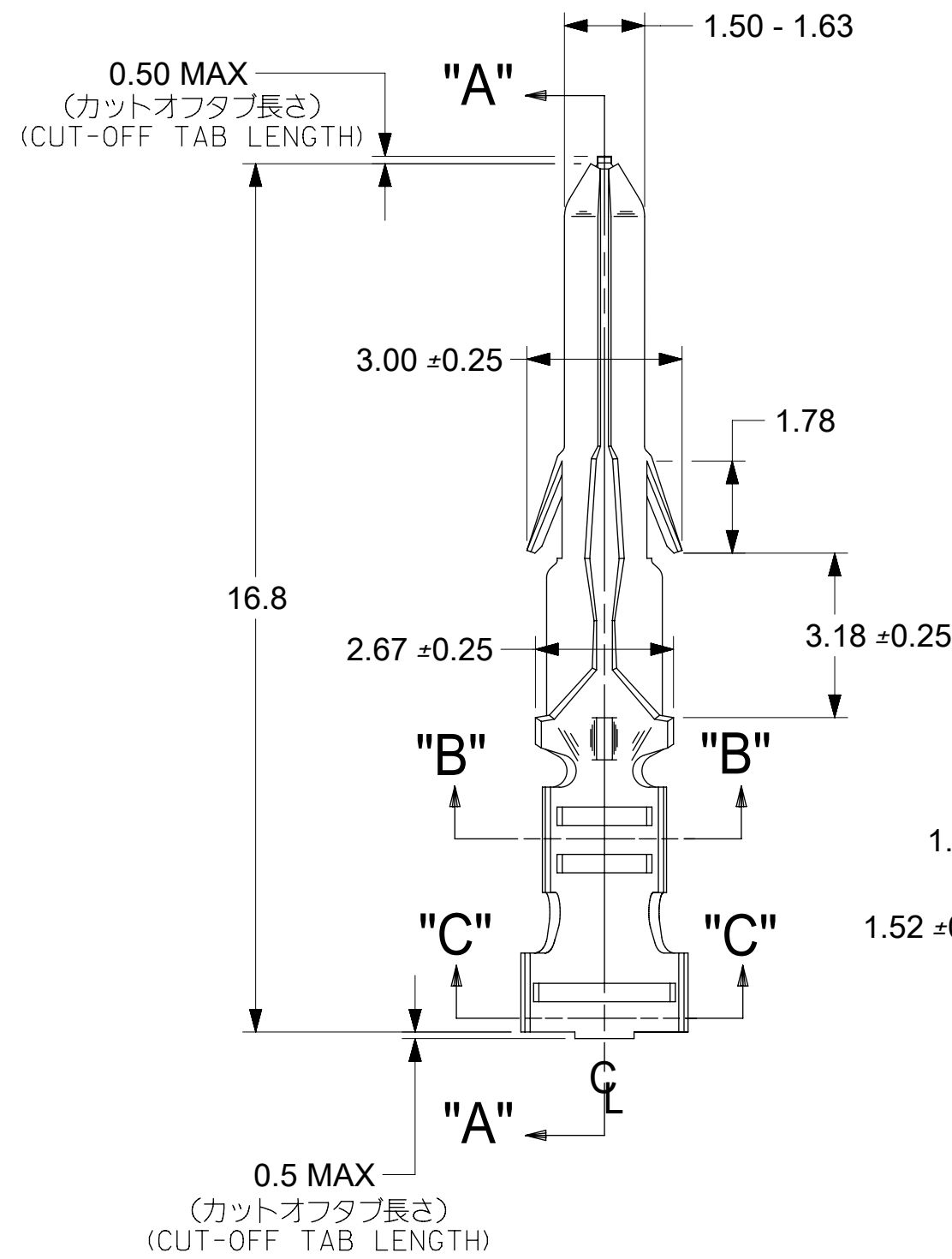
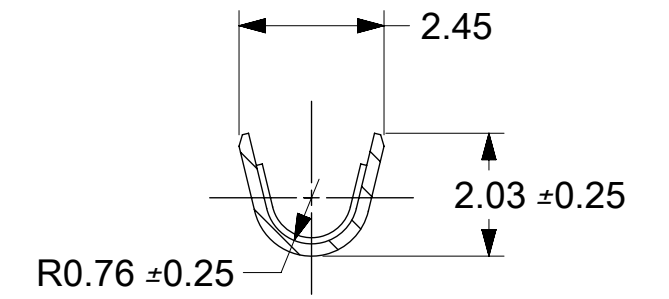


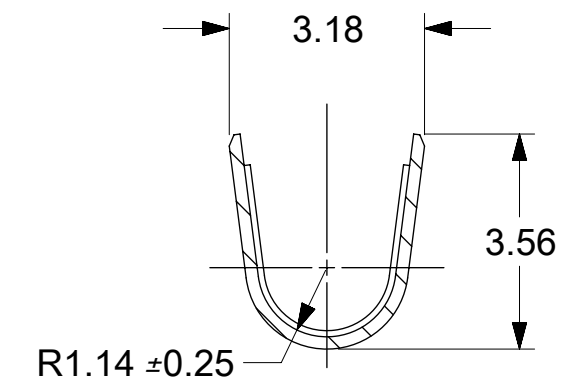
CHAIN FORM
SCALE: 4:1



SECT. "A-A"



SECT. "B-B"



SECT. "C-C"

注記 NOTES:

一般公差 : ±0.4
GENERAL TOLERANCES : ±0.4

1. MATERIAL: BRASS
2. FINISH: SEE CHART
3. PRODUCT SPECIFICATION: PS-02-06
4. PACKAGING INFORMATION: 15600000-PK
5. TERMINAL FOR USE WITH (1.57)/.062 DIA. SERIES HOUSINGS AND WILL ACCEPT 18 THRU 24 AWG WIRE WITH 1.5/3.1 INSULATION DIA.
6. PARTS CONFORM TO CLASS B REQUIREMENTS OF COSMETIC SPECIFICATION PS-45499-002.

材料 MATERIAL	黄銅 BRASS	0.2 t
仕上げ FINISH	—	
適用電線範囲 WIRE RANGE	AWG# 18-#24	
被覆外径 INS. RANGE	∅ 1.5~3.1	

SYMBOLS	THIS DRAWING CONTAINS INFORMATION THAT IS PROPRIETARY TO MOLEX ELECTRONIC TECHNOLOGIES, LLC AND SHOULD NOT BE USED WITHOUT WRITTEN PERMISSION		
	DIMENSION UNITS	SCALE	CURRENT REV DESC: UPDATE GRAPHICS
▽ = 0	mm	8:1	EC NO: 632666 DRWN: MKIPPER 2019/03/06 CHK'D: DSTEIER 2020/02/26 APPR: FSMITH 2020/06/05 INITIAL REVISION: DRWN: NAKAMURAA 2008/12/16 APPR: NUKITA 2009/01/15
▽ = 0	GENERAL TOLERANCES (UNLESS SPECIFIED)		
▽ = 0	ANGULAR TOL ± °		
▽ = 0	4 PLACES ±		
▽ = 0	3 PLACES ±		
▽ = 0	2 PLACES ±		
▽ = 0	1 PLACE ±		DRWN: NAKAMURAA 2008/12/16 APPR: NUKITA 2009/01/15
▽ = 0	0 PLACES ±		
▽ = 0	DRAFT WHERE APPLICABLE MUST REMAIN WITHIN DIMENSIONS	THIRD ANGLE PROJECTION	DRAWING SERIES
			C-SIZE 1560

銅 (0.5 μm MIN.) 下地 錫 (0.9 μm MIN.) TIN (0.9 μm MIN.) OVER COPPER (0.5 μm MIN.)	39-00-0327	1560TL	バラ端子 LOOSE
メッキ PLATING	EDP.NO.	ENG.NO.	連鎖端子 CHAIN 形状 FORM

molex

0.62 DIA CRIMP MALE TERM

PRODUCT CUSTOMER DRAWING

DOCUMENT NUMBER	DOC TYPE	DOC PART	REVISION
SD-1560-001	PSD	001	M

MATERIAL NUMBER	CUSTOMER	SHEET NUMBER
SEE CHART	GENERAL MARKET	1 OF 1