

## DATASHEET

S01.01.01.133 \_MAXWELL-16-20

### High Bay Light Lens:

~20° extra narrow beam .

Designed for stadium, area and canopy lighting.

50 x 50 mm 4X4 arrays for 3030 size LED packages.

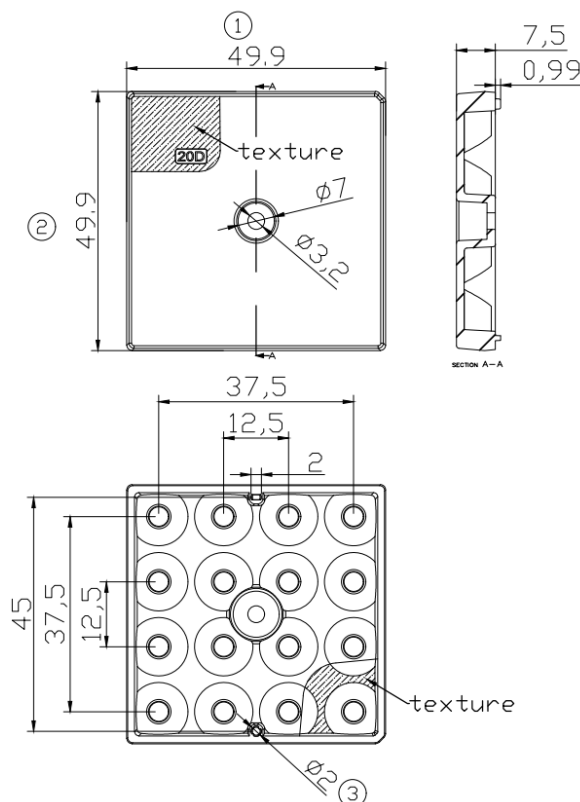
#### 1.General Information

- ✓ Lens Material : Optical PC
- ✓ Size : 50X50MM
- ✓ FWHM : 20°
- ✓ Design LED : Luxeon 3030
- ✓ Compatibility : 2835/3030/3535
- ✓ Efficiency : 93%
- ✓ Fasten : Screw
- ✓ IP class : N/A
- ✓ Zhaga : YES
- ✓ RoHS : YES
- ✓ Color : Clear



#### 2.MECHANICAL SPECIFICATION

UNIT : mm



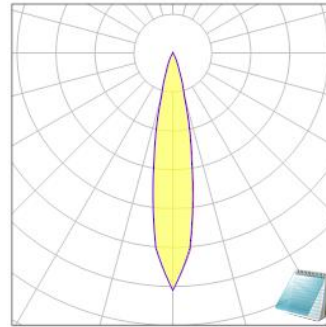
## 3. OPTICAL RESULTS

### 1) PHOTOMETRIC DATA(SIMULATED):

**SAMSUNG**

LED model LM 302D  
 Light colour White  
 FWTM H37.8°,V37.7°  
 FWHM H18.8°,V19°  
 Required components:

Glass

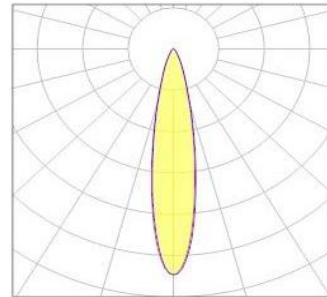


### 2) PHOTOMETRIC DATA(MEASURED):

**LUMILEDS**

LED model LUXEON 3030 Square LES  
 Light colour White  
 FWTM H44.7°,V44.0°  
 FWHM H19.9°,V19.8°  
 Required components:

Glass



## 4.Usage and Maintenance

- 1) If necessary, clean lenses with mild soap, water and soft cloth.
- 2) Never use any commercial cleaning solvents on lenses, like alcohol.
- 3) Please handle lens with wearing gloves, skin oils may damage lens or its optical characteristic.

## 5.Note

Please test the data again before using. The chart data is for reference only.