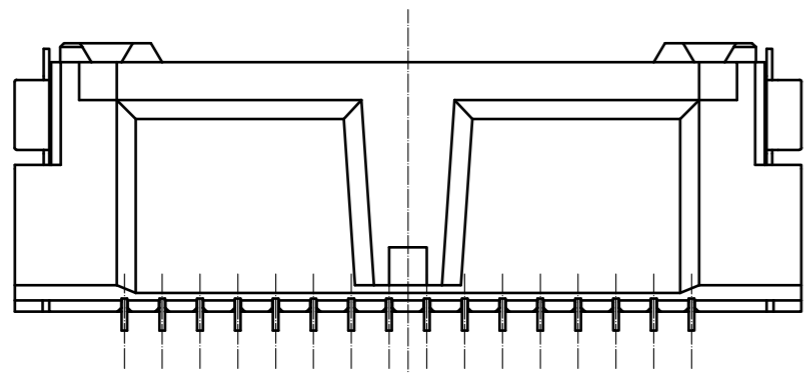
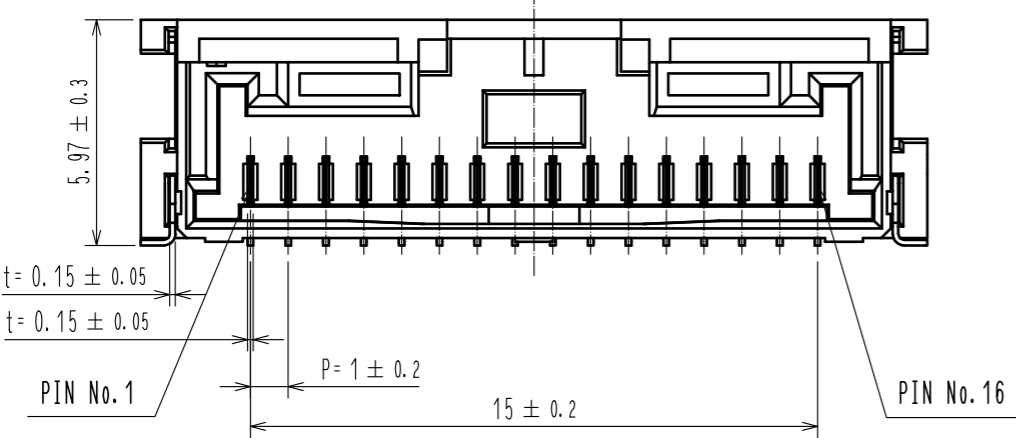
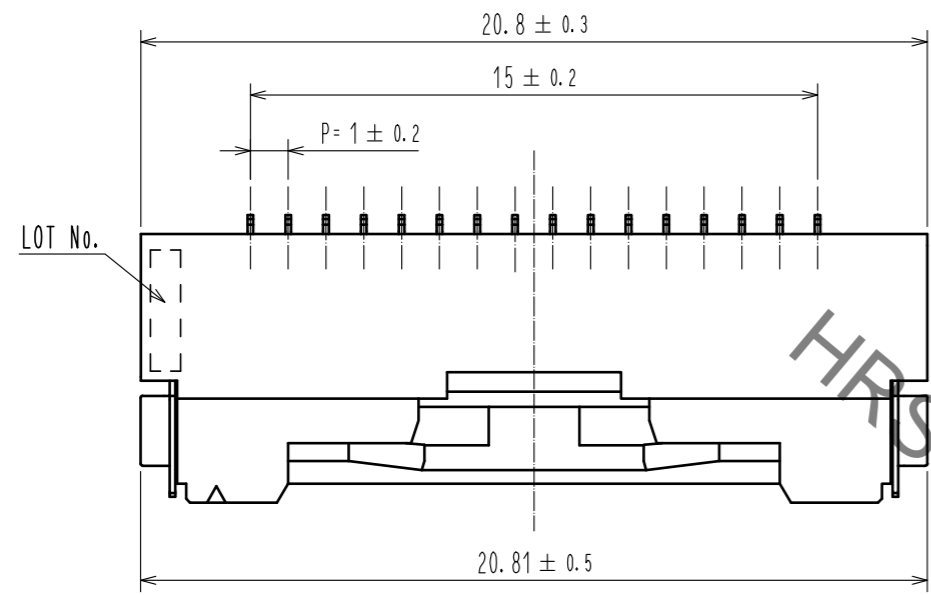
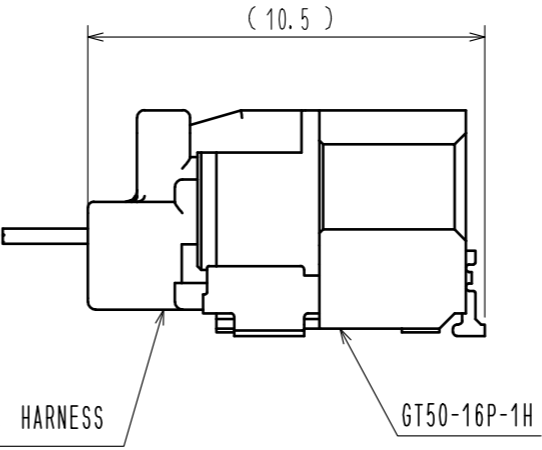


Mar.1.2022 Copyright 2022 HIROSE ELECTRIC CO., LTD. All Rights Reserved.  
In case of consideration for using Automotive equipment / device which demand high reliability, kindly contact our sales window correspondents.

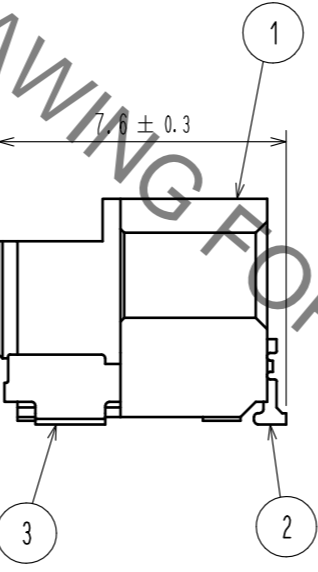
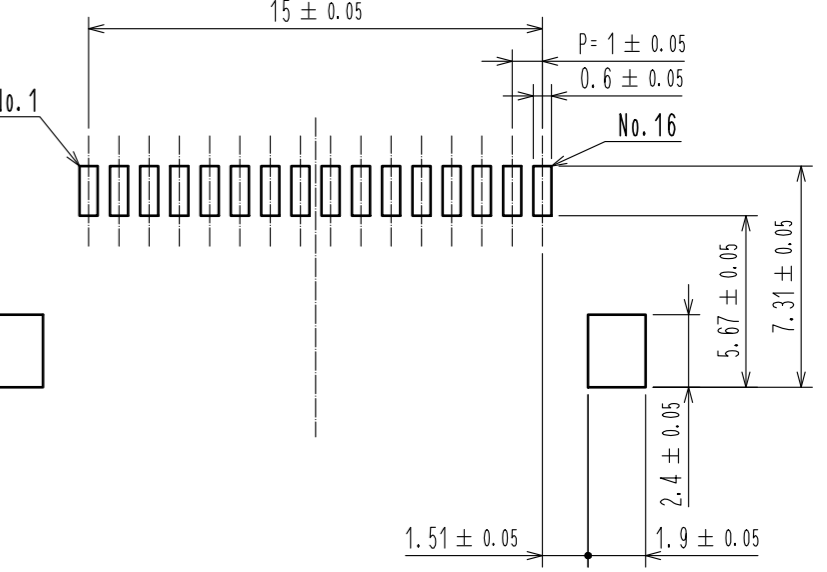
ELV, RoHS COMPLIANT



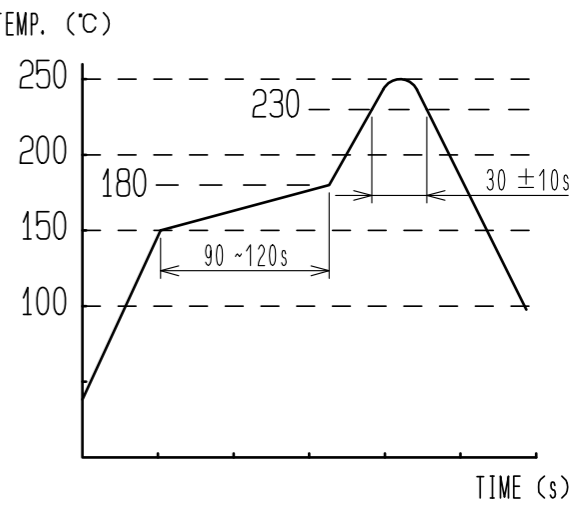
MATED CONNECTORS (FREE)



RECOMMENDED PCB PATTERN (FREE)



- NOTE 1. RECOMMENDED TEMPERATURE PROFILE FOR REFLOW (REFER TO RIGHT FIG.)  
USED REFLOW SYSTEM : IR IN THE AIR OR NITROGEN  
NO. OF CYCLES : 2 MAX  
PEAK : 250°C  
OVER 230°C : 20~40s  
PREHEAT : 150~180°C 90~120s
2. TEMPERATURE FOR SOLDERING IRON : 280~300°C WITHIN 2s
3. CO-PLANARITY : 0.1mm MAX
4. RECOMMENDED SOLDER THICKNESS : 0.10mm



3	BRASS	TIN PLATING	6	PS	
2	BRASS	Au PLATING	5	POLYESTER	
1	LCP	BLACK	4	POLYSTYRENE	
NO.	MATERIAL	FINISH . REMARKS	NO.	MATERIAL	FINISH . REMARKS
UNITS	mm	SCALE	5 : 1	COUNT	1
DESCRIPTION OF REVISIONS			DESIGNED	CHECKED	DATE
DIS-T-00010987			YT. TAKANASHI	OM. MIYAMOTO	20210903
APPROVED : HK. UMEHARA		20201224	DRAWING NO. EDC-392595-00-00		
CHECKED : OM. MIYAMOTO		20201224	PART NO. GT50-16P-1H		
DESIGNED : YT. TAKANASHI		20201222	CODE NO. CL0760-1012-0-00		
DRAWN : YT. TAKANASHI		20201222	1/2		

Mar.1.2022 Copyright 2022 HIROSE ELECTRIC CO., LTD. All Rights Reserved.  
In case of consideration for using Automotive equipment / device which demand high reliability, kindly contact our sales window correspondents.

PACKING STYLE (FREE)

REEL DIMENSION

IDENTIFICATION TAG

φ1.5 送り穴奥

PACKING STYLE DRAWING

PULLING OUT DIRECTION

PRODUCTS DIRECTION

FIXING EMBOSSED CARRIER TAPE

400mm MIN  
EMPTY POCKETS

160mm MIN  
EMPTY POCKETS

(50.4 : WIDE OF OUTSIDE)

φ1.5 CARRIER HOLES AT FRONT

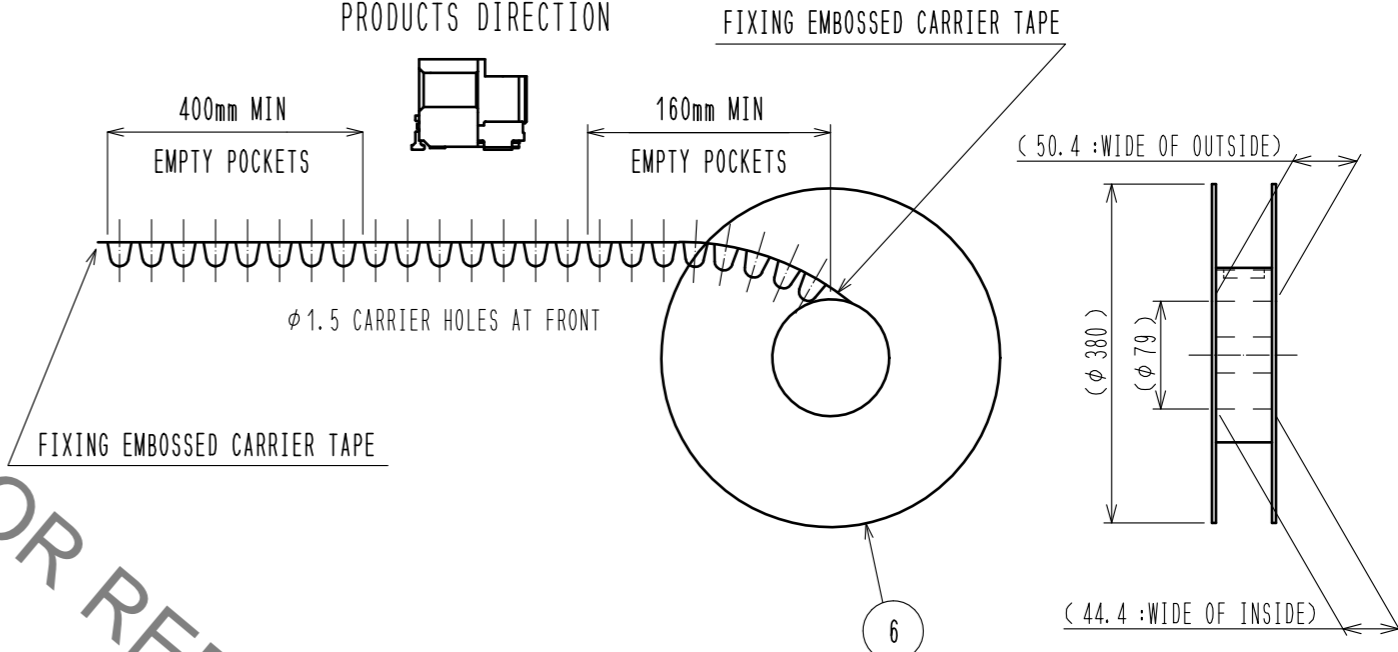
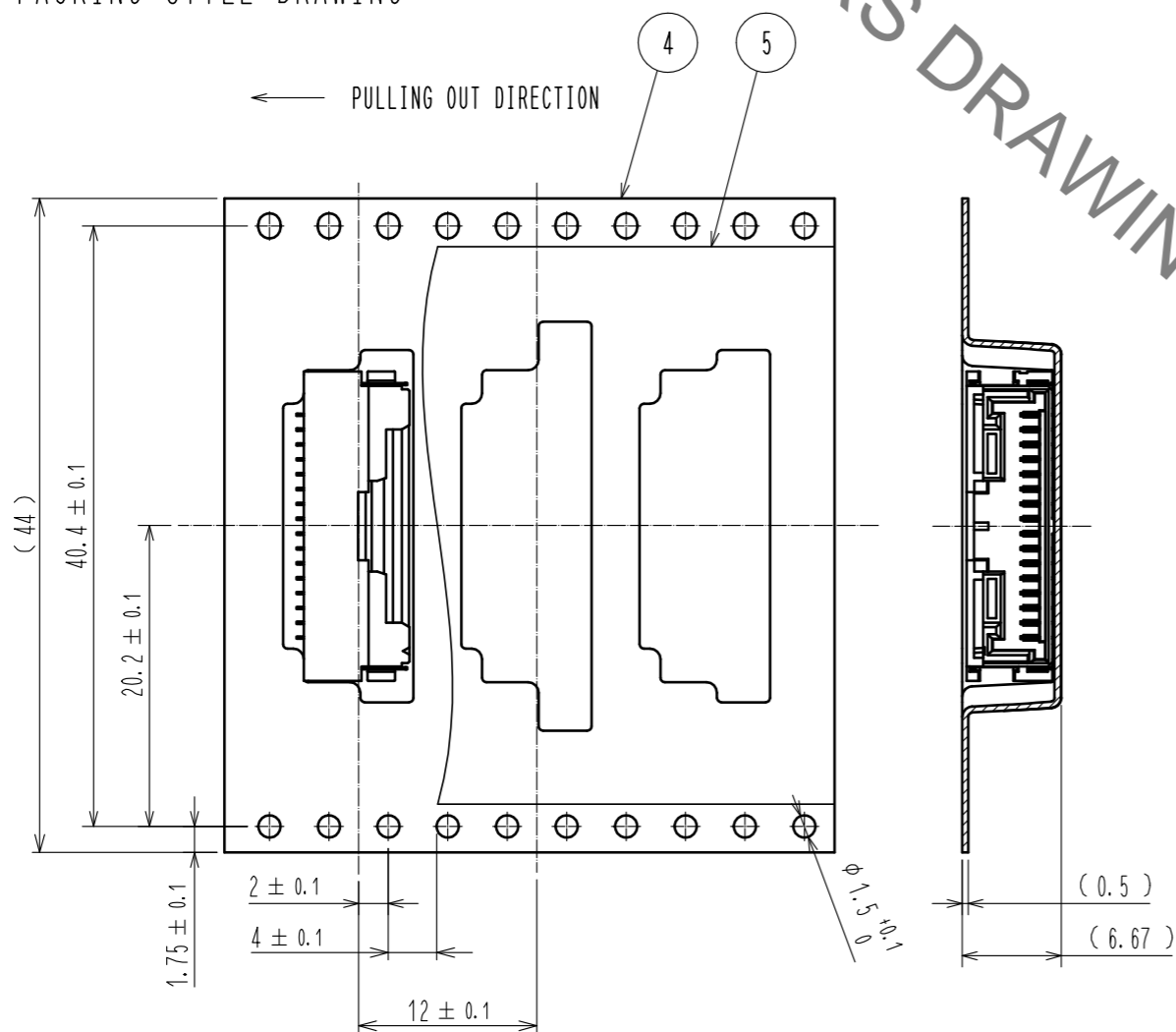
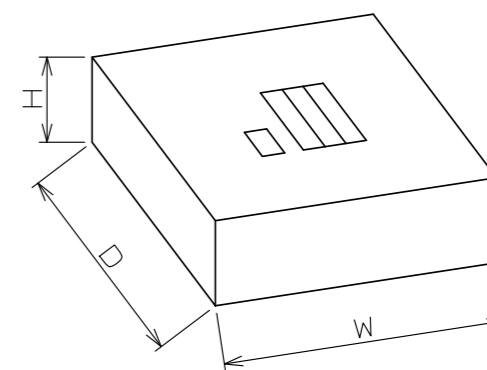
FIXING EMBOSSED CARRIER TAPE

(44.4 : WIDE OF INSIDE)

1000 PCS/REEL

CARDBOARD DIMENSION

W=(405) (mm)  
D=(405) (mm)  
H=(51) (mm)



HRS DRAWING FOR REFERENCE

<b>HRS</b>	DRAWING NO.	EDC-392595-00-00	2/2
	PART NO.	GT50-16P-1H	
	CODE NO.	CL0760-1012-0-00	