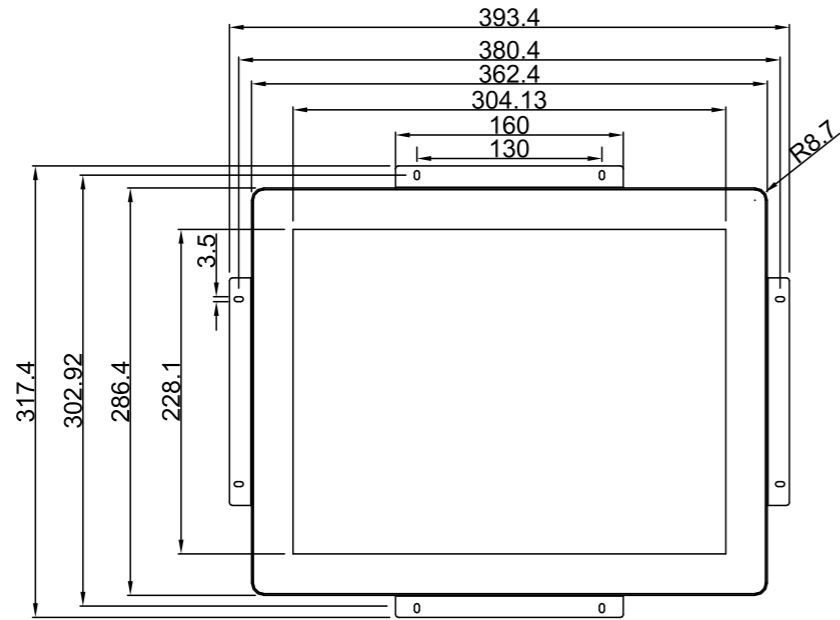


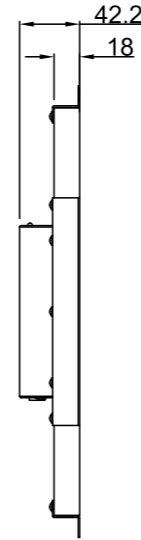
Ver.	Modify No.	Details	Area	P.I.C	Date

未注公差	金属	塑胶
0~6	±0.1	±0.05
>6~30	±0.1	±0.1
>30~120	±0.15	±0.15
>120~400	±0.2	±0.2
>400	±0.3	±0.3
角度	±0.5°	±0.5°
钣金未注折弯内角R<0.5		

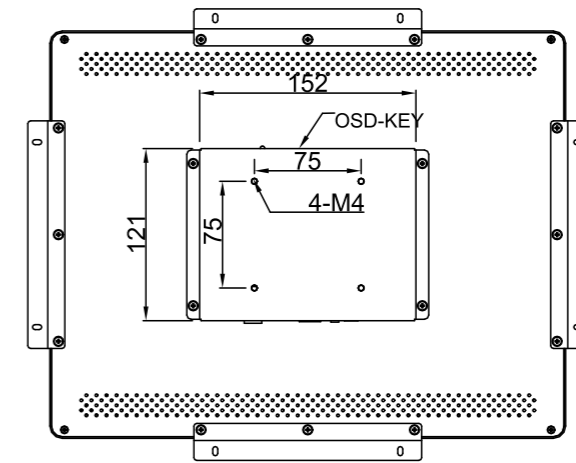
Front View



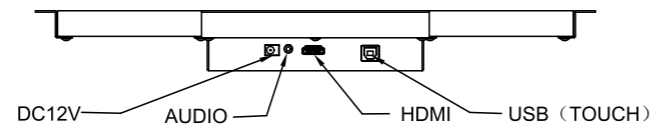
Side View



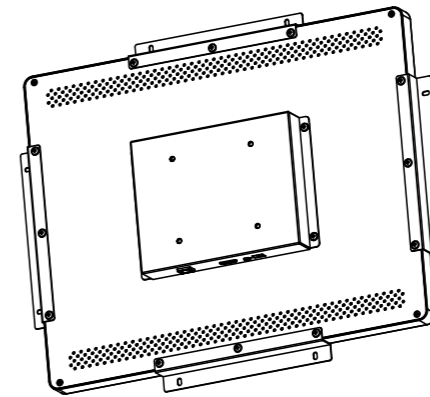
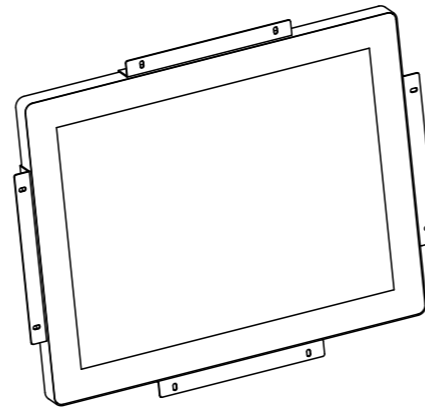
Back View



↑ A



A View



- Technical Datasheet:
1. LCD: DV150X0M-N10
  2. TP Controller IC: ILI2510
  3. Surface Hardness: ≥6H
  4. Light Transmittance: ≥85%
  5. Working Temperature: -20℃~+70℃, ≤85%RH;
  6. Storage Temperature: -20℃~+70℃, ≤85%RH;
  7. All materials used conform to RoHS standards

Part No.	IPD-ITF-ETM-15-SN08			
Product Name:	15 inch Touch Monitor Module	Drawing No.	TM150240407SN08	
		Project Code.	TM150SN08	
Business Unit:	SNT-IPD	Period Mark	View Angle	Ratio
		A		1:1
Workmanship:	Yong.Xin	BOM Code	9.03.150.01.0101	
Standardization:	Link.Chen	Product Series	IPD-ETM	
Released by:	Rocky.Liu		Page 1	Total 1 Page
		思诺泰科创电子(苏州)有限公司 SINOTECHNICS INC.		