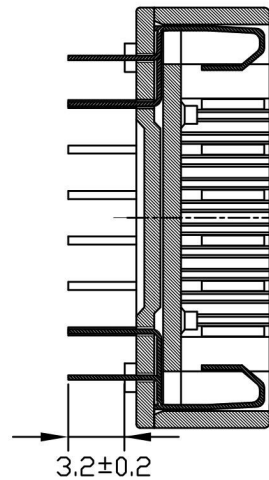
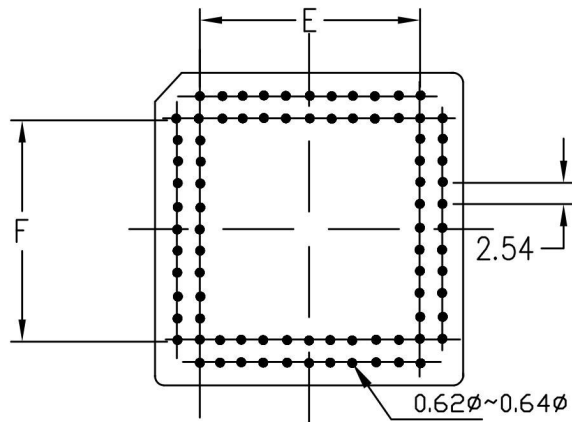


Insulator Material:PBT & 30% Class Fiber (UL 94V-0)  
 Contact Resistance:30m Ohm MAX at DC 100mA  
 Current Rating:1 AMP  
 Dielectric Withstanding Voltage:AC 500V For 1 minute  
 Temperature Rating:-55°C ~ + 85°C  
 Contact Material:Phosphor Bronze

NO OF CONTACT	A±0.15	B±0.15	C±0.15	D±0.15	E±0.15	F±0.15
20 <sub>PBT</sub>	15.50	15.50	5.08	5.08	5.08	5.08
28 <sub>PBT</sub>	18.04	18.04	7.62	7.62	7.62	7.62
32 <sub>PBT</sub>	18.04	20.54	7.62	10.16	7.62	10.16
44 <sub>PBT</sub>	23.48	23.48	12.70	12.70	12.70	12.70
52 <sub>PBT</sub>	25.88	25.88	15.24	15.24	15.24	15.24
68 <sub>PBT</sub>	31.66	31.66	20.32	20.32	20.32	20.32
84 <sub>PBT</sub>	36.66	36.66	25.40	25.40	25.40	25.40



APPD. 核准 Betty DWG. 製圖 Abby DATE 制表日 2016/02/16		RoHS Compliant HSM 玄茂科技股份有限公司 HSIUAN MAO TECHNOLOGY CO., LTD.		PART NAME 品名 PLCC SOCKET DIP TYPE 2.54mm XXP TIN PLATING PBT MATERIAL BLACK COLOR ROHS	
SCALE 比例 參考 UNIT 單位 MM PAGE 張數 1 OF 1		TOLERANCE 容許公差 .0 ± 0.30 .00 ± 0.20 ANG. ± 3° SIZE 紙張尺寸 A 4 REV. 版次 B		PART NO. 料號 C0101-XXTB0000R	