

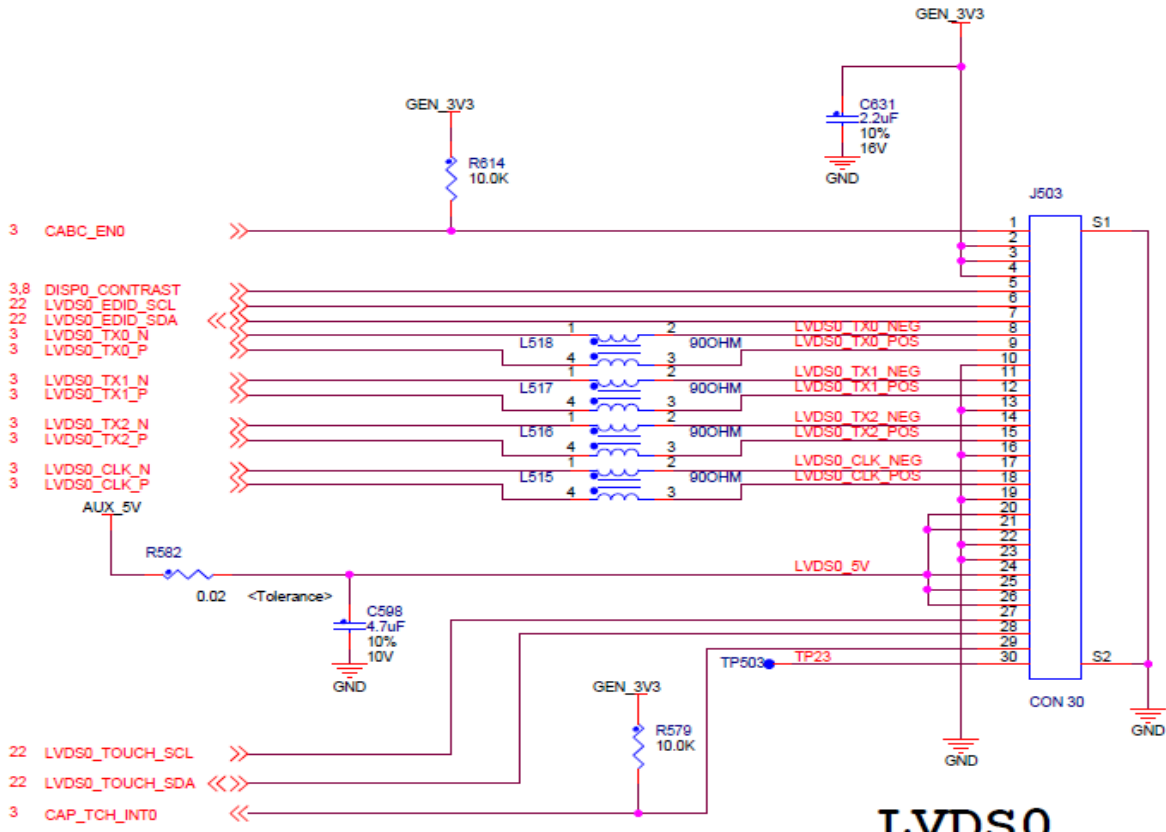
Part number	LVDS-DF19-20S-DF19G-30S-400
Type	LVDS cable between G084SN05 V9 and StartKit Sabra (Freescale)
Length	400 mm
Connector 1	DF19-20S or compatible
Connector 2	DF19G-30S or compatible

Connector 1	
DF19-20S	
1	Vcc
2	Vcc
3	GND
4	GND
5	DA0-
6	DA0+
7	GND
8	DA1-
9	DA1+
10	GND
11	DA2-
12	DA2+
13	GND
14	CLK-
15	CLK+
16	GND
17	MODE
18	NC
19	DA3-
20	DA3+

Connector 2	
DF19G-30S	
1	Vcc
2	Vcc
3	
4	
5	
6	
7	
8	DA0-
9	DA0+
10	GND
11	DA1-
12	DA1+
13	GND
14	DA2-
15	DA2+
16	GND
17	CLK-
18	CLK+
19	GND
20	
21	
22	GND
23	MODE
24	
25	
26	
27	
28	
29	
30	

Description :	MCIMX6Q-SDB
Coonector on the board:	DF19G-30P-1H(56)

LVDS



Place L515, L516, L517 and L518 CMCs close to J403 connector.

LVDS0